

MX6[™]

Important Information

WARNING

RISK OF SUCTION ENTRAPMENT HAZARD, WHICH, IF NOT AVOIDED CAN RESULT IN SERIOUS INJURY OR DEATH. Ensure that your vacuum suction fittings installed in your pool for connection of your suction-side pool cleaner are certified as being compliant with applicable safety standards such as IAPMO SPS 4. Do not block the suction fittings with any part or your body. Do not expose your hair, loose clothing, jewelry, etc. to any suction outlet fittings, hose openings, or the bypass valve opening in the pool/spa.



Read owner's manual completely before operating the cleaner.



Remove cleaner before entering the pool.



Do not operate outside of the pool.



Do not let children play with cleaner.

Notice for Vinyl Liner Pools: Before installing your pool cleaner, examine the interior of your pool carefully. If the vinyl liner is brittle or has stones, wrinkles, roots or metal corrosion in contact with the underside of the liner, or has damage to the base material or supporting walls, do not install the cleaner before having a qualified professional perform the necessary repairs or liner replacement. **Zodiac Pool Systems, Inc. (Zodiac) will not be responsible for liner damage caused by a cleaner which is in disrepair, pattern removal from a vinyl liner, or a cleaner used in a pool having an aged or deteriorated liner.** Please see Limited Warranty.

- To help prevent suction entrapment accidents, wall vacuum fittings should have a safety vac lock installed. Contact your builder or retail pool professional for details.
- Clean the skimmer basket, pump basket and pool filter before installing the cleaner and on a regular basis thereafter.
- Always disconnect the cleaner from the pool wall or skimmer before cleaning or backwashing the pool filter. After cleaning or backwashing, let the filtration system run for at least five (5) minutes before re-connecting the cleaner.
- Remove the cleaner from the pool before chemical or shock treatments. Wait a minimum of four (4) hours after super chlorination before re-installing the cleaner.

To ensure prompt warranty service, should it be required, please:

- Complete and return the Zodiac Warranty Card.
- Record your purchase information.
- Attach a copy of your purchase receipt to this document.

Date of Purchase: _____ Purchased From: _____

Serial Number (located under the lid) _____

If service is required, simply present your manual with the attached receipt to a registered Zodiac warranty service provider.

For customer service or support:

Zodiac Pool Systems, Inc. 2620 Commerce Way, Vista, CA 92081-8438

1-800-822-7933

Zodiac Pool Systems Canada, Inc.

2115 South Service Road West, Unit 3, Oakville ON L6L 5W2 Canada

1-888-647-4004

Introduction

Congratulations on the purchase of your new MX6 automatic pool cleaner. Built with proven technology, the MX6 is designed and manufactured for easy installation, and years of carefree operation. Before installing the cleaner, please take a few moments to become familiar with its components and to review the items listed under Important Information.

Like most mechanical devices, the MX6 requires periodic adjustments, routine maintenance, and the replacement of certain hardworking parts. Be sure to have the MX6 checked occasionally by your local dealer or service center.

Always insist on genuine Zodiac replacement parts. Non-Zodiac parts are not made to our specifications. They may have an adverse effect on the operation of your MX6 or may even damage it.

MX6 Components (Figure 1)

1. Cleaner Body
2. Flow Regulator Valve
3. Valve Cuff
4. 45° Elbow
5. 45° Elbow, Extended
6. Flowkeeper™ Valve
7. Leader Hose Section with Hose Float
8. Twist-Lock Hose Section (x 9)

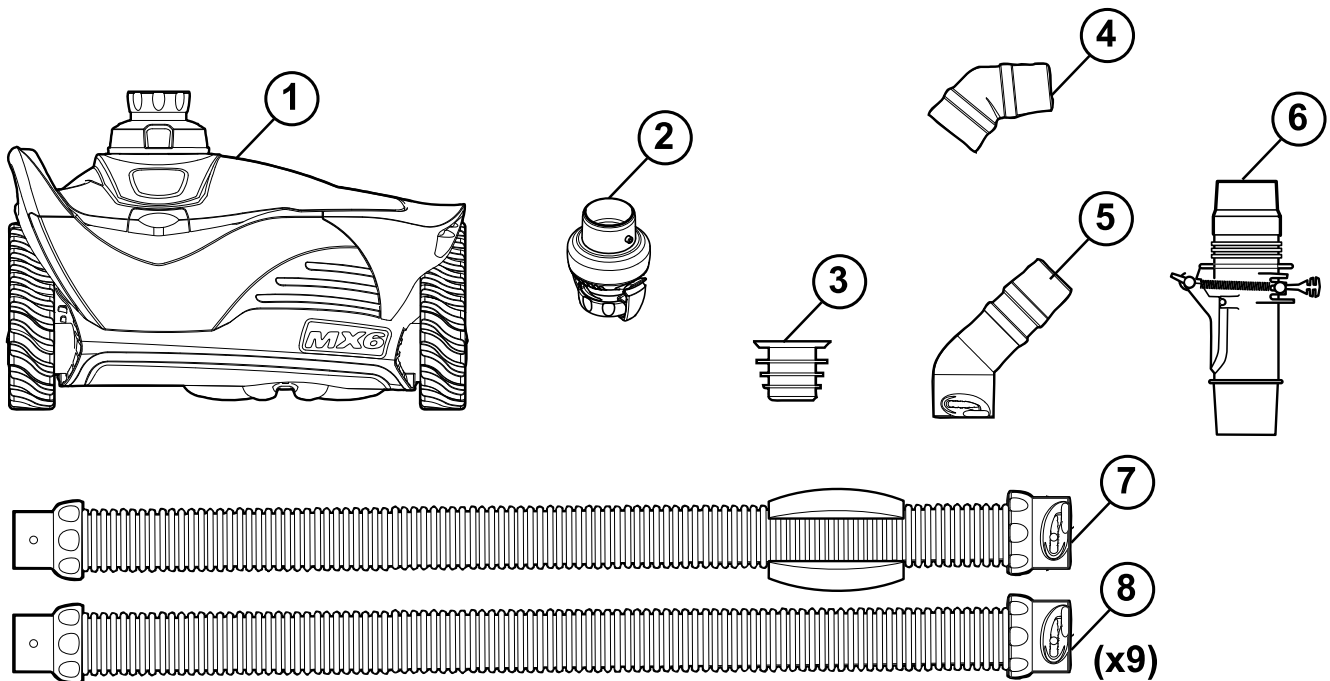


Figure 1

Installation

Prepare the Pool

1. Turn off the pool filter pump.
2. Manually vacuum the pool, and make sure the pool filter and pump basket are clean.
3. Close the pool main drain line.
4. Aim the return line fittings down.

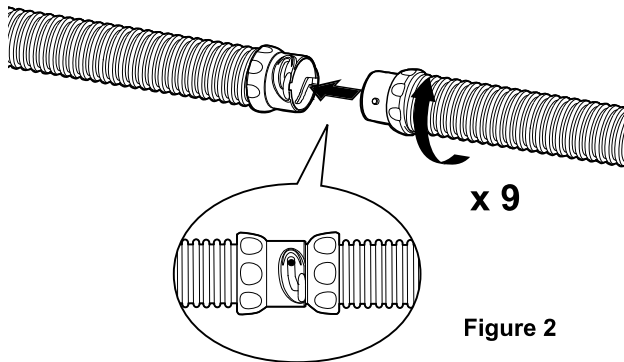
Assemble and Connect the Hose

WARNING

RISK OF SUCTION ENTRAPMENT HAZARD, WHICH, IF NOT AVOIDED CAN RESULT IN SERIOUS INJURY OR DEATH. Ensure that your vacuum suction fittings installed in your pool for connection of your suction-side pool cleaner are certified as being compliant with applicable safety standards such as IAPMO SPS 4. Do not block the suction fittings with any part or your body. Do not expose your hair, loose clothing, jewelry, etc. to any suction outlet fittings or hose ends in the pool/spa.

Assemble hose sections:

Push and twist the connector on each hose section until they lock into position with clicking sound. Hose cuffs have three (3) connection positions. Any of the three (3) positions are sufficient for an air-tight seal.



Connect to a skimmer:

The FlowKeeper™ valve must always be used in single skimmer installations. The valve regulates flow to ensure the pool pump and cleaner run properly.

If the pool has more than one skimmer, connect the hose to the one closest to the pump.

The parts used to connect the hose and the sequence in which they are installed depends on the type of skimmer (Figure 3).

1. Remove the skimmer basket.
2. Connect the valve cuff, FlowKeeper valve and the 45 degree elbow together.
3. Twist lock the male end of the hose into the end of the 45 degree elbow.
4. Insert the skimmer pipe with arrow pointing down.

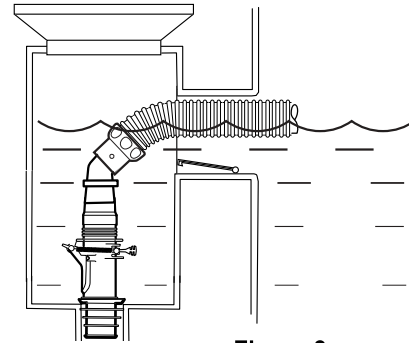


Figure 3

Connect to a dedicated suction line:

1. Twist lock the male end of the hose into the large end of the extended 45° elbow.
2. Connect elbow to the installed Safety Vac wall fitting (sold separately).
3. Angle the elbow upward towards the water surface (Figure 4).

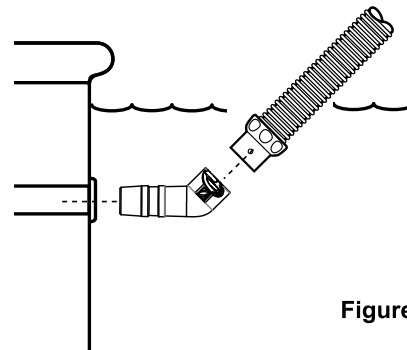


Figure 4

Determine correct hose length for your pool:

1. Measure enough hose to just reach the farthest point of the pool from the skimmer or dedicated suction line. Remove any additional hose sections, as necessary. See (a) in Figure 5, below.
2. Next attach the leader hose at to the end where the cleaner head will be connected. See (b) in Figure 5, below. The extra length allows the cleaner to reach the far point in the pool if a loop forms while in operation.

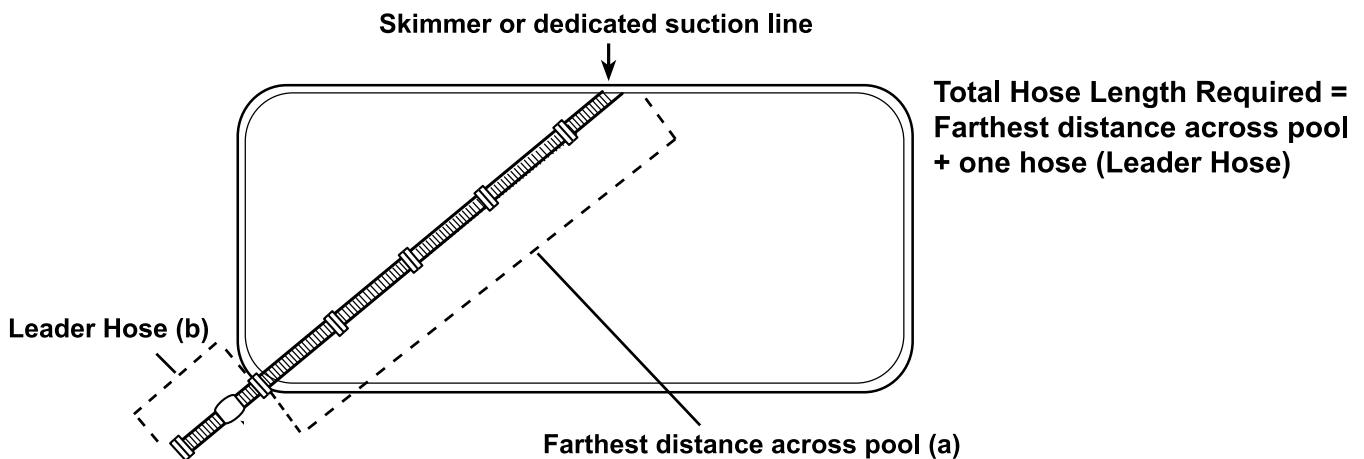


Figure 5

Connect the Cleaner

1. Remove the instruction decals from the hose and flow regulator valve.
2. Attach the flow regulator valve to the leader hose. Leader hose is the hose section with foam float pre-attached (Figure 6).
3. Submerge the cleaner and flood it with water.
4. When bubbles stop coming from the cleaner, connect the hose by pushing the flow regulator valve onto the cleaner (Figure 7).
5. Allow the cleaner to sink to the bottom of the pool.
6. Temporarily disconnect the hose from the skimmer or dedicated vacuum line.
7. Turn on the pool filter pump.
8. Flood the hose with water by placing the end in front of one of the pool water return inlets.
9. Turn off the pool filter pump.
10. Reconnect the hose to the skimmer or dedicated vacuum line.

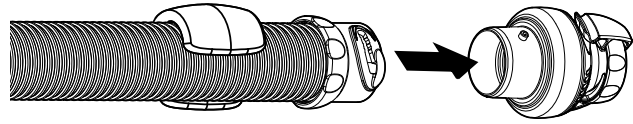


Figure 6

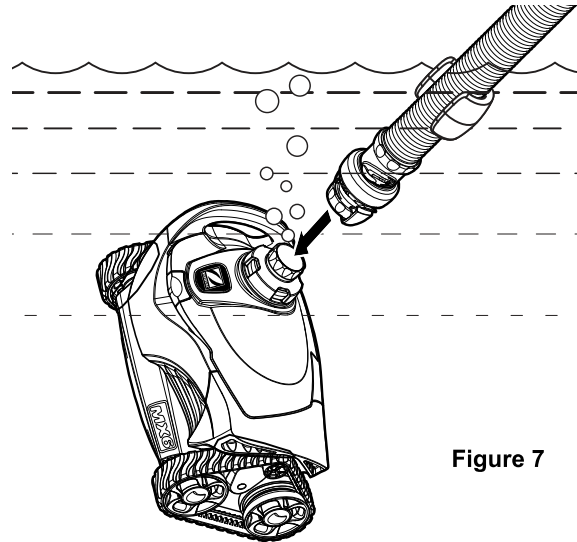


Figure 7

Test for Proper Flow

⚠ WARNING

To avoid serious injury, make sure to turn off the suction pump that is responsible for the pool cleaner operation. Do not expose your hair, loose clothing, jewelry, etc. to the open end of the hose.

The flow regulator valve is designed to consistently limit high flow of water through the cleaner. When flow is correct, the cleaner components are less susceptible to damage and the life of the cleaner can be extended. Wheel rotation speed is a good indicator of how water is flowing through the cleaner. By checking for proper wheel rotation timing, you can verify the MX6 is operating at maximum efficiency.

Time wheel rotations:

1. Turn on the pool filter pump.
2. Obtain a stopwatch or timer.
3. Leaving the pump on and water flowing through the cleaner, bring the MX6 to the surface of the water and hold it fully submerged just below the water line.
4. Locate the yellow wheel speed indicator inside the wheel rim on the handle side of the cleaner (Figure 8).

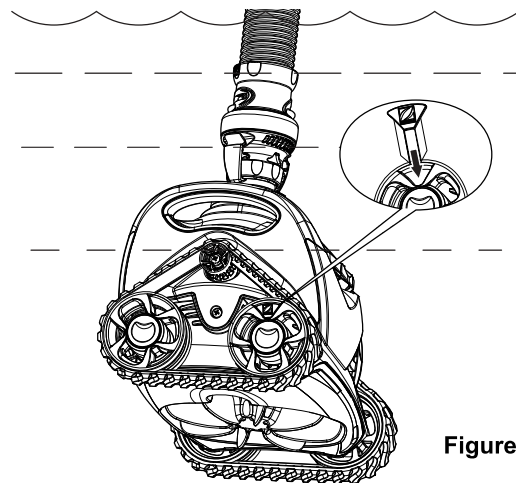


Figure 8

5. Begin timing how long it takes for the wheels to rotate 10 times.
6. Note how many seconds for 10 rotations. If the count is within 20 - 25 seconds, flow to the cleaner is adequate and no adjustment is necessary.

Adjust flow if necessary:

1. Determine if the flow to the cleaner is adequate or should be adjusted. If the count is:
 - • 26 - 50 seconds □ -- Increase Flow (+)
 - • 10 - 19 seconds □ -- Decrease Flow (-)
2. Use the FlowKeeper™ valve setting up or down, or adjust the valves at the equipment pad to increase or decrease flow to the cleaner as necessary (Figure 9).

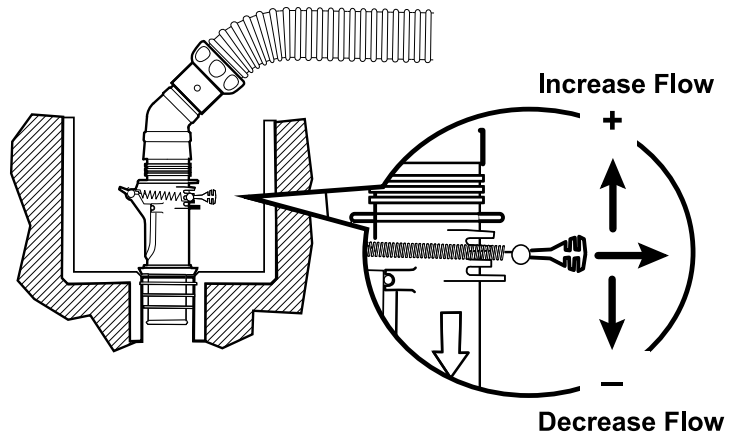


Figure 9

