

Job: \_\_\_\_\_  
 Engineer: \_\_\_\_\_  
 Contractor: \_\_\_\_\_  
 Prepared By: \_\_\_\_\_ Date: \_\_\_\_\_  
 Model: \_\_\_\_\_ Indoor/Outdoor

# ASME Digital Low NOx

## Gas Pool Heaters

Models B-R207A – B-R407A

- ▶ **82% Efficiency**
- ▶ **ASME Code Bronze Headers**
- ▶ **ASME Code Copper-Fin Tube**
- ▶ **75 lb. Pressure relief valve**
- ▶ **Small footprint**
- ▶ **Unitherm Governor Anti-Condensation Control**
- ▶ **Internal Bypass for High Flow Rates (up to 125 gpm)**
- ▶ **Indoor/Outdoor**
- ▶ **Low NOx;  $\leq 55\text{ppm}$**



Shown with outdoor top



Proudly Assembled in the USA

### Heat Exchanger

- ASME HLW Stamped; 100 PSIG MAWP
- National Board Listed
- Bronze headers
- Finned tubing
  - Copper (standard)
  - Cupronickel (optional)
- ASME Steel tube sheet
- Silicone O-Rings
- Fixed high limit, manual reset 160°F
- Fixed high limit, auto reset 135°F
- 75 PSIG Pressure relief valve
- Water connections
  - Right hand (standard)
  - Left hand (optional - field change)
- Flow configuration (two-pass)

### Controls

- 115/230V, 60Hz, 1 Ph Power Supply
- 115/230/24V Transformer
- 100% Pilot shut-off
- Electronic, Intermittent Ignition Pilot (IID)
- High limit control
- On/Off switch
- Flame rollout switch
- Water pressure switch
- Dual electronic temp sensor
- Digital display with diagnostics

### Gas control train

- Natural gas
- Combination control valve
- On/off firing
- ANSI Z21.56 Design Certified

### Construction

- Front controls
- Stainless steel burners
- Polytuf powder coat finish
- Indoor/outdoor
- Can be installed on combustible surfaces

### Venting

- Outdoor stackless top (standard)
- Indoor draft diverter, loose (optional)
- D-2 Power vent indoor, loose

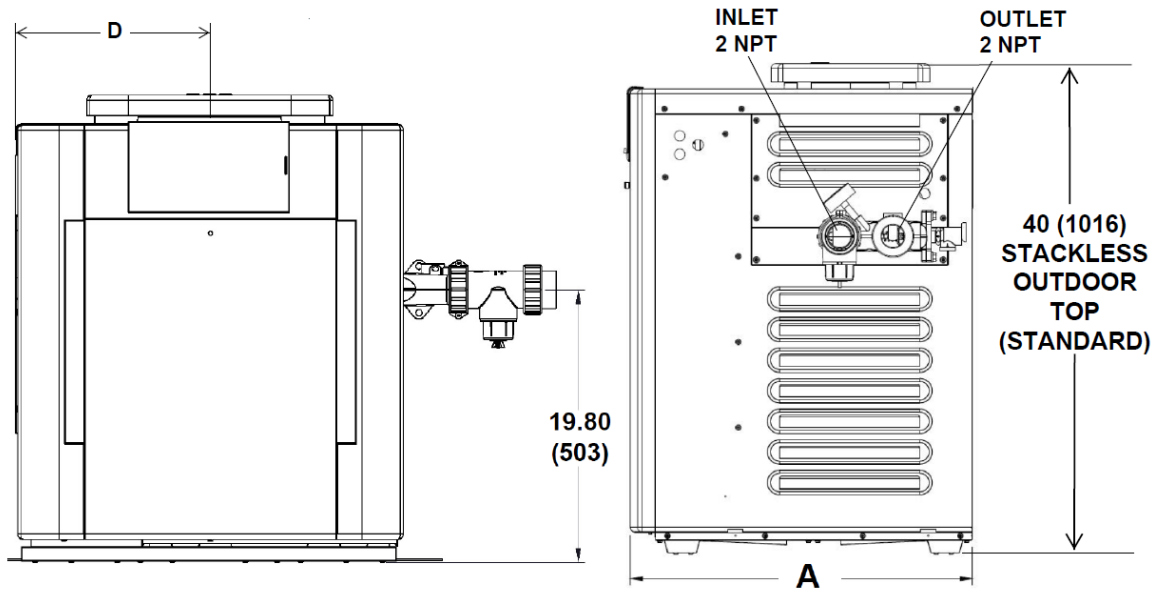
### Other options

- F-2 Flow switch with T&P gauge
  - MPT connection
  - Flanged connection
- PoolStat cover/lock kit
- X-10 Restraint bracket (Florida code requirement)
- Hose adapter (model 406 only)



# ASME Digital Low NOx Gas Pool Heaters

Model \_\_\_\_\_



Heater Model	MBTUH (kW) Input	Dimensions in. (mm)					Shipping Weights lbs. (kg)	
		Cabinet Width (A)	Indoor Drafthood Flue Dia.	Height with Indoor Drafthood	Indoor Drafthood Height	Gas Conn.	With Stackless Top	With Indoor Drafthood
B-R207A	199.5 (58.47)	20 (508)	6 (152)	55-5/8 (1413)	11-3/4 (298)	3/4 (19)	200 (91)	12 (5)
B-R267A	266.0 (77.96)	23 (584)	7 (178)	56 (1422)	11 (279)	3/4 (19)	220 (98)	15 (7)
B-R337A	332.5 (97.45)	26 (660)	8 (203)	57 (1448)	10-5/8 (270)	3/4 (19)	240 (109)	17 (8)
B-R407A	399.0 (116.94)	29 (737)	9 (229)	58-1/2 (1486)	12-1/8 (308)	3/4 (19)	260 (118)	20 (9)

**Notes:**

1. Ratings are for natural gas and elevations up to 5,000 feet above sea level. For elevations over 5,000 feet, consult the factory.
2. Manufactured under Patent No. 3,623,458.