

VS FloPro 1.3 HP
DUAL-VOLTAGE VS PUMP



Jandy[®]

VALUE AND EFFICIENCY



TRADE SERIES
EXCLUSIVE

VS FLOPRO[™]
VARIABLE-SPEED PUMP

Our Most Affordable Variable-Speed Pump

The Jandy® VS FloPro™ 1.3 HP makes no compromises when it comes to performance. With a compact size and installation-friendly features, it's the ideal replacement for older single-speed pumps.

- A Superior Pump for Simple Pools**
 Ideal for use as a filtration pump on smaller pools or to power basic water features.
- 115v/230v Dual Voltage**
 Skip expensive mains power rewiring with the ability to operate with either 115v or 230v power sources with identical hydraulic performance at both voltages.
- Easy to Drop In**
 Included adjustable base enables precise alignment with critical plumbing dimensions to easily replace popular Pentair® and Hayward® single-speed and variable-speed pumps.
- Fast, Simple, Full-Featured Control**
 Programming a pump has never been so fast and easy. The optional preinstalled SpeedSet™ controller with FlyWheel™ Navigation makes pump setup and maintenance a breeze.

SpeedSet Controller Preinstalled on Model VSFHP130DVS



- Total Programmability**
 Works with the following Jandy control systems for total programmability and customization:
 - SpeedSet™ Controller (preinstalled option)
 - iQPUMP01 with iAquaLink® App Control
 - AquaLink® Automation Systems
- Additional Features**
 - 2" unions included or utilize 2" internal threads
 - Easy Controller Setup auto detects connection to an automation system or a traditional controller, eliminating the need to adjust settings manually
 - Totally Enclosed Fan Cooled Motor (TEFC) extends pump life
 - Tool-free lid for easy debris removal
 - Ergonomic easy-transport handle

A Fluidra Brand | Jandy.com | 1.800.822.7933

©2023 Zodiac Pool Systems LLC. All rights reserved. ZODIAC® is a registered trademark of Zodiac International, S.A.S.U., used under license. All other trademarks are the property of their respective owners. 26650.1_L

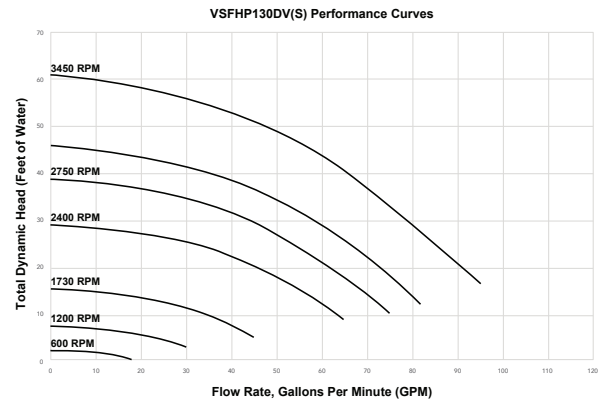
MODELS

Model No.	Description
VSFHP130DVS	VS FloPro, 1.3 HP, SpeedSet Controller Preinstalled
VSFHP130DV	VS FloPro, 1.3 HP, Controller Sold Separately

SPECIFICATIONS

Model No.	THP	WEF ¹	Voltage	Max Watts	Amps	Union Size	Rec. Pipe Size ²	Weight
VSFHP130DV(S)	1.3	11.0 10.9	230 VAC 115 VAC	1100W	8.6 15.6	2"	1 1/2"-2"	39.3 lbs.

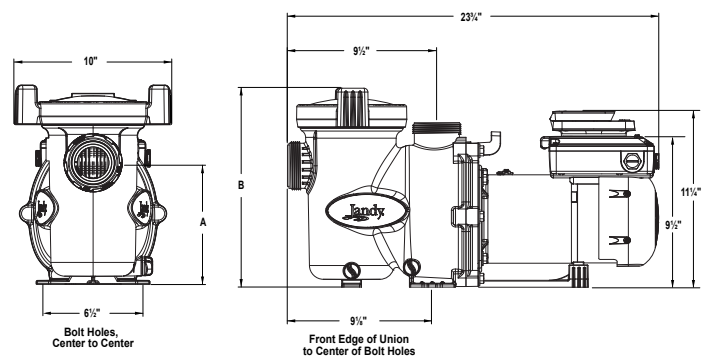
PERFORMANCE



ADJUSTABLE BASE CONFIGURATIONS³

Base	Fits	A Dimension	B Dimension
No Base	Hayward® Super Pump® Pentair® SuperFlo® Sta-Rite® SuperMax®	7-3/4"	12-3/4"
Small Base	Hayward® Super II™ Jandy PlusHP and MaxHP Pumps	8-7/8"	13-7/8"
Small Base w/ Spacers	Pentair WhisperFlo® and IntelliFlo® VSF, Sta-Rite Dyna Glas™	9-1/8"	14-1/8"
Small Base + Large Base	Sta-Rite Max-E-Pro® Sta-Rite Dura-Glas® Sta-Rite Dura-Glas II Sta-Rite Max-E-Glas®	10-3/4"	15-3/4"

DIMENSIONS



¹WEF = weighted energy factor in kcal/kWh. WEF is a performance-based metric adopted by the Department of Energy to characterize the energy performance of dedicated-purpose pool pumps. Department of Energy 10 CFR Parts 429 and 431.

²Always follow local building and safety codes for pipe sizing and guidelines

³Small base with spacers included with all FloPro pumps. Large base is optional part R0546400.

