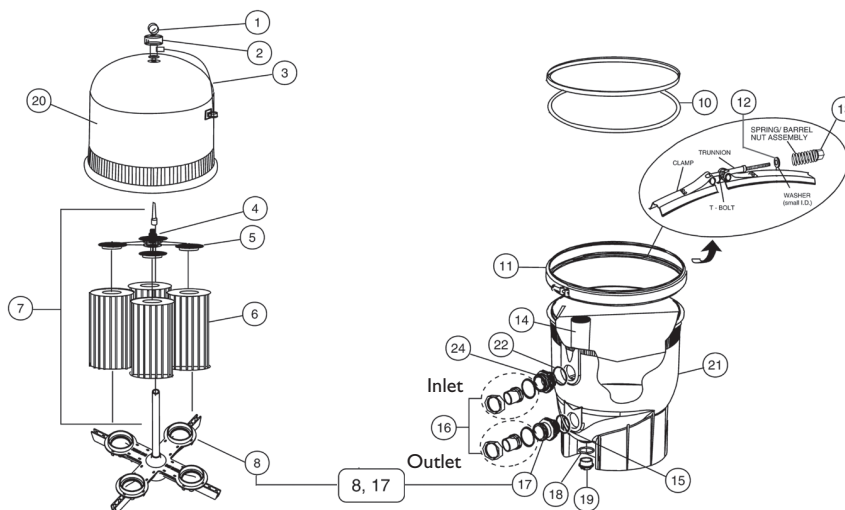


Clean & Clear® Plus Filters

Replacement Parts for Fiberglass Reinforced Polypropylene Tank



Item	Part No.	Description	US List	Can. List
CLEAN & CLEAR PLUS FILTERS				
1	190058	Gauge, pressure, 1/4 in.	34.18	38.28
2	98209800	High Flow manual air relief valve, HFMARV	27.29	30.56
4	56636900	Spring, compression ¹	20.13	22.55
4	178616	Spring, compression ²	5.13	5.75
5	170026	Manifold, top assembly, 240 sq. ft. ²	63.05	70.62
5	170027	Manifold, top assembly, 320, 420 & 520 sq. ft. ²	59.49	66.63
6	R173572	Cartridge element, 240 sq. ft., 4 req.	84.16	94.26
6	R173573	Cartridge element, 320 sq. ft., 4 req.	107.61	120.52
6	R173576	Cartridge, 420 sq. ft., 4 req. ²	132.04	147.88
6	R173578	Cartridge, 520 sq. ft., 4 req. ²	151.32	169.48
7	170030	Air bleed tube assembly, 240 sq. ft.	36.06	40.39
7	55028500	Air bleed tube assembly, 360, 420 sq. ft. ¹	68.00	76.16
7	170029	Air bleed tube assembly, 320 sq. ft. ²	36.59	40.98
7	170028	Air bleed tube assembly, 420 sq. ft. ²	37.17	41.63
7	55028400	Air bleed tube assembly, 500 sq. ft. ¹	52.49	58.79
7	178583	Air bleed tube assembly, 520 sq. ft. ²	36.06	40.39
8	170035	Manifold, bottom/pipe assembly, outlet ³	170.04	190.44
8	170040	Manifold, bottom ⁴	47.37	53.05
10	39010200	O-ring, clamp	45.77	51.26
11	190003	Clamp kit, tension control	253.93	284.40
12	53006300Z	Washer, .325 i.d. for filter clamp	1.63	1.83
12	195610	Washer, sm. i.d.	5.54	6.20
13	53108900	Spring/barrel nut assembly	37.95	42.50
14	190039	Baffle, bulkhead assembly ²	77.60	86.91
15	86006900	O-ring, bulkhead, lower	4.97	5.57
16	98960311	Bulkhead union, set ¹	50.87	56.97
16	271096	Bulkhead union, 1-1/2 in. x 2 in., set, white ²	48.53	54.35
16	270004	Bulkhead union, 1-1/2 in. x 2 in., set, black ²	51.29	57.44
16	270100	2 in. Adaptor kit, 2 in. x 2-1/2 in set, black ⁸	53.16	59.54

Item	Part No.	Description	US List	Can. List
17	170035	Pipe assembly, outlet/manifold, bottom (includes bulkhead 178575) ²	170.04	190.44
18	86300500	Drain cap gasket ¹	4.34	4.86
18	51005000	O-ring for drain plug ²	5.50	6.16
18	191474	O-ring for drain plug ⁸	0.74	0.83
19	51516200	Drain cap ¹	19.55	21.90
19	86202000	Plug, 1-1/2 in. drain with O-ring ²	15.16	16.98
19	190030	Cap plug ⁸	23.74	26.59
20	170023	Tank, lid assembly, 240 sq. ft.	189.92	212.71
20	170024	Tank, lid assembly, 320 sq. ft.	231.27	259.02
20	178581	Tank, lid assembly, 420 sq. ft. ²	264.33	296.05
20	178550	Tank, lid assembly, 500 sq. ft. ¹	260.49	291.75
20	178582	Tank, lid assembly, 520 sq. ft. ²	311.39	348.76
21	178578	Tank, bottom assembly ²	430.13	481.75
22	192320	O-ring, bulkhead, upper ²	3.02	3.38
22	86006900	O-ring, bulkhead, upper & lower ^{1,7}	4.97	5.57
23	195339	SS back-up ring ⁵	57.75	64.68
24	194801	Bulkhead, 2-3/8, 8 buttress thread ²	81.24	90.99
NOT SHOWN				
	192019	Drain plug wrench	39.55	44.30
	010126	Filter lid opener tool	CALL	CALL
	178708	Parts Bag - includes warranty card, instructions, and items 1, 2, and 16.	77.51	86.81

¹ Used on filters manufactured before 11/98.
² Used on filters manufactured after 11/98.
³ Used on filters manufactured between 11/98 thru 12/00.
⁴ Used on filters manufactured after 12/00.
⁵ Used on filters manufactured after 3/03.
⁶ Used on filters manufactured between 3/03, thru 7/11/03.
⁷ Used on filters manufactured after 10/04.
⁸ Used on filters manufactured after 5/21/05.