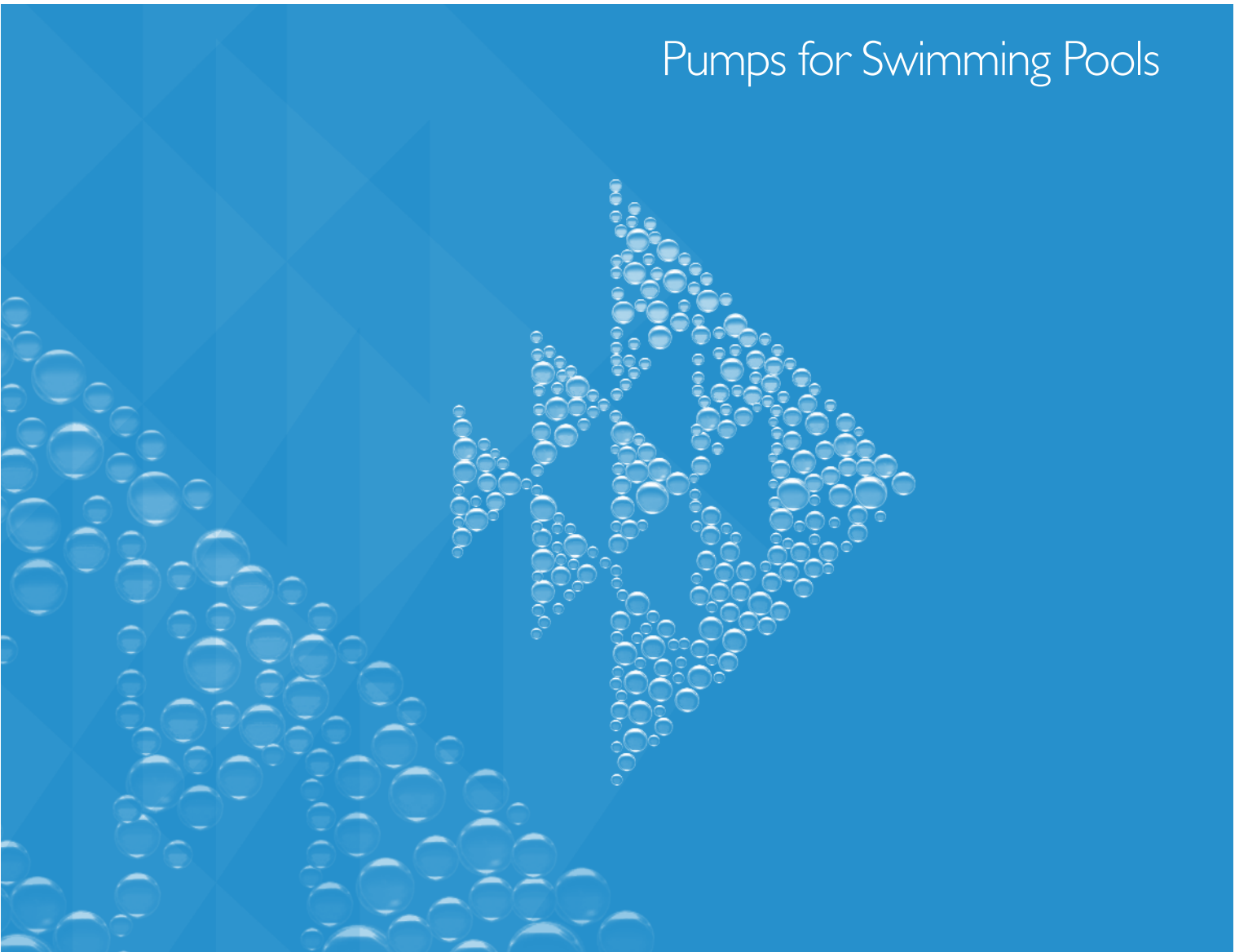


Pumps

Pumps for Swimming Pools



IntelliFlo® VF High Performance Pump



IntelliFlo VF High Performance Pump
Patents Pending



The IntelliFlo Variable Flow pump is the world's smartest swimming pool pump. Its onboard computer and intelligent software automatically calculate and program the minimum flow requirements for every pool task—filtering, heating, cleaning, spa jets, water features and more—to optimize performance and minimize energy use. As functions/tasks change, IntelliFlo self-adjusts to maintain optimal flow rates for further energy savings.

Featured Highlights

- Automatically monitors and adjusts flow rates to optimize performance and minimize energy use—reduces energy consumption by up to 90%
- Built-in diagnostics protect the IntelliFlo pump from the most common causes of premature failure—loss of prime, overheating, freezing, and voltage irregularities
- Permanent magnet motor and TEFC (totally enclosed fan cooled) design assure quietest operation of any pool pump
- Super-efficient permanent magnet motors produce far less heat and vibration, resulting in less stress and wear on pump components for longer life
- Compatible with IntelliTouch®, EasyTouch®, and SunTouch® pool control systems
- CE Certified, NSF Certified, UL and CSA Listed
- Robust On Board Power Factor Correction

Ordering Information

Product	Model	Voltage	Full Load Amps	kW	HP	SF	SFHP	Primary Listings and Certifications ⁴	Port Size (NPT)	Carton Wt (Lbs)
INTELLIFLO VF PUMP										
011012	IntelliFlo VF	230	16	3.2	3	1.32	3.95	UL ¹ , NSF ² CSA ³	2" X 2"	47
ACCESSORIES										
520641	IntelliCom 4 - Rated 15 - 240 VAC 15-100 VDC With 4 Inputs									8
521109	IntelliCom 2 - Rated 9 - 24 VDC WITH 4 Inputs									
350122	Communication Cable - Included with IntelliFlo VF									2

¹ 'UL' indicates that pump bears a specific UL mark signifying evaluation to U.S. Standards UL1081 for Permanently Connected Swimming Pool and Spa Pumps and to Canadian Standards CAN/CSA C22.2 No. 108-01 Liquid Pumps For Swimming Pools Only (Enclosure 3).

² 'NSF' indicates that pump bears a NSF mark signifying evaluation to NSF Standard 50 For Self-Priming Centrifugal Pumps For Swimming Pools Only.

³ 'CSA' indicates that pump bears a CSA mark signifying evaluation to Canadian Standards CAN/CSA C22.2 No. 108-01 Liquid Pumps For Swimming Pools Only (Enclosure 3).

⁴ Product may have been evaluated to other state and local regulatory standards. Listing status may change. Always confirm status with appropriate agency if in doubt.

IntelliFlo® VF

High Performance Pump (Cont'd)

Displays inform you of run time, mode and current status

It tells you when and how to backwash your filter media

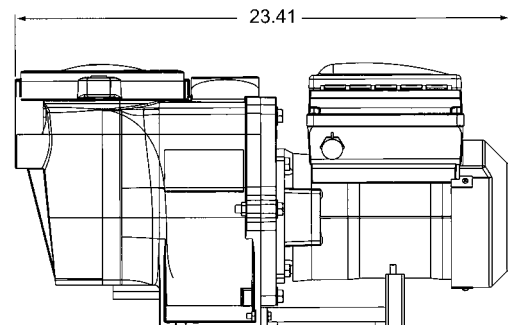
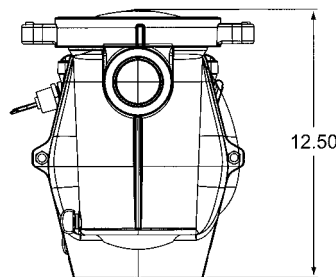
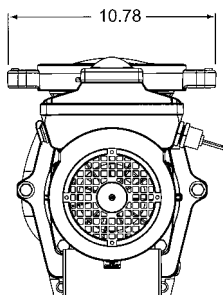
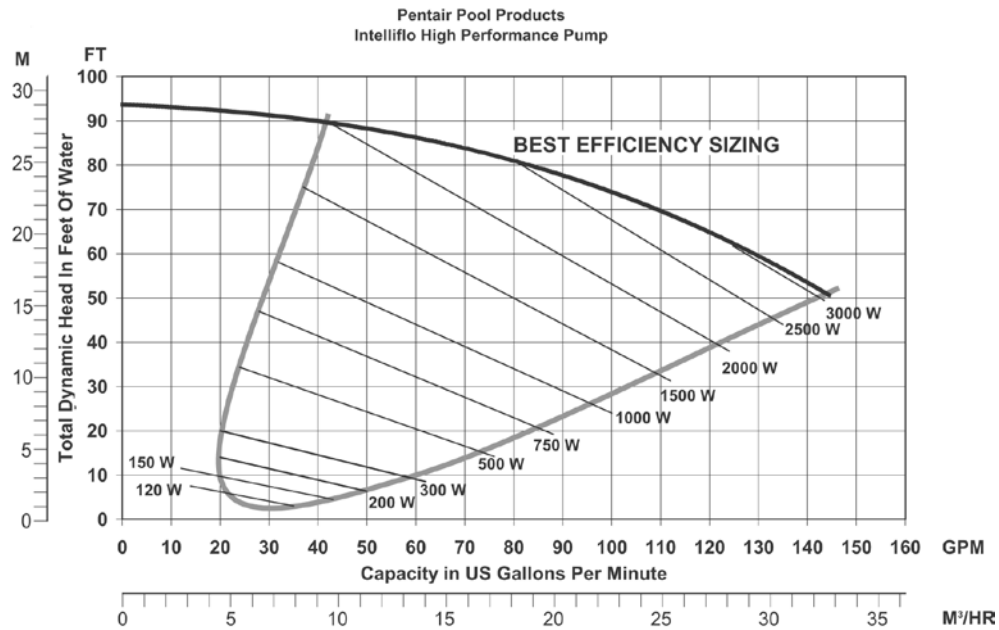
Manual mode lets you override programming and run the pump using RPM or flow settings of your choice

Programming is push-button easy—simple menus lead the way

Capable of linking and communicating with IntelliTouch® control systems for even greater automation possibilities. Plus, IntelliFlo provides these expanded control capabilities while achieving levels of energy and cost-efficiency never available before



Dimensions and Performance



See page 456 for replacement parts.

IntelliFlo® VS 3050 & IntelliFlo VS+SVRS High Performance Pump



IntelliFlo VS 3050 High Performance Pump
Patents Pending



IntelliFlo Variable Speed pumps combine variable drive technology, onboard digital intelligence, and permanent magnet motors (used in hybrid cars) to reduce pump-related energy costs by up to 90%. The new IntelliFlo VS+SVRS model is the first swimming pool pump to feature a built-in Safety Vacuum Release System that detects drain blockage and automatically shuts the pump off.

Featured Highlights

- Ability to program exact pump speeds for specific operations—filtering, heating, cleaning, spa jets, water features and more—slashes energy costs up to 90%
- SVRS model complies with Virginia Graeme Baker Safety Act.
- Built-in diagnostics protect the IntelliFlo pump from the most common causes of premature failure—overheating, freezing, and voltage irregularities (SVRS model includes priming protection as well)
- No SVRS calibrations needed. Built-in SVRS cannot be turned off
- Safety lock-out feature (password protected) on SVRS model prevents pump speed settings from being changed by unauthorized personnel
- Ability to set minimum and maximum speeds on SVRS model so IntelliFlo will only operate within the ranges set to help assure safe operation and long life
- Compatible with IntelliTouch®, EasyTouch®, and SunTouch® pool control systems
- NSF Certified, UL and ETL Listed as an ASME A112.19.17.2002 Device

Ordering Information

Product	Model	Voltage	Full Load Amps	kW	HP	SF	SFHP	Primary Listings and Certifications ⁵	Port Size (NPT)	Carton Wt (Lbs)
ULTRA ENERGY EFFICIENT VARIABLE SPEED										
011013	IntelliFlo VS-3050	230	16	3.2	3	1.32	3.95	UL ¹ , NSF ² , CSA ³	2" X 2"	47
ULTRA ENERGY EFFICIENT VARIABLE SPEED WITH SAFETY VACUUM RELIEF SYSTEM										
011017	IntelliFlo VS+SVRS	230	16	3.2	3	1.32	3.95	UL ¹ , NSF ² , CSA ³ , ASME ⁴	2" X 2"	47
ACCESSORIES										
520641	IntelliCom 4 - Rated 15 - 240 VAC 15-100 VDC With 4 Inputs									8
521109	IntelliCom 2 - Rated 9 - 24 V DC WITH 4 Inputs									1
350122	Communication Cable- 50' - Included with IntelliFlo VS 3050 and IntelliFlo VS + SVRS									2
350250Z	SVRS KIT - Allows use of discharge checks with SVRS pump									1

¹ 'UL' indicates that pump bears a UL mark signifying evaluation to U.S. Standards UL1081 for Permanently Connected Swimming Pool and Spa Pumps and to Canadian Standards CAN/CSA C22.2 No. 108-01 Liquid Pumps For Swimming Pools Only (Enclosure 3).

² 'NSF' indicates that pump bears a NSF mark signifying evaluation to NSF Standard 50 For Self-Priming Centrifugal Pumps For Swimming Pools Only.

³ 'CSA' indicates that pump bears a CSA mark signifying evaluation to Canadian Standards CAN/CSA C22.2 No. 108-01 Liquid Pumps For Swimming Pools Only (Enclosure 3).

⁴ 'ASME' indicates that pump bears a specific mark signifying evaluation to ASME/ANSI Standard A.112.19.17.2002 Manufactured Safety Vacuum Relief System (SVRS).

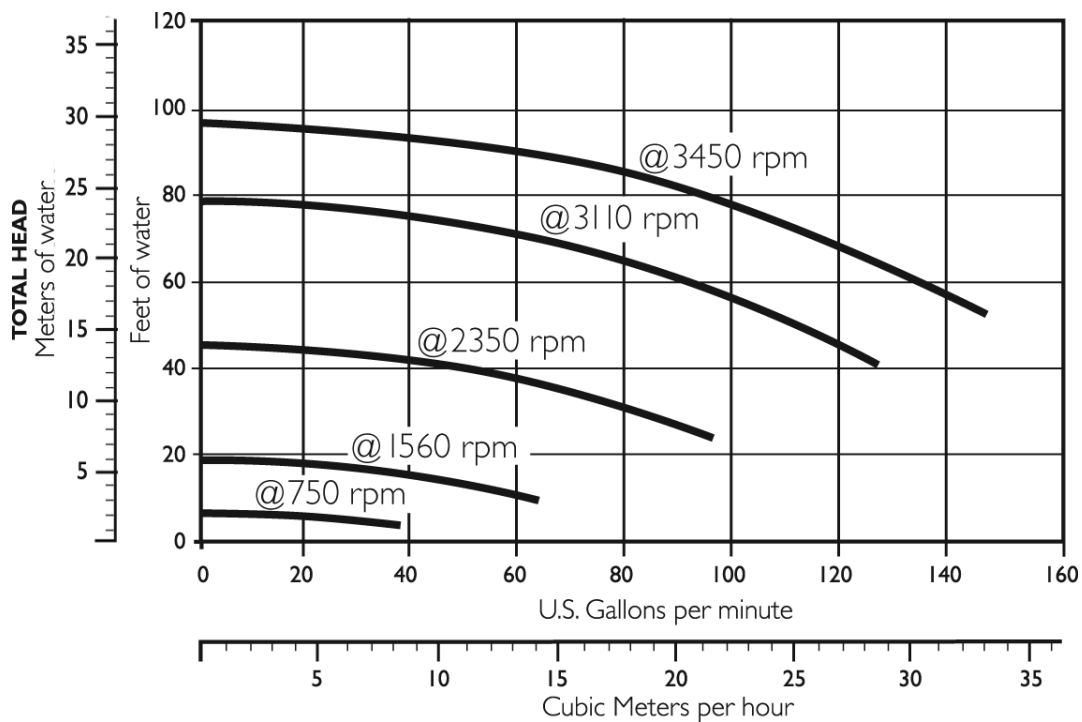
⁵ Product may have been evaluated to other state and local regulatory standards. Listing status may change. Always confirm status with appropriate agency if in doubt.

NOTE: Pump must be used with current collectors when installed on spas or hot tubs in Canada.

IntelliFlo® VS 3050 & IntelliFlo VS+SVRS High Performance Pump (Cont'd)



Dimensions and Performance



Note: For dimensions, see IntelliFlo VF

See page 457 for replacement parts

WhisperFlo® High Performance Pumps

Energy Efficient Swimming Pool Pumps



WhisperFlo High Performance Pumps

Featured Highlights

- Oversized strainer basket and volute - industry standard in pool pumps
- Standard and Energy-efficient Square Flange Motors available
- Lower hp's deliver higher performance than industry standard
- Compatible with all cleaning systems, various filters and jet action spas
- Heavy-duty/durable construction is designed for long life
- Designed for residential and commercial applications
- New motor increases life, energy, efficiency, ease of installation and better cooling for long service life

40% glass-filled thermoplastic with the Cam & Ramp™ “see thru” lid design. Self-priming, high flow with patented Funnel-Flo™ diffusers. 2 in. suction and discharge ports. Motor features threaded shaft and durable commercial duty 56 frame motor with NEMA square flange.

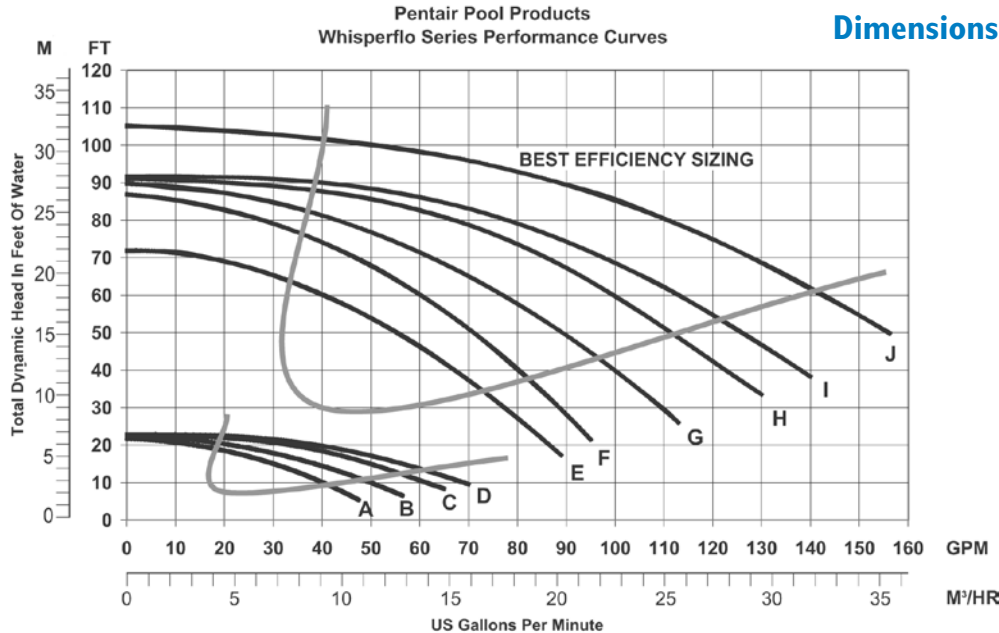
Ordering Information

Product	Model	Voltage	Full Load Amps	HP	SF	SFHP	Primary Listings and Certifications ³	Port Size (NPT)	Carton Wt (Lbs)	Curve Key
ENERGY EFFICIENT SINGLE SPEED FULL RATED										
011511	WFE-2	115/208-230	8.8/4.5-4.4	1/2	1.90	0.95	UL ¹ , NSF ²	2" X 2"	41	E
011512	WFE-3	115/208-230	11.2/6.0-5.6	3/4	1.67	1.25	UL ¹ , NSF ²	2" X 2"	41	F
011513	WFE-4	115/208-230	14.8/7.8-7.4	1	1.65	1.65	UL ¹ , NSF ²	2" X 2"	46	G
011514	WFE-6	208-230	9.6-8.8	1-1/2	1.47	2.20	UL ¹ , NSF ²	2" X 2"	54	H
011515	WFE-8	208-230	11.0-10.2	2	1.30	2.60	UL ¹ , NSF ²	2" X 2"	55	I
011516	WFE-12	208-230	15.0-13.6	3	1.15	3.45	UL ¹ , NSF ²	2" X 2"	56	J
ENERGY EFFICIENT SINGLE SPEED UP RATED										
011517	WFE-24	115/208-230	11.2/6.0-5.6	1	1.25	1.25	UL ¹ , NSF ²	2" X 2"	41	F
011518	WFE-26	115/208-230	14.8/7.8-7.4	1-1/2	1.10	1.65	UL ¹ , NSF ²	2" X 2"	46	G
011519	WFE-28	208-230	9.6-8.8	2	1.10	2.20	UL ¹ , NSF ²	2" X 2"	54	H
011520	WFE-30	208-230	11.0-10.2	2-1/2	1.04	2.60	UL ¹ , NSF ²	2" X 2"	55	I
STANDARD EFFICIENCY SINGLE SPEED FULL RATED										
011578	WF-2	115/230	10.8/5.4	1/2	1.95	0.95	UL ¹ , NSF ²	2" X 2"	41	E
011579	WF-3	115/230	14.2/7.1	3/4	1.67	1.25	UL ¹ , NSF ²	2" X 2"	41	F
011580	WF-4	115/230	16.0/8.0	1	1.65	1.65	UL ¹ , NSF ²	2" X 2"	46	G
011581	WF-6	115/230	22.4/11.2	1-1/2	1.50	2.20	UL ¹ , NSF ²	2" X 2"	54	H
011582	WF-8	230	11.5	2	1.30	2.60	UL ¹ , NSF ²	2" X 2"	55	I
011583	WF-12	230	14.1	3	1.15	3.45	UL ¹ , NSF ²	2" X 2"	56	J
STANDARD EFFICIENCY SINGLE SPEED UP RATED										
011771	WF-23	115/230	10.8/5.4	3/4	1.24	0.95	UL ¹ , NSF ²	2" X 2"	41	E
011772	WF-24	115/230	14.2/7.1	1	1.24	1.25	UL ¹ , NSF ²	2" X 2"	41	F
011773	WF-26	115/230	16.0/8.0	1-1/2	1.10	1.65	UL ¹ , NSF ²	2" X 2"	46	G
011774	WF-28	115/230	22.4/11.2	2	1.10	2.20	UL ¹ , NSF ²	2" X 2"	54	H
011775	WF-30	230	11.5	2-1/2	1.04	2.60	UL ¹ , NSF ²	2" X 2"	55	I
ENERGY EFFICIENT SINGLE SPEED FULL RATED- 3 PHASE										
340061	WFK-2	208-230/460	3.2-3.0/1.5	1/2	1.90	0.95	NSF ²	2" X 2"	39	E
011021	WFK-3	208-230/460	3.8-3.6/1.8	3/4	1.65	1.25	NSF ²	2" X 2"	42	F
011568	WFK-4	208-230/460	5.0-4.6/2.3	1	1.65	1.65	NSF ²	2" X 2"	46	G
011569	WFK-6	208-230/460	6.4-5.8/2.9	1-1/2	1.47	2.20	NSF ²	2" X 2"	54	H
011570	WFK-8	208-230/460	7.1-6.8/3.4	2	1.30	2.60	NSF ²	2" X 2"	56	I
011571	WFK-12	208-230/460	11.0-10.4/5.2	3	1.15	3.45	NSF ²	2" X 2"	58	J

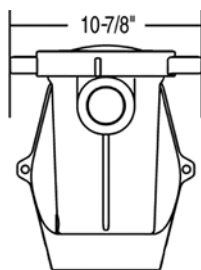
WhisperFlo® High Performance Pumps (Cont'd)

Product	Model	Voltage	Full Load Amps	HP	SF	SFHP	Primary Listings and Certifications ³	Port Size (NTP)	Carton Wt (Lbs)	Curve Key
ENERGY EFFICIENT TWO SPEED 3450 RPM, LOW SPEED 1725 RPM FULL RATED										
012530	WFDS-3	115	14.6/4.7	3/4	1.67	1.25	UL ¹ , NSF ²	2" X 2"	42	A, F
011486	WFDS-4	230	7.8/3.0	1	1.65	1.65	UL ¹ , NSF ²	2" X 2"	47	B, G
011522	WFDS-6	230	10.0/3.5	1-1/2	1.47	2.20	UL ¹ , NSF ²	2" X 2"	55	C, H
011523	WFDS-8	230	11.0/4.0	2	1.30	2.60	UL ¹ , NSF ²	2" X 2"	56	D, I
ENERGY EFFICIENT TWO SPEED 3450 RPM, LOW SPEED 1725 RPM UP RATED										
012485	WFDS-24	115	14.6/4.7	1	1.25	1.25	UL ¹ , NSF ²	2" X 2"	42	A, F
012518	WFDS-26	230	7.8/3.0	1-1/2	1.10	1.65	UL ¹ , NSF ²	2" X 2"	47	B, G
011524	WFDS-28	230	10.0/3.5	2	1.10	2.20	UL ¹ , NSF ²	2" X 2"	55	C, H
011525	WFDS-30	230	11.0/4.0	2-1/2	1.04	2.60	UL ¹ , NSF ²	2" X 2"	56	D, I

¹ 'UL' indicates that pump bears a UL mark signifying evaluation to U.S. Standards UL1081 for Permanently Connected Swimming Pool and Spa Pumps and to Canadian Standards CAN/CSA C22.2 No. 108-01 Liquid Pumps For Swimming Pools Only (Enclosure 3).
² 'NSF' indicates that pump bears a NSF mark signifying evaluation to NSF Standard 50 For Self-Priming Centrifugal Pumps For Swimming Pools, Spas and Hot Tubs.
³ Product may have been evaluated to other state and local regulatory standards. Listing status may change. Always confirm status with appropriate agency if in doubt.

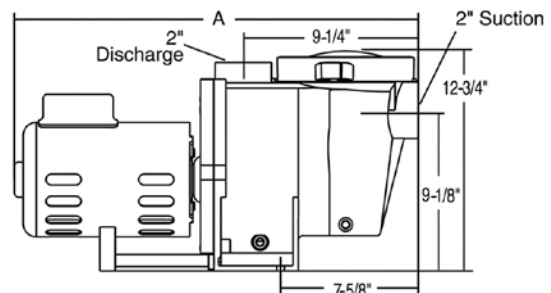


Dimensions and Performance



A - varying length:

- 1/2 & 3/4 hp = 24.469"
- 1 hp = 24.72"
- 1-1/2 hp = 25.22"
- 2 & 3 hp = 25.72"



See pages 458-459 for replacement parts.

Challenger® High Flow Pumps

Fiberglass Reinforced Swimming Pool Pump



Challenger High Flow Pump

Featured Highlights

- See-thru Lid
- Large Strainer Basket
- User-friendly removable drain plugs
- Most diverse offering in voltage and horsepower

Fiberglass Reinforced Pump with Closed Impeller, Single Speed.

Pump components are custom molded thermoplastic for superior strength and durability. All components developed and perfected through Computer Assisted Design for maximum pressure performance at minimum operating expense.

Ordering Information

Product	Model	Voltage	Full Load Amps	HP	SF	SFHP	Primary Listings and Certifications ⁴	Port Size (NTP)	Carton Wt (Lbs)	Curve Key
ENERGY EFFICIENT SINGLE SPEED FULL RATED										
342235	CFII-NI-1FE	115/208-230	14.8/7.8-7.4	1	1.65	1.65	UL ¹ , NSF ² , CSA ³	2" X 2"	48	C
342236	CFII-NI-1-1/2FE	208-230	9.6-8.8	1-1/2	1.47	2.20	UL ¹ , NSF ² , CSA ³	2" X 2"	49	D
342238	CFII-NI-2FE	208-230	11.0-10.2	2	1.30	2.60	UL ¹ , NSF ² , CSA ³	2" X 2"	55	E
STANDARD EFFICIENCY SINGLE SPEED FULL RATED										
342232	CFII-NI-1/2F	115/230	10.8/5.4	1/2	1.90	0.95	UL ¹ , NSF ² , CSA ³	2" X 2"	37	A
342233	CFII-NI-3/4F	115/230	14.2/7.1	3/4	1.67	1.25	UL ¹ , NSF ² , CSA ³	2" X 2"	39	B
342234	CFII-NI-1F	115/230	16.0/8.0	1	1.65	1.65	UL ¹ , NSF ² , CSA ³	2" X 2"	41	C
342231	CFII-NI-1.5F	115/230	22.4/11.2	1-1/2	1.50	2.20	UL ¹ , NSF ²	2" X 2"	49	D
342248	CFII-NI-2F	230	11.5	2	1.30	2.60	UL ¹ , NSF ² , CSA ³	2" X 2"	55	E
STANDARD EFFICIENCY SINGLE SPEED UP RATED										
343232	CFII-NI-3/4A	115/230	10.8/5.4	3/4	1.25	0.95	UL ¹ , CSA ³	2" X 2"	37	A
343233	CFII-NI-1A	115/230	14.2/7.1	1	1.25	1.25	UL ¹ , CSA ³	2" X 2"	39	B
343234	CFII-NI-1-1/2A	115/230	16.0/8.0	1-1/2	1.10	1.65	UL ¹ , CSA ³	2" X 2"	41	C
343240	CFII-NI-2A	115/230	22.4/11.2	2	1.10	2.20	UL ¹ , CSA ³	2" X 2"	49	D
343229	CFII-NI-2-1/2A	230	11.5	2-1/2	1.04	2.60	UL ¹	2" X 2"	55	E
5 HP HIGH FLOW PUMPS WITH LARGE STRAINER POT WITH 3" SUCTION										
345210	CFII-NI-5FE	208-230	21.0-19.4	5	1.00	5.00	UL ¹ , NSF ²	3" X 2"	70	F
345300	CFII-NI-5FE 3PH	208-230/460	13.4-13.4/6.7	5	1.00	5.00	NSF ²	3" X 2"	70	F

¹ 'UL' indicates that pump bears a specific UL mark signifying evaluation to U.S. Standards UL1081 for Permanently Connected Swimming Pool and Spa Pumps and to Canadian Standards CAN/CSA C22.2 No. 108-01 Liquid Pumps For Swimming Pools And Spas. (Enclosure 3).

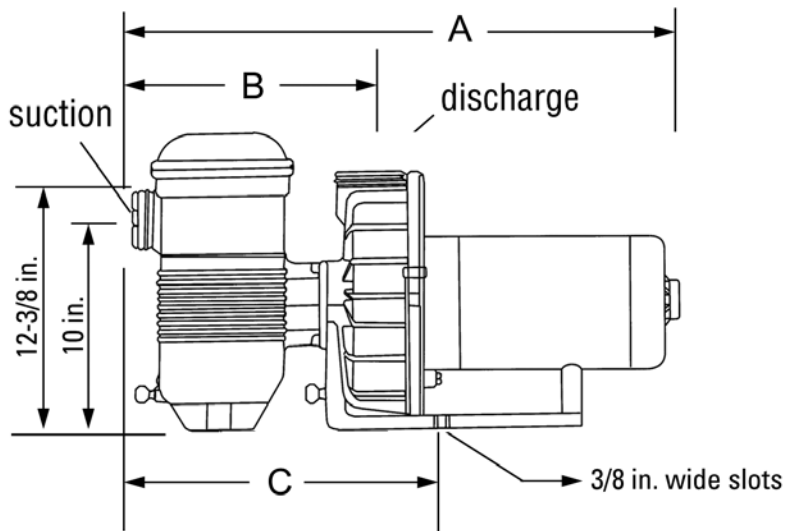
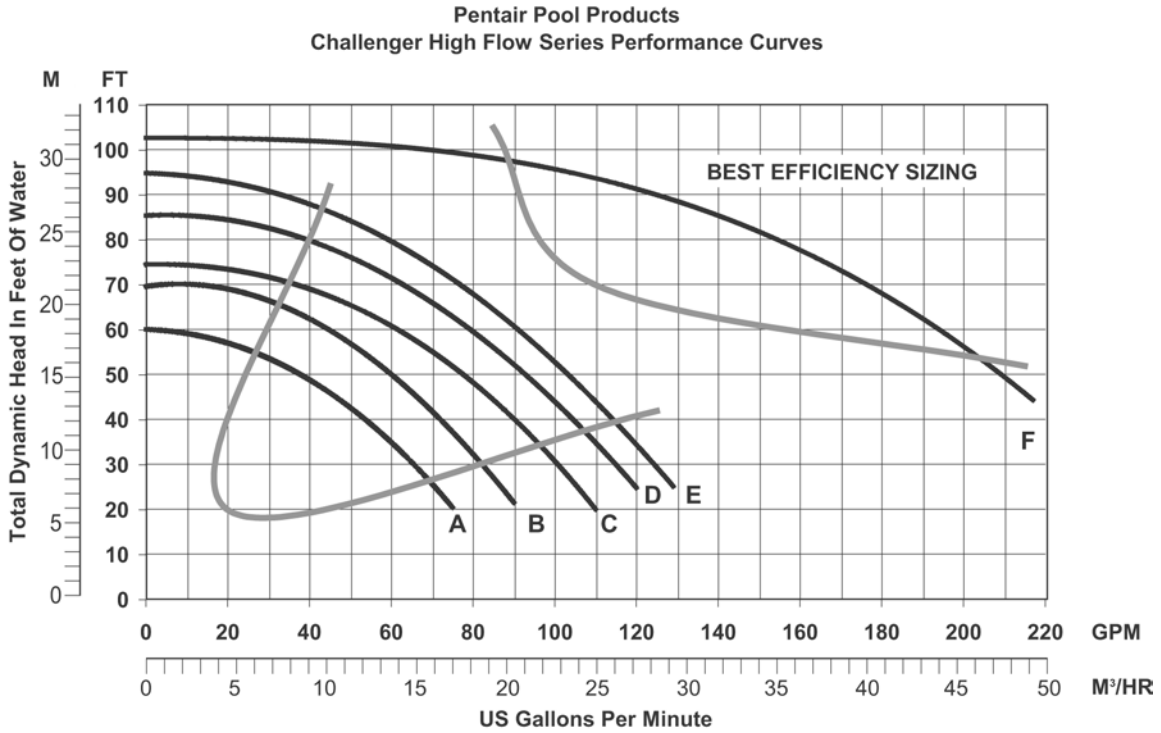
² 'NSF' indicates that pump bears a NSF mark signifying evaluation to NSF Standard 50 For Self-Priming Centrifugal Pumps For Swimming Pools, Spas and Hot Tubs.

³ 'CSA' indicates that pump bears a CSA mark signifying evaluation to Canadian Standards CAN/CSA C22.2 No. 108-01 Liquid Pumps For Swimming Pools And Spas. (Enclosure 3).

⁴ Product may have been evaluated to other state and local regulatory standards. Listing status may change. Always confirm status with appropriate agency if in doubt.

Challenger® High Flow Pumps (Cont'd)

Dimensions and Performance



Dimension A varies from 23 in. for 1/2 hp models to 30-7/8 in. for 5 hp models.

Dimension B = 9-5/8 in. for all models, except 5 hp = 13 in.

Dimension C = 14 -1/4 in. for all models, except 5 hp = 17-3/16 in.

Challenger® High Pressure Pumps

Fiberglass Reinforced Swimming Pool Pump



Challenger High Pressure Pump

Fiberglass Reinforced Pump with Closed Impeller, Single Speed

Pump components are custom molded thermo-plastic for superior strength and durability.

Ordering Information

Featured Highlights

- Standard 2 in. suction and discharge ports permit maximum operating efficiency
- Extra-large strainer basket extends time between cleanings
- Transparent strainer pot lid with comfortable handle provides easy access to strainer basket
- Unique diffuser and impeller provide excellent high pressure performance for all types of demanding installations
- One-bolt stainless steel clamp removes easily to provide quick access for any required service
- Anti-spin-off impeller
- Power end can easily be removed for service or winterizing without disturbing piping or pump support base
- No tool required for removing thumbscrew drain plugs for draining and winterizing
- Internal components and 2 in. ports are designed to provide rapid priming and quiet operation

Product	Model	Voltage	Full Load Amps	HP	SF	SFHP	Primary Listings and Certifications ⁴	Port Size (NPT)	Carton Wt (Lbs)	Curve Key
ENERGY EFFICIENT SINGLE SPEED FULL RATED										
345212	CHII-NI-1/2FE	115/208-230	8.8/4.5-4.4	1/2	1.90	0.95	UL ¹ , NSF ²	2" X 2"	41	G
345213	CHII-NI-3/4FE	115/208-230	11.2/6.0-5.6	3/4	1.67	1.25	UL ¹ , NSF ² , CSA ³	2" X 2"	43	H
345205	CHII-NI-1FE	115/208-230	14.8/7.8-7.4	1	1.65	1.65	UL ¹ , NSF ²	2" X 2"	46	I
345206	CHII-NI-1-1/2FE	208-230	9.6-8.8	1-1/2	1.47	2.20	UL ¹ , NSF ²	2" X 2"	54	J
345208	CHII-NI-2FE	208-230	11.0-10.2	2	1.30	2.60	UL ¹ , NSF ²	2" X 2"	55	K
345209	CHII-NI-3FE	208-230	15.0-13.6	3	1.15	3.45	UL ¹ , NSF ²	2" X 2"	56	L
ENERGY EFFICIENT SINGLE SPEED UP RATED										
346209	CHII NI 2-1/2AE	208-230	11.0-10.2	2-1/2	1.04	2.60	UL ¹	2" X 2"	55	K
STANDARD EFFICIENCY SINGLE SPEED FULL RATED										
345202	CHII-NI-1/2F	115/230	10.8/5.4	1/2	1.90	0.95	UL ¹ , NSF ² , CSA ³	2" X 2"	41	G
345203	CHII-NI-3/4F	115/230	14.2/7.1	3/4	1.67	1.25	UL ¹ , NSF ² , CSA ³	2" X 2"	41	H
345204	CHII-NI-1F	115/230	16.0/8.0	1	1.65	1.65	UL ¹ , NSF ² , CSA ³	2" X 2"	41	I
345201	CHII-NI-1-1/2F	115/230	22.4/11.2	1-1/2	1.50	2.20	UL ¹ , NSF ²	2" X 2"	49	J
345218	CHII-NI-2F	230	11.5	2	1.30	2.60	UL ¹ , NSF ² , CSA ³	2" X 2"	55	K
345219	CHII-NI-3F	230	14.1	3	1.15	3.45	UL ¹ , NSF ²	2" X 2"	56	L
STANDARD EFFICIENCY SINGLE SPEED UP RATED										
346203	CHII-NI-3/4A	115/230	10.8/5.4	3/4	1.25	0.94	UL ¹ , CSA ³	2" X 2"	41	G
346204	CHII-NI-1A	115/230	14.2/7.1	1	1.25	1.25	UL ¹ , CSA ³	2" X 2"	41	H
346206	CHII-NI-1-1/2A	115/230	16.0/8.0	1-1/2	1.10	1.65	UL ¹ , CSA ³	2" X 2"	41	I
346201	CHII-NI-2A	115/230	22.4/11.2	2	1.10	2.20	UL ¹ , CSA ³	2" X 2"	49	J
346249	CHII-NI-2-1/2A	230	11.5	2-1/2	1.04	2.60	UL ¹	2" X 2"	55	K

¹ 'UL' indicates that pump bears a specific UL mark signifying evaluation to U.S. Standards UL1081 for Permanently Connected Swimming Pool and Spa Pumps and to Canadian Standards CAN/CSA C22.2 No. 108-01 Liquid Pumps For Swimming Pools And Spas. (Enclosure 3).

² 'NSF' indicates that pump bears a NSF mark signifying evaluation to NSF Standard 50 For Self-Priming Centrifugal Pumps For Swimming Pools, Spas and Hot Tubs.

³ 'CSA' indicates that pump bears a CSA mark signifying evaluation to Canadian Standards CAN/CSA C22.2 No. 108-01 Liquid Pumps For Swimming Pools And Spas. (Enclosure 3).

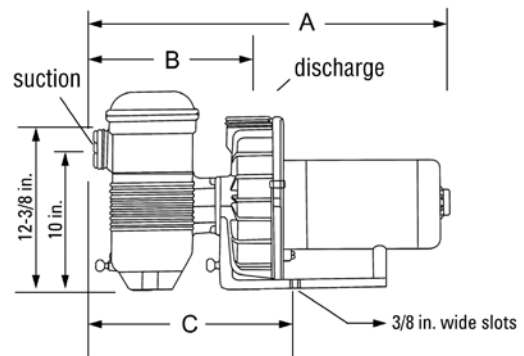
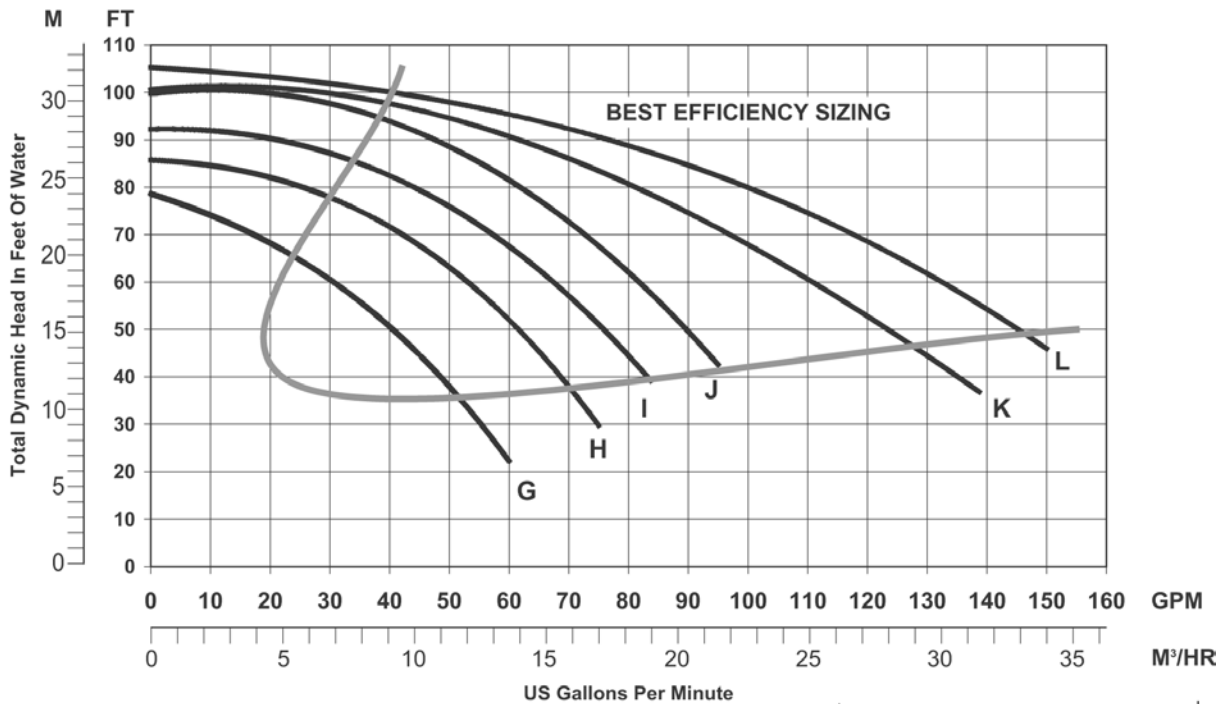
⁴ Product may have been evaluated to other state and local regulatory standards. Listing status may change. Always confirm status with appropriate agency if in doubt.

Challenger® High Pressure Pumps (Cont'd)

Product	Model	Voltage	Full Load Amps	HP	SF	SFHP	Primary Listings and Certifications ⁴	Port Size (NPT)	Carton Wt (Lbs)	Curve Key
ENERGY EFFICIENT SINGLE SPEED FULL RATED- 3 PHASE										
345290	CHII-NI-3/4FE 3PH	208-230/460	3.8-3.6/1.8	3/4	1.65	1.25	NSF ²	2" X 2"	43	H
345284	CHII-NI-1FE 3PH	208-230/460	5.0-4.6/2.3	1	1.65	1.65	NSF ²	2" X 2"	48	I
345286	CHII-NI-1-1/2FE 3PH	208-230/460	6.4-5.8/2.9	1-1/2	1.47	2.20	NSF ²	2" X 2"	49	J
345288	CHII-NI-2FE 3PH	208-230/460	7.1-6.8/3.4	2	1.30	2.60	NSF ²	2" X 2"	55	K
345299	CHII-NI-3FE 3PH	208-230/460	11.0-10.4/5.2	3	1.15	3.45	NSF ²	2" X 2"	55	L
ACCESSORIES										
354112	Chemical Resistant Lid									I

Dimensions and Performance

Pentair Pool Products
Challenger High Head Series Performance Curves



Dimension A varies from 23 in. for 1/2 hp models to 30-7/8 in. for 5 hp models.
Dimension B = 9-5/8 in. for all models, except 5 hp = 13 in.
Dimension C = 14-1/4 in. for all models, except 5 hp = 17-3/16 in.

See pages 462-463 for replacement parts.

WaterFall™ Specialty Pumps

AFP 75-180 GPM



WaterFall Specialty Pump

With Closed Impeller, Single-Speed

Custom designed for the specific demands of water features such as fountains, waterfalls, and other special pool features.

Featured Highlights

- Designed for low head applications that require 35-180 GPM's
- Durable custom molded components
- 60% quieter, 60% less energy use than standard pool pump
- Pump components are custom molded of thermoplastic for superior strength, durability, and quiet operation
- Standard 2 in. suction and discharge ports (3 in. suction and 2 in. discharge on AFP-180 model) permit maximum operating efficiency
- Extra-large strainer basket extends time between cleanings
- Transparent strainer pot lid with comfortable handle provides easy access to strainer basket

Ordering Information

Product	Model	Voltage	Full Load Amps	Primary Listings and Certifications ²	Port Size (NPT)	Carton Wt (Lbs)	Curve Key
ENERGY EFFICIENT SINGLE SPEED WITH STRAINER							
340350	AFP-75	115/230	9.6/4.8	UL ¹	2" X 2"	40	A
340351	AFP-120	115/230	9.6/4.8	UL ¹	2" X 2"	40	B
340352	AFP-150	115/230	12.0/6.0	UL ¹	2" X 2"	43	D
340353	AFP-180	115/230	12.0/6.0	UL ¹	3" X 2"	46	E
ENERGY EFFICIENT SINGLE SPEED WITHOUT STRAINER							
340300	AF-75 ³	115/230	9.6/4.8	UL ¹	2" X 2"	37	A
340301	AF-120 ³	115/230	9.6/4.8	UL ¹	2" X 2"	37	C
340302	AF-180 ³	115/230	12.0/6.0	UL ¹	2" X 2"	40	F

¹'UL' indicates that pump bears a specific UL mark signifying evaluation to U.S. Standards UL1081 for Permanently Connected Swimming Pool and Spa Pumps and to Canadian Standards CAN/CSA C22.2 No. 108-01 Liquid Pumps For Swimming Pools And Spas. (Enclosure 3).

² Product may have been evaluated to other state and local regulatory standards. Listing status may change. Always confirm status with appropriate agency if in doubt.

³ Flooded suction models do not contain priming/strainer pot.



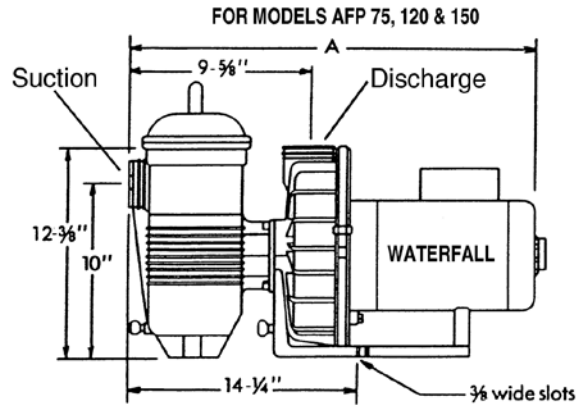
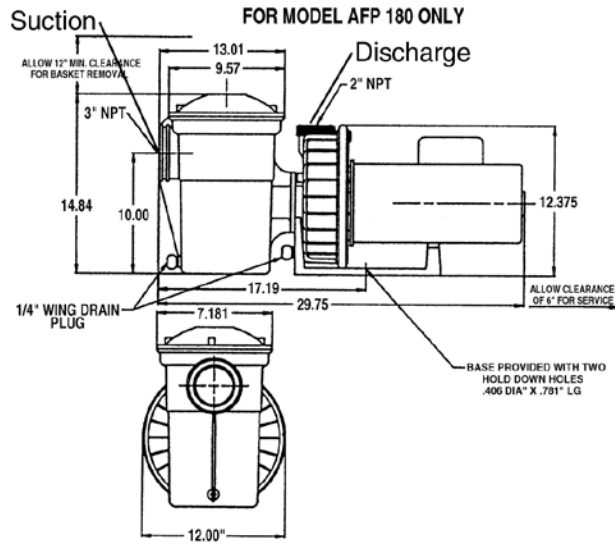
WaterFall Pump w/o Strainer
AF-75, 120, 180



WaterFall Pump w/Strainer
AFP-180

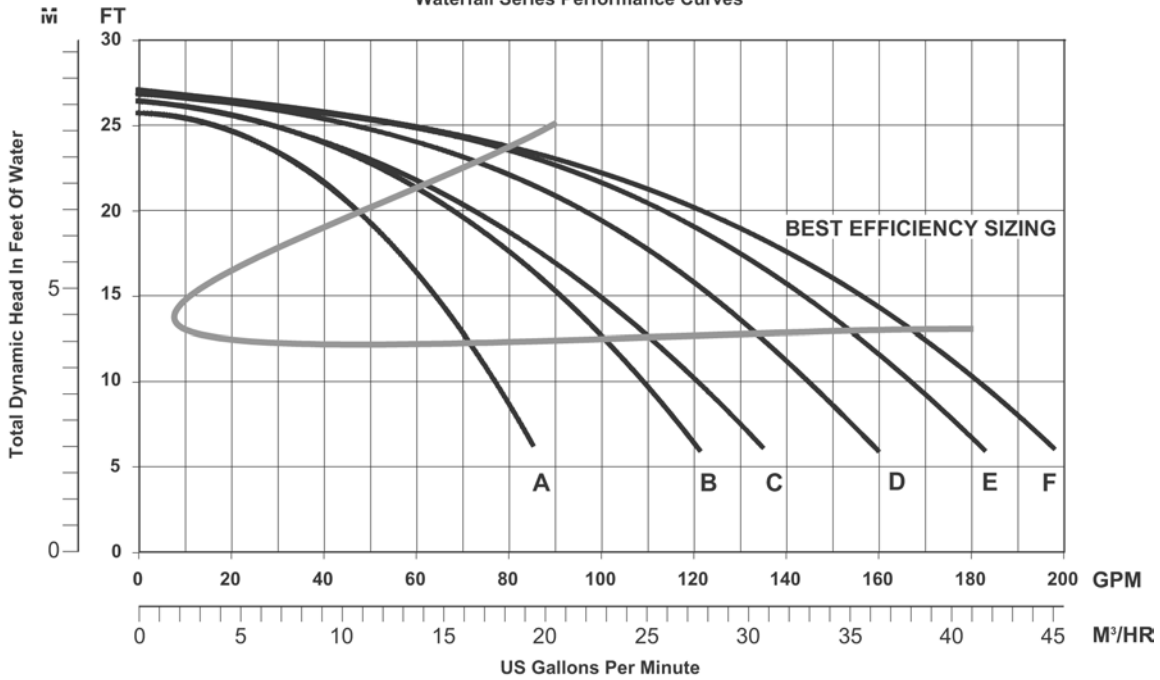
WaterFall™ Specialty Pumps (Cont'd)

Dimensions and Performance



"A" dimension varies from 23" to 24" depending upon model. Suction and discharge connections are 2" NPT.

Pentair Pool Products
Waterfall Series Performance Curves



See page 497 for replacement parts.

SuperFlo® Pumps



SuperFlo Pump
Protected by US Patent D517,570

Featured Highlights

- SuperFlo by Pentair Pool Products® is a direct replacement for the Hayward® Super Pump®*
- Extremely quiet operation
- Unionized fittings (1.5 in. internal slip and 2 in. external slip)
- Cam and Ramp™ Lid
- Heavy-duty, high service factor 56 square flange motor
- Integral volute and pot reduce hydraulic noise

The SuperFlo® pumps are specifically designed to be the best choice for a variety of inground pools. The SuperFlo features thick walled body parts, a heavy-duty 56 square flange motor, and highly engineered hydraulics. SuperFlo's silent running capability and small footprint allow it to easily drop into a compact equipment pad.

Ordering Information

Product	Model	Voltage	Full Load Amps	HP	SF	SFHP	Primary Listings and Certifications ³	Port Size (NPT)	Carton Wt (Lbs)	Curve Key
ENERGY EFFICIENT SINGLE SPEED										
348021	SF-NI-1/2FE	115/208-230	8.8/4.5-4.4	1/2	1.90	0.95	UL ¹	1.5" x 1.5"	38	E
348022	SF-NI-3/4FE	115/208-230	8.8/4.5-4.4	3/4	1.25	0.95	UL ¹	1.5" x 1.5"	38	F
348023	SF-NI-1AE	115/208-230	11.2/6.0-5.6	1	1.25	1.25	UL ¹	1.5" x 1.5"	38	G
348024	SF-NI-1 1/2AE	115/208-230	14.8/7.8-7.4	1-1/2	1.10	1.65	UL ¹	1.5" x 1.5"	40	H
348025	SF-NI-2AE	208-230	9.6-8.8	2	1.10	2.20	UL ¹	1.5" x 1.5"	48	I
348026	SF-NI-2-1/2AE	208-230	11.0-10.2	2-1/2	1.04	2.60	UL ¹	1.5" x 1.5"	54	J
STANDARD EFFICIENCY SINGLE SPEED										
340036	SF-NI-1/2F	115/230	10.8/5.4	1/2	1.95	0.95	UL ¹ , NSF ²	1.5" x 1.5"	38	E
340037	SF-NI-3/4A	115/230	10.8/5.4	3/4	1.25	0.95	UL ¹ , NSF ²	1.5" x 1.5"	38	F
340038	SF-NI-1A	115/230	14.2/7.1	1	1.25	1.25	UL ¹ , NSF ²	1.5" x 1.5"	38	G
340039	SF-NI-1-1/2A	115/230	16.0/8.0	1.5	1.10	1.65	UL ¹ , NSF ²	1.5" x 1.5"	40	H
340040	SF-NI-2A	115/230	22.4/11.2	2	1.10	2.20	UL ¹ , NSF ²	1.5" x 1.5"	48	I
340041	SF-NI-2-1/2A	230	11.5	2-1/2	1.04	2.60	UL ¹ , NSF ²	1.5" x 1.5"	54	J
ENERGY EFFICIENT TWO SPEED 3450 RPM, LOW SPEED 1725 RPM										
341111	SF-N2-3/4A	115	14.6/4.7	3/4	1.67	1.25	UL ¹ , NSF ²	1.5" x 1.5"	39	A, F
340042	SF-N2-1A	230	6.0/2.3	1	1.25	1.25	UL ¹ , NSF ²	1.5" x 1.5"	39	B, G
340043	SF-N2-1-1/2A	230	7.8/3.0	1-1/2	1.10	1.65	UL ¹ , NSF ²	1.5" x 1.5"	41	C, H
340044	SF-N2-2A	230	10.0/3.5	2	1.10	2.20	UL ¹ , NSF ²	1.5" x 1.5"	49	D, I
ACCESSORIES										
350157	Union Kit - 1.5" Internal Slip X 2" External Slip									I

¹UL¹ indicates that pump bears a UL mark signifying evaluation to U.S. Standards ULI081 for Permanently Connected Swimming Pool and Spa Pumps and to Canadian Standards CAN/CSA C22.2 No. 108-01 Liquid Pumps For Swimming Pools Only (Enclosure 3).

²NSF² indicates that pump bears a NSF mark signifying evaluation to NSF Standard 50 For Self-Priming Centrifugal Pumps For Swimming Pools Only.

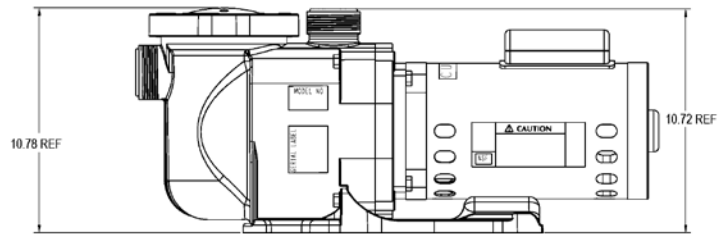
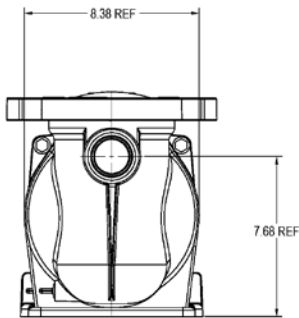
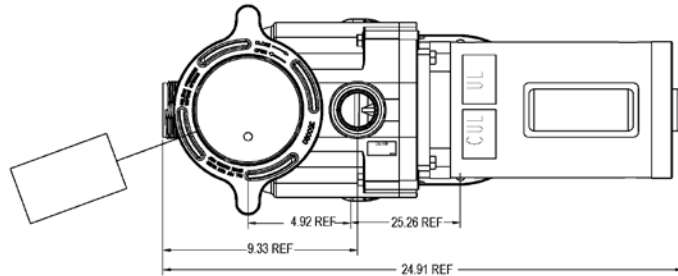
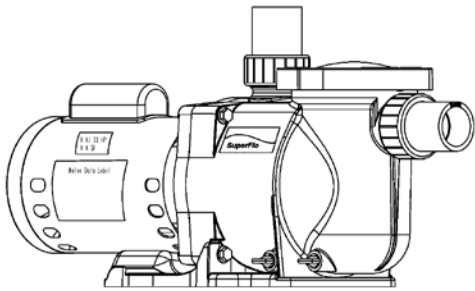
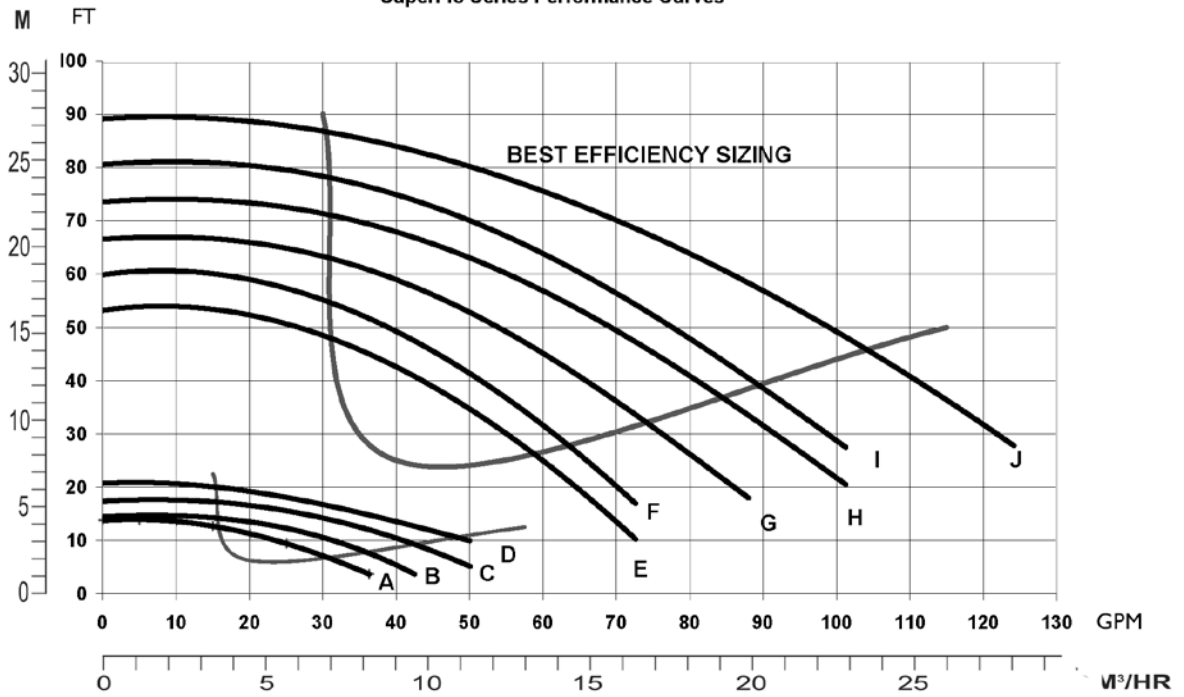
³Product may have been evaluated to other state and local regulatory standards. Listing status may change. Always confirm status with appropriate agency if in doubt.

* Hayward® and Super Pump® are registered trademarks of Hayward Industries, Inc.

SuperFlo® Pumps (Cont'd)

Dimensions and Performance

Pentair Pool Products
SuperFlo Series Performance Curves



See page 464 for replacement parts.

IntelliPro® VS 3050 & IntelliPro VS+SVRS High Performance Pump



IntelliPro VS 3050 High Performance Pump
Patents Pending



IntelliPro Variable Speed pumps combine variable drive technology, onboard digital intelligence, and permanent magnet motors (used in hybrid cars) to reduce pump-related energy costs by up to 90%. The new IntelliPro VS+SVRS model is the first swimming pool pump to feature a built-in Safety Vacuum Release System that detects drain blockage and automatically shuts the pump off.

Featured Highlights

- Ability to program exact pump speeds for specific operations—filtering, heating, cleaning, spa jets, water features and more—slashes energy costs up to 90%
- SVRS model complies with Virginia Graeme Baker Safety Act.
- Built-in diagnostics protect the IntelliPro pump from the most common causes of premature failure—overheating, freezing, and voltage irregularities (SVRS model includes priming protection as well)
- No SVRS calibrations needed. Built-in SVRS cannot be turned off
- Safety lock-out feature (password protected) on SVRS model prevents pump speed settings from being changed by unauthorized personnel
- Ability to set minimum and maximum speeds on SVRS model so IntelliPro will only operate within the ranges set to help assure safe operation and long life
- Compatible with IntelliTouch®, EasyTouch®, and SunTouch® pool control systems
- NSF Certified, UL and ETL Listed as an ASME A112.19.17.2002 Device

Ordering Information

Product	Description	Voltage	Full Load Amps	kW	HP	SF	SFHP	Primary Listings and Certifications	Port Size (NPT)	Carton Wt (Lbs)
ULTRA ENERGY EFFICIENT VARIABLE SPEED										
P6E6Y4H-209L	IntelliPro VS-3050	230	16	3.2	3	1.32	3.95	UL ¹ , NSF ² , CSA ³	2" X 2"	47
ULTRA ENERGY EFFICIENT VARIABLE SPEED WITH SAFETY VACUUM RELIEF SYSTEM										
P6E6XS4H-209L	IntelliPro VS+SVRS	230	16	3.2	3	1.32	3.95	UL ¹ , NSF ² , CSA ³ , ASME ⁴	2" X 2"	47
ACCESSORIES										
520641	IntelliCom 4- Rated 15 - 240VAC 15-100VDC With 4 Inputs									8
521109	IntelliCom 2- Rated 9 - 24VDC with 4 Inputs									1
350122	Communication Cable- 50'- Included with IntelliPro VS 3050 and IntelliPro VS + SVRS									2
350250Z	SVRS KIT- Allows use of discharge checks with SVRS pump									1

¹ 'UL' indicates that pump bears a specific UL mark signifying evaluation to U.S. Standards UL1081 for Permanently Connected

Swimming Pool and Spa Pumps and to Canadian Standards CAN/CSA C22.2 No. 108-01 Liquid Pumps For Swimming Pools Only (Enclosure 3).

² 'NSF' indicates that pump bears a NSF mark signifying evaluation to NSF Standard 50 For Self-Priming Centrifugal Pumps For Swimming Pools Only.

³ 'CSA' indicates that pump bears a CSA mark signifying evaluation to Canadian Standards CAN/CSA C22.2 No. 108-01 Liquid Pumps For Swimming Pools Only (Enclosure 3).

⁴ 'ASME' indicates that pump bears a specific mark signifying evaluation to ASME/ANSI Standard A.112.19.17.2002 Manufactured Safety Vacuum Relief System (SVRS).

⁵ Product may have been evaluated to other state and local regulatory standards. Listing status may change. Always confirm status with appropriate agency if in doubt.

IntelliPro® VS 3050 & IntelliPro VS+SVRS High Performance Pump

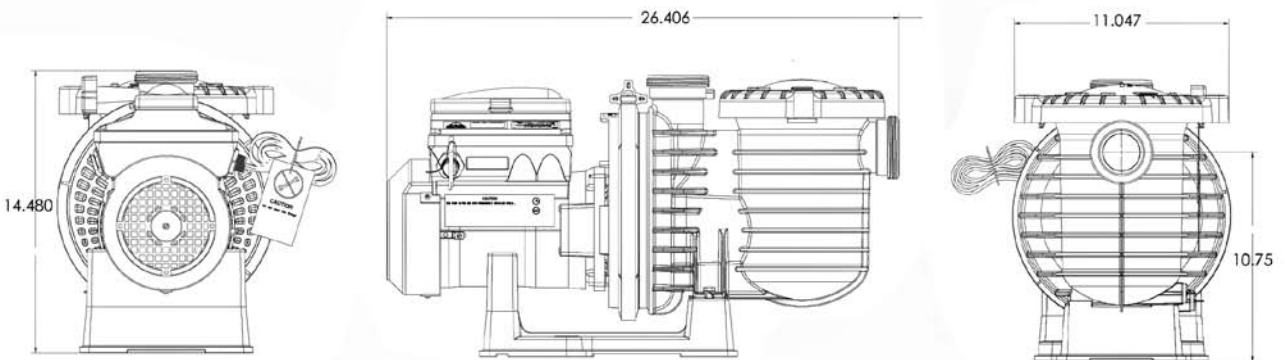
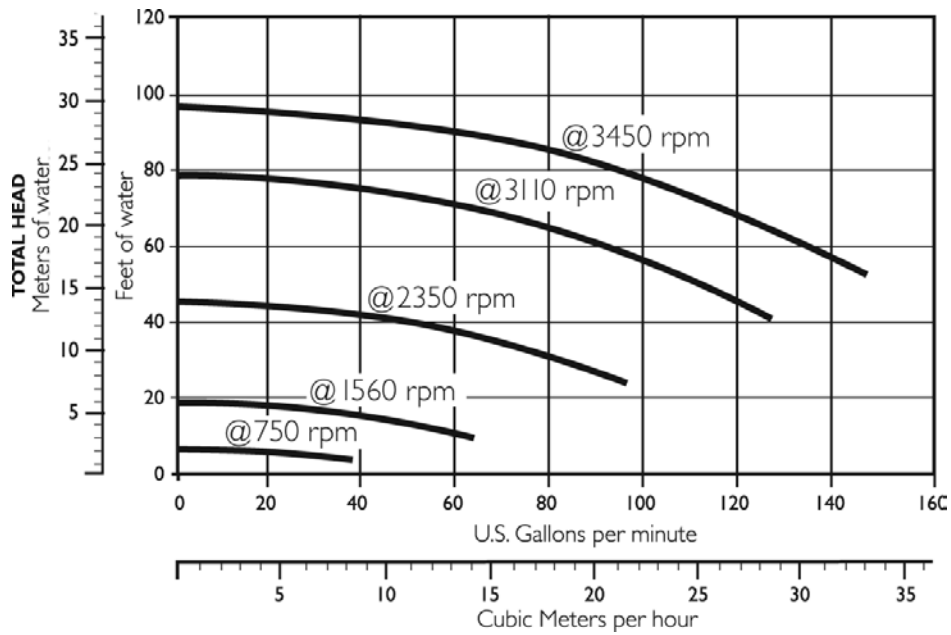


Four function buttons to set speeds for filtration cycles, spas, water features, and more

Speed adjustment buttons – you or your pool professional dial in the most efficient speed for each application

Alarm Status light – a sequence of blinks alerts you of conditions that may need attention

Dimensions and Performance



See page 466-467 for replacement parts

Max-E-Pro™ Pumps

High-Efficiency Pool/Spa Pumps



Max-E-Pro High-Efficiency Pool/Spa Pump

Featured Highlights

- Typical Installation – Inground pools, pool/spa combinations, inground spas, fountains and water features
- Self-priming – Suction lift up to 15' above water level
- Easy-to-Install – 2" ports include external and internal threads for more plumbing options
- Superior Hydraulic Design – Moves larger volumes of water, resulting in lower operating costs
- Impeller Manufactured With Noryl® – Withstands the toughest water environments
- Viton Shaft Seal – Longer-lasting seal stands up to the harshest environments
- Self-lubricating Lid O-ring – Does not require lubricant

P6 & 5P6R SERIES – High efficiency, low maintenance and maximum performance – all the features demanded by today's pool professionals. The Max-E-Pro has our new Quick-Lock™ trap cover ring and the 2" ports incorporate internal and external threads. Available in single- and two-speed models, with ratings from 1/2 to 3 HP. Built with quality construction using a durable one-piece pump housing constructed of Dura-Glas™ – Sta-Rite's industry leading glass-reinforced composite resin. Fast cleaning with a new Quick-Lock trap cover ring permits fast access to strainer basket. Large "see-thru" lid makes it simple to check for debris. A strong, sturdy, specially-designed base dampens sound and vibration, making the Max-E-Pro one of the quietest pumps in its class.

Ordering Information

Product	Voltage	Full Load Amps	HP	SF	SFHP	Primary Listings and Certifications ³	Port Size (NPT)	Carton Wt (Lbs)	Curve Key
ENERGY EFFICIENT SINGLE SPEED FULL RATED									
P6E6C-204L	115/230	11/5.5	1/2	1.90	0.95	UL ¹ , NSF ²	2" X 2"	46	C
P6E6D-205L	115/230	13.8/6.9	3/4	1.65	1.25	UL ¹ , NSF ²	2" X 2"	47	D
P6E6E-206L	115/230	16/8	1	1.65	1.65	UL ¹ , NSF ²	2" X 2"	49	E
P6E6F-207L	230	10.4	1 1/2	1.47	2.20	UL ¹ , NSF ²	2" X 2"	55	F
P6E6G-208L	230	11.2	2	1.30	2.60	UL ¹ , NSF ²	2" X 2"	57	G
P6E6H-209L	230	15.0	3	1.15	3.45	UL ¹ , NSF ²	2" X 2"	62	H
ENERGY EFFICIENT SINGLE SPEED UP RATED									
P6EA6E-205L	115/230	13.8/6.9	1	1.25	1.25	UL ¹ , NSF ²	2" X 2"	46	D
P6EA6F-206L	115/230	16/8	1-1/2	1.10	1.65	UL ¹ , NSF ²	2" X 2"	48	E
P6EAA6F-216L	230	10.4	1-3/4	1.25	1.93	UL ¹ , NSF ²	2" X 2"	54	F
P6EA6G-207L	230	10.4	2	1.10	2.20	UL ¹ , NSF ²	2" X 2"	54	F
P6EAA6G-208L	230	11.2	2-1/2	1.00	2.50	UL ¹ , NSF ²	2" X 2"	57	G
STANDARD EFFICIENCY SINGLE SPEED FULL RATED									
P6R6D-205L	115/230	15.3/7.6	3/4	1.65	1.25	UL ¹ , NSF ²	2" X 2"	40	D
P6R6E-206L	115/230	19.2/9.6	1	1.65	1.65	UL ¹ , NSF ²	2" X 2"	45	E
P6R6F-207L	115/230	21.0/10.5	1-1/2	1.47	2.20	UL ¹ , NSF ²	2" X 2"	51	F
P6R6G-208L	230	11.5	2	1.30	2.60	UL ¹ , NSF ²	2" X 2"	53	G
P6R6H-209L	230	14.1	3	1.15	3.45	UL ¹ , NSF ²	2" X 2"	58	H
STANDARD EFFICIENCY SINGLE SPEED UP RATED									
P6RA6E-205L	115/230	15.3/7.6	1	1.25	1.25	UL ¹ , NSF ²	2" X 2"	40	D
P6RA6F-206L	115/230	19.2/9.6	1-1/2	1.10	1.65	UL ¹ , NSF ²	2" X 2"	45	E
P6RAA6F-216L	230	12.0	1-3/4	1.25	1.93	UL ¹ , NSF ²	2" X 2"	50	F
P6RA6G-207L	230	12.0	2	1.10	2.20	UL ¹ , NSF ²	2" X 2"	51	F

Max-E-Pro™ Pumps (Cont'd)

High-Efficiency Pool/Spa Pumps

Ordering Information

Product	Voltage	Full Load Amps	HP	SF	SFHP	Primary Listings and Certifications ³	Port Size (NTP)	Carton Wt (Lbs)	Curve Key	
ENERGY EFFICIENT SINGLE SPEED FULL RATED 3-PHASE										
P6R6C3-204	208-230/460	3.2-3.0/1.5	1/2	1.9	0.95	NSF ²	2" X 2"	38	C	
P6R6D3-205	208-230/460	3.8-3.6/1.8	3/4	1.65	1.25	NSF ²	2" X 2"	39	D	
P6R6E3-206	208-230/460	5.0-4.6/2.3	1	1.65	1.65	NSF ²	2" X 2"	41	N	
P6R6F3-207	208-230/460	6.4-5.8/2.9	1-1/2	1.47	2.20	NSF ²	2" X 2"	48	F	
P6R6G3-208	208-230/460	7.1-6.8/3.4	2	1.30	2.60	NSF ²	2" X 2"	50	G	
P6R6H3-209	208-230/460	11.0-10.4/5.2	3	1.15	3.45	NSF ²	2" X 2"	59	H	
SINGLE SPEED FULL RATED FOR LOW VOLTAGE APPLICATIONS- 3 PHASE										
P6R62D3-186	200-400	3.8/1.9	3/4	1.65	1.25	NSF ²	2" X 2"	42	D	
P6R62E3-187	200-400	5.2/2.6	1	1.65	1.65	NSF ²	2" X 2"	48	N	
P6R62E3-188	200-400	7.6/3.8	1-1/2	1.47	2.20	NSF ²	2" X 2"	50	F	
P6R62E3-189	200	9.8	2	1.30	2.60	NSF ²	2" X 2"	52	G	
SINGLE SPEED FULL RATED FOR LOW VOLTAGE APPLICATIONS- 3 PHASE										
P6EA6D36-204	575	1.2	3/4	1.50	1.12	NSF ²	2" X 2"	39	D	
P6EA6E36-205	575	1.5	1	1.40	1.40	NSF ²	2" X 2"	41	N	
P6EA6F36-206	575	1.9	1-1/2	1.10	1.65	NSF ²	2" X 2"	48	F	
P6EA6G36-207	575	3.2	2	1.00	2.00	NSF ²	2" X 2"	50	G	
P6E6H36-209	575	3.9	3	1.15	3.45	NSF ²	2" X 2"	59	H	
ENERGY EFFICIENT TWO SPEED 3450 RPM, LOW SPEED 1725 RPM UP RATED										
P6RA6YF-206L	230	9.2/2.5	1-1/2	1.10	1.65	UL ¹ , NSF ²	2" X 2"	48	A, E	
P6RA6YG-207L	230	10.1/3.7	2	1.10	2.20	UL ¹ , NSF ²	2" X 2"	49	B, F	
50 HZ ENERGY EFFICIENT SINGLE SPEED										
5P6R6D-209	115/220-240	12.2/6.1	3/4	1.65	1.25		2" X 2"	39	I	
5P6R6E-210	115/220-240	15.4/7.7	1	1.25	1.25		2" X 2"	41	J	
5P6R6F-211	115/220-240	19.4/9.7	1.5	1.10	1.65		2" X 2"	48	K	
5P6R6G-212	220-240	10.5	2	1.10	2.20		2" X 2"	50	L	
5P6R6H-213	220-240	13.9	3	1.00	3.00		2" X 2"	59	M	
50 HZ ENERGY EFFICIENT SINGLE SPEED- 3 PHASE										
5P6R6D3-209	220-240/380-415	3.6/2.1	3/4	1.27	.95		2" X 2"	38	I	
5P6R6E3-210	220-240/380-415	4.0/2.3	1	1.25	1.25		2" X 2"	40	J	
5P6R6F3-211	220-240/380-415	5.15/3.0	1-1/2	1.10	1.65		2" X 2"	47	K	
5P6R6G3-212	220-240/380-415	6.6/3.8	2	1.10	2.20		2" X 2"	49	L	
5P6R6H3-213	220-240/380-415	8.0/4.7	3	1.00	3.00		2" X 2"	58	M	
ACCESSORIES										
77703-0100	2" Union Half X 1-1/2" FPT - Package Of Two								1	
77703-0101	2" Union Half X 1-1/2" Slip - Package Of Two								1	
PKG 188	2" Union Half X 2" Slip - Package Of Two								1	
PKG 189	2" Union Half X 2" FPT - Package Of Two								1	

¹UL' indicates that pump bears a specific UL mark signifying evaluation to U.S. Standards UL1081 for Permanently Connected Swimming Pool and Spa Pumps and to Canadian Standards CAN/CSA C22.2 No. 108-01 Liquid Pumps For Swimming Pools And Spas. (Enclosure 3).

²'NSF' indicates that pump bears a NSF mark signifying evaluation to NSF Standard 50 For Self-Priming Centrifugal Pumps For Swimming Pools, Spas and Hot Tubs.

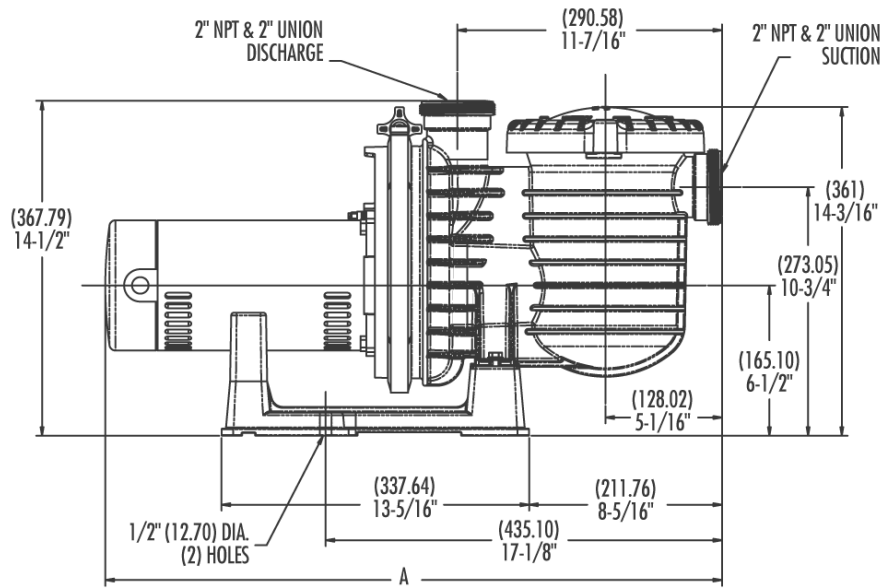
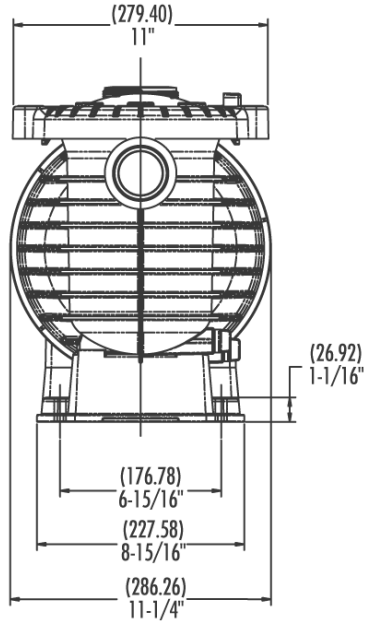
³Product may have been evaluated to other state and local regulatory standards. Listing status may change. Always confirm status with appropriate agency if in doubt.

NOTE: Noryl® is a registered trademark of General Electric Co. and Viton is a registered trademark of Dupont Performance Elastomers, LLC.

Max-E-Pro™ Pumps (Cont'd)

High-Efficiency Pool/Spa Pumps

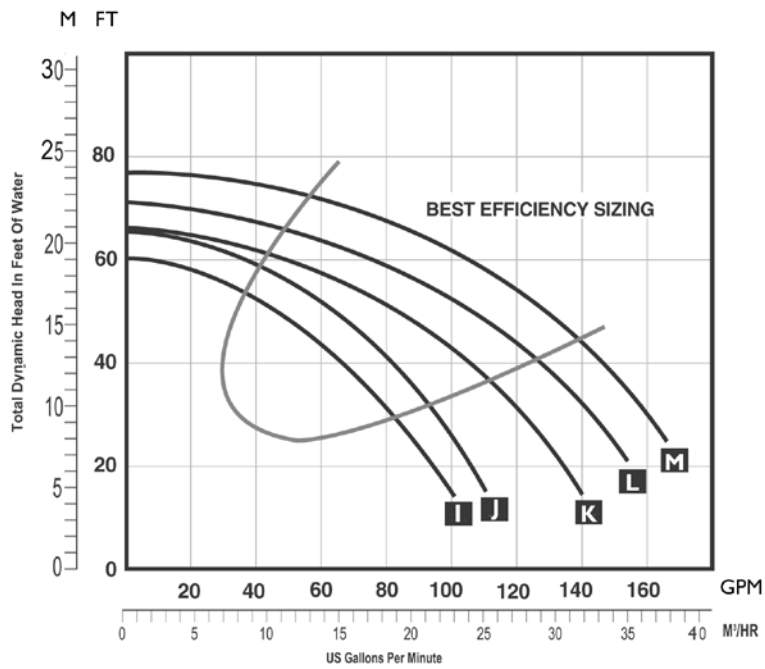
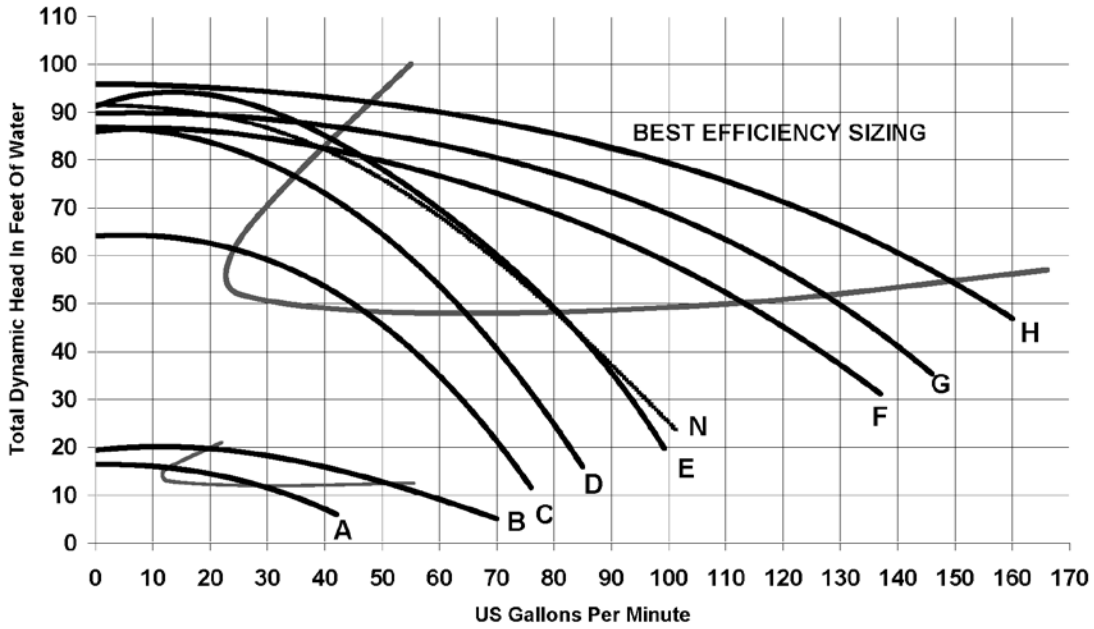
Dimensions and Performance



See page 468-469 for replacement parts.

Max-E-Pro™ Pumps (Cont'd)

High-Efficiency Pool/Spa Pumps



50 HZ Models Only

SuperMax® Pumps

High Performance Pumps



SuperMax Pump

Featured Highlights

- SuperMax by Sta-Rite® is a direct replacement for the Hayward® Super Pump®
- Single and two-speed models ranging from ½ to 2 ½Hp
- Cam and Ramp lid locks and unlocks with a simple quarter turn
- Exterior thermoplastic resin withstands temperature extremes and delivers long life

The new SuperMax® pump from Sta-Rite features a commercial grade, 56 square flange motor for top performance in residential swimming pools. SuperMax is a superior drop-in replacement for Super Pump. The advantage for consumers is its quiet operation and economical performance. The benefit to pool professionals is its ease of installation (union fittings are included and the pump easily drops in place) and reliability.

Ordering Information

Product	Model	Voltage	Full Load Amps	HP	SF	SFHP	Primary Listings and Certifications ³	Port Size (NPT)	Carton Wt (Lbs)	Curve Key
ENERGY EFFICIENT SINGLE SPEED										
PHK2E6C-100L	NI-1/2AE-HP	115/208-230	8.8/4.5-4.4	1/2	1.90	0.95	UL ¹	1.5" x 1.5"	38	E
PHK2E6D-101L	NI-3/4AE-HP	115/208-230	8.8/4.5-4.4	3/4	1.25	0.95	UL ¹	1.5" x 1.5"	38	F
PHK2E6E-102L	NI-1AE-HP	115/208-230	14.8/7.8-7.4	1	1.10	1.25	UL ¹	1.5" x 1.5"	38	G
PHK2E6F-103L	NI-1-1/2AE-HP	208-230	9.6-8.8	1-1/2	1.10	1.65	UL ¹	1.5" x 1.5"	40	H
PHK2E6G-104L	NI-2AE-HP	208-230	11.0-10.2	2	1.04	2.20	UL ¹	1.5" x 1.5"	48	I
PHK2EAA6G-105L	NI-2-1/2AE-HP	208-230	11.0-10.2	2-1/2	1.04	2.60	UL ¹	1.5" x 1.5"	54	J
STANDARD EFFICIENCY SINGLE SPEED										
PHK2RA6C-100L	NI-1/2F-HP	115/230	10.8/5.4	1/2	1.95	0.95	UL ¹ , NSF ²	1.5" x 1.5"	38	E
PHK2RA6D-101L	NI-3/4A-HP	115/230	10.8/5.4	3/4	1.25	0.95	UL ¹ , NSF ²	1.5" x 1.5"	38	F
PHK2RA6E-102L	NI-1A-HP	115/230	14.2/7.1	1	1.25	1.25	UL ¹ , NSF ²	1.5" x 1.5"	38	G
PHK2RA6F-103L	NI-1-1/2A-HP	115/230	16.0/8.0	1-1/2	1.10	1.65	UL ¹ , NSF ²	1.5" x 1.5"	40	H
PHK2RA6G-104L	NI-2A-HP	115/230	22.4/11.2	2	1.10	2.20	UL ¹ , NSF ²	1.5" x 1.5"	48	I
PHK2RAA6G-105L	NI-2-1/2A-HP	230	11.5	2-1/2	1.04	2.60	UL ¹ , NSF ²	1.5" x 1.5"	54	J
ENERGY EFFICIENT TWO SPEED 3450 RPM, LOW SPEED 1725 RPM										
PHK2RAY6D-101L	N2-3/4A-HP	115	14.6/4.7	3/4	1.67	1.25	UL ¹ , NSF ²	1.5" x 1.5"	39	A, F
PHK2RAY6E-102L	N2-1A-HP	230	6.0/2.3	1	1.25	1.25	UL ¹ , NSF ²	1.5" x 1.5"	39	B, G
PHK2RAY6F-103L	N2-1-1/2A-HP	230	7.8/3.0	1-1/2	1.10	1.65	UL ¹ , NSF ²	1.5" x 1.5"	41	C, H
PHK2RAY6G-104L	N2-2A-HP	230	10.0/3.5	2	1.10	2.20	UL ¹ , NSF ²	1.5" x 1.5"	49	D, I
ACCESSORIES										
351157	Union Kit - 1.5" Internal Slip X 2" External Slip									I

¹ 'UL' indicates that pump bears a UL mark signifying evaluation to U.S. Standards ULI1081 for Permanently Connected Swimming Pool and Spa Pumps and to Canadian Standards CAN/CSA C22.2 No. 108-01 Liquid Pumps For Swimming Pools Only (Enclosure 3).

² 'NSF' indicates that pump bears a NSF mark signifying evaluation to NSF Standard 50 For Self-Priming Centrifugal Pumps For Swimming Pools Only.

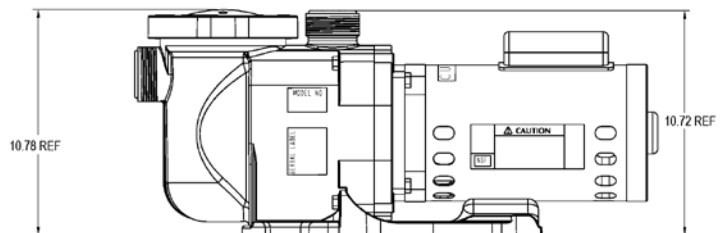
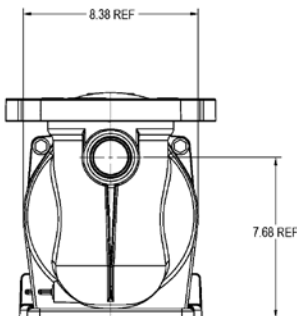
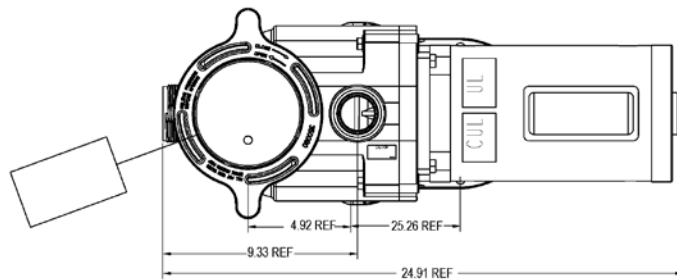
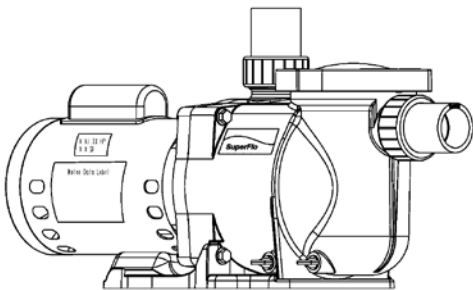
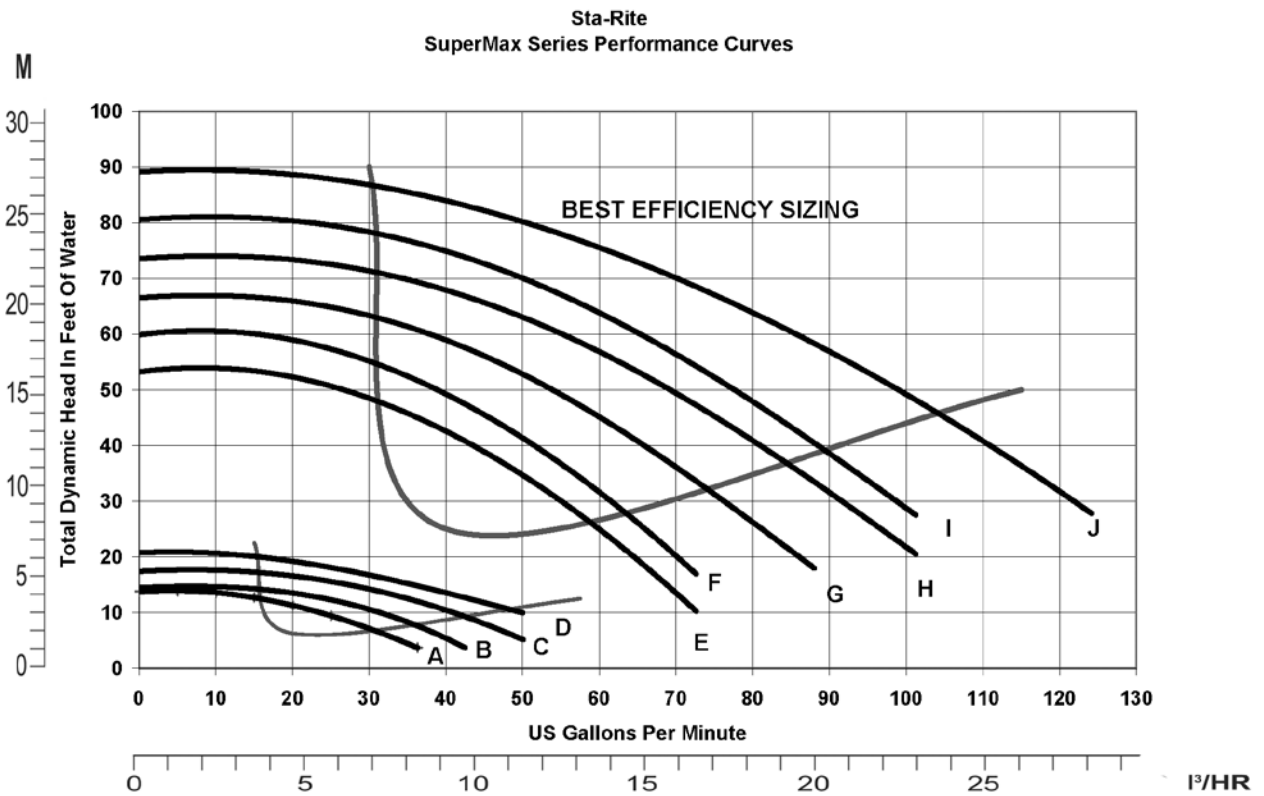
³ Product may have been evaluated to other state and local regulatory standards. Listing status may change. Always confirm status with appropriate agency if in doubt.

* Hayward® and Super Pump® are registered trademarks of Hayward Industries, Inc.

SuperMax[®] Pumps

High Performance Pumps

Dimensions and Performance



See page 480 for replacement parts.

Dyna-Pro® Pumps

Self-Priming Medium Head Pool/Spa Pumps



Dyna-Pro Pump

A rapid, self-priming, medium head pump in ½ through 2 ½ HP with an extra large, integral hair and lint strainer. Precision-molded with Sta-Rite's exclusive thermoplastic composite resin that is highly corrosion resistant.

Featured Highlights

- Superior hydraulic design and optional energy-efficient motor deliver effortless performance, energy savings, and extended pump life
- High-capacity trap holds a large amount of debris for longer periods between cleanings
- The Cam and Ramp™ lid is easy to remove and locks in place with a quarter turn, making inspection and cleaning a breeze
- Quick-disconnect plumbing unions for faster disassembly and easier service

Ordering Information

Product	Voltage	Full Load Amps	HP	SF	SFHP	Primary Listings and Certifications ³	Port Size (NTP)	Carton Wt (Lbs)	Curve Key
ENERGY EFFICIENT SINGLE SPEED FULL RATED									
MPE6C-204L	115/230	11.0/5.5	1/2	1.90	0.95	UL ¹ , NSF ²	2" X 2"	37	D
MPE6D-205L	115/230	13.8/6.9	3/4	1.65	1.25	UL ¹ , NSF ²	2" X 2"	39	E
MPE6E-206L	115/230	16.0/8.0	1	1.65	1.65	UL ¹ , NSF ²	2" X 2"	44	F
MPE6F-207L	230	10.4	1-1/2	1.47	2.20	UL ¹ , NSF ²	2" X 2"	51	G
MPE6G-208L	230	11.2	2	1.30	2.60	UL ¹ , NSF ²	2" X 2"	54	H
ENERGY EFFICIENT SINGLE SPEED UP RATED									
MPEA6D-204L	115/230	11.0/5.5	3/4	1.27	0.95	UL ¹ , NSF ²	2" X 2"	37	D
MPEA6E-205L	115/230	13.8/6.9	1	1.25	1.25	UL ¹ , NSF ²	2" X 2"	39	E
MPEA6F-206L	115/230	16.0/8.0	1-1/2	1.10	1.65	UL ¹ , NSF ²	2" X 2"	44	F
MPEA6G-207L	230	10.4	2	1.10	2.20	UL ¹ , NSF ²	2" X 2"	51	G
MPEAA6G-208L	230	11.2	2-1/2	1.04	2.60	UL ¹ , NSF ²	2" X 2"	54	H
STANDARD EFFICIENCY SINGLE SPEED UP RATED									
MPRA6D-204L	115/230	13.4/6.7	3/4	1.27	0.95	UL ¹ , NSF ²	2" X 2"	35	D
MPRA6E-205L	115/230	15.3/7.6	1	1.25	1.25	UL ¹ , NSF ²	2" X 2"	37	E
MPRA6F-206L	115/230	19.2/9.6	1-1/2	1.10	1.65	UL ¹ , NSF ²	2" X 2"	42	F
MPRA6G-207L	230	12.0	2	1.10	2.20	UL ¹ , NSF ²	2" X 2"	49	G
ENERGY EFFICIENT TWO SPEED 3450 RPM, LOW SPEED 1725 RPM UP RATED									
MPEA6YG-207L	230	10.1/3.7	2	1.10	2.20	UL ¹ , NSF ²	2" X 2"	53	B, G
MPEAA6YG-208L	230	11.9/3.5	2-1/2	1.04	2.60	UL ¹ , NSF ²	2" X 2"	57	C, H
STANDARD EFFICIENCY TWO SPEED 3450 RPM, LOW SPEED 1725 RPM UP RATED									
MPRA6YF-206L	230	9.2/2.5	1-1/2	1.10	1.65	UL ¹ , NSF ²	2" X 2"	45	A, F
ACCESSORIES									
77703-0100	2" Union Half X 1-1/2" FPT - Package Of Two							1	
77703-0101	2" Union Half X 1-1/2" Slip - Package Of Two							1	
PKG 188	2" Union Half X 2" Slip - Package Of Two							1	
PKG 189	2" Union Half X 2" FPT - Package Of Two							1	
C3-185P3	Acrylic Trap Lid (Biguanide resistant)							1	
U79-11	Trap Lid Wrench							1	
I7350-0008	Rubber Pump Base Pad							1	

1. 'UL' indicates that pump bears a specific UL mark signifying evaluation to U.S. Standards UL1081 for Permanently Connected Swimming Pool and Spa Pumps and to Canadian Standards CAN/CSA C22.2 No. 108-01 Liquid Pumps For Swimming Pools And Spas. (Enclosure 3).

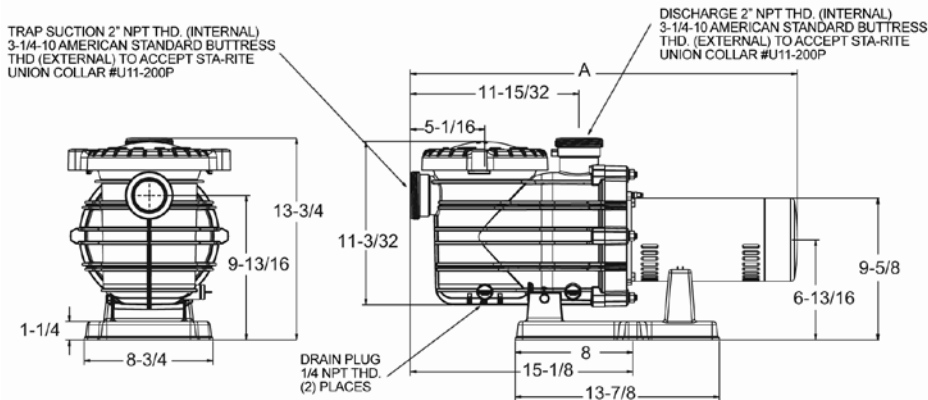
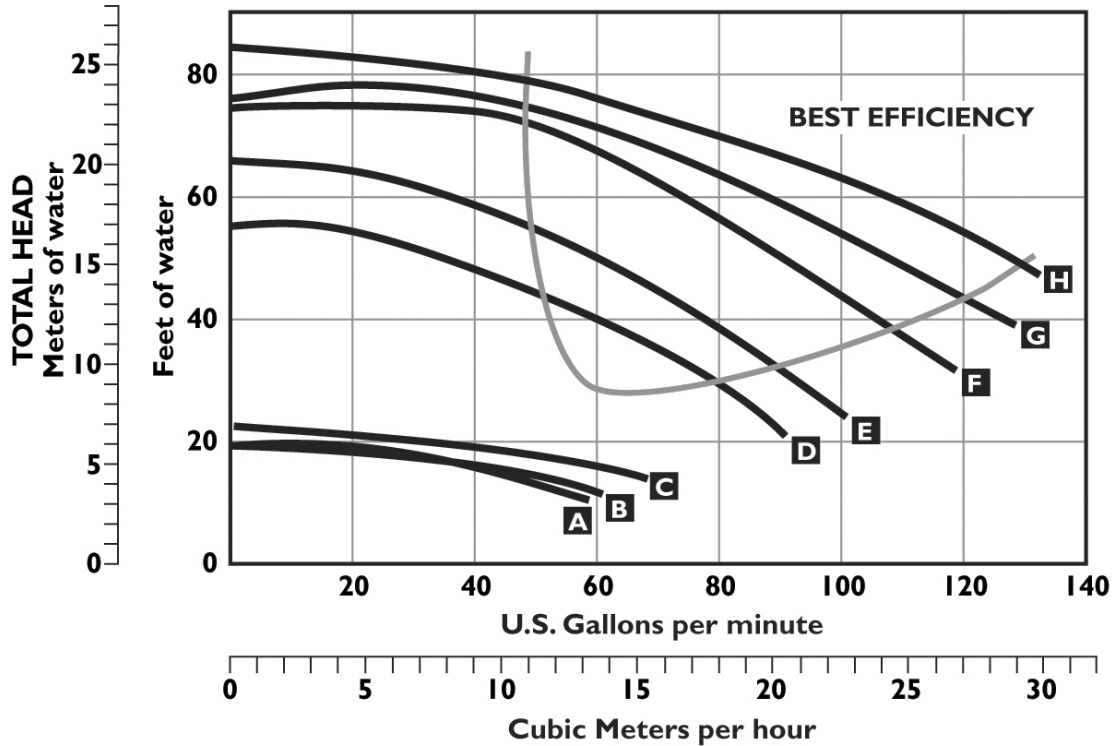
2. 'NSF' indicates that pump bears a NSF mark signifying evaluation to NSF Standard 50 For Self-Priming Centrifugal Pumps For Swimming Pools, Spas and Hot Tubs.

3. Product may have been evaluated to other state and local regulatory standards. Listing status may change. Always confirm status with appropriate agency if in doubt.

Dyna-Pro® / Dyna-Pro® E Pumps

Self-Priming Medium Head Pool/Spa Pumps

Dimensions and Performance



Catalog Number	Dimension "A"
MPRA6DL	25-1/8
MPRA6EL	25-1/2
MPRA6FL	26-1/2
MPRA6GL	27
MPRA6YFL	26-1/2
MPEA6DL	25-5/8
MPEA6EL	26
MPEA6FL	26-5/8
MPEA6GL	26-5/8
MPEAA6GL	27-1/4
MPEA6YGL	26-5/8
MPEAA6YGL	27-1/4

All dimensions shown in inches.

See page 481 for replacement parts.

Dynamo® Pumps

Swimming Pool Pumps



Dynamo Pump With Cord

Featured Highlights

- Self-priming design ensures long life
- Reinforced fiberglass for strength and durability
- Large capacity basket with see-thru lid
- Unique diffuser and impeller for excellent flow rates
- Easy access drain plugs

All components designed for maximum performance and economy in an aboveground swimming pool pump.

Ordering Information

Product	Model	Voltage	Full Load Amps	HP	Cord Length (Ft.)	Full Pipe Size	Carton Wt (Lbs)
SINGLE-SPEED WITH CORD							
340194	DYNII-NI- 3/4 HP	115V Only	9.2	3/4	3' STD	1-1/2"	33
340314	DYNII-NI- 3/4 HP	115V Only	9.2	3/4	3' TWL	1-1/2"	33
340197	DYNII-NI-1 HP	115V Only	12.0	1	3' STD	1-1/2"	37
340210	DYNII-NI-1-1/2 HP	115V Only	12.0	1-1/2	3' STD	1-1/2"	37
340316	DYNII-NI-1 HP	115V Only	12.0	1	3' TWL	1-1/2"	37
340219	DYNII-NI-2 HP	115V Only	16.0	2	3' STD	1-1/2"	42
SINGLE-SPEED WITH CORD, BASE, AND ON/OFF SWITCH							
340288	DYNII-NI- 3/4 HP	115V Only	9.2	3/4	25' STD	1-1/2"	33
340289	DYNII-NI-1 HP	115V Only	12.0	1	25' STD	1-1/2"	37
340290	DYNII-NI-1-1/2 HP	115V/230V	16.0	1-1/2	25' STD	1-1/2"	42
ONE-SPEED WITHOUT CORD							
340103	DYNII-NI- 3/4 HP	115V Only	9.2	3/4	N/A	1-1/2"	33
340104	DYNII-NI-1 HP	115V Only	12.0	1	N/A	1-1/2"	37
340106	DYNII-NI 1-1/2 HP	115/230V	16.0/8.0	1-1/2	N/A	1-1/2"	42
TWO-SPEED WITHOUT CORD							
340203	DYNII-N2- 3/4 HP	115V Only	8.8/2.6	3/4	N/A	1-1/2"	33
340204	DYNII-N2 1 HP	115V Only	11.0/2.9	1	N/A	1-1/2"	37
340206	DYNII-N2 1-1/2 HP	115V Only	16.4/4.4	1-1/2	N/A	1-1/2"	42
TWO-SPEED WITH CORD							
340542	DYNII-N2-1-1/2HP	115V Only	16.4/4.4	1-1/2	3' TWL	1-1/2"	42
ACCESSORIES							
354113	Chemical Resistant Lid						

NOTE: TWL = Twist Lock Cord, STD = Standard Cord

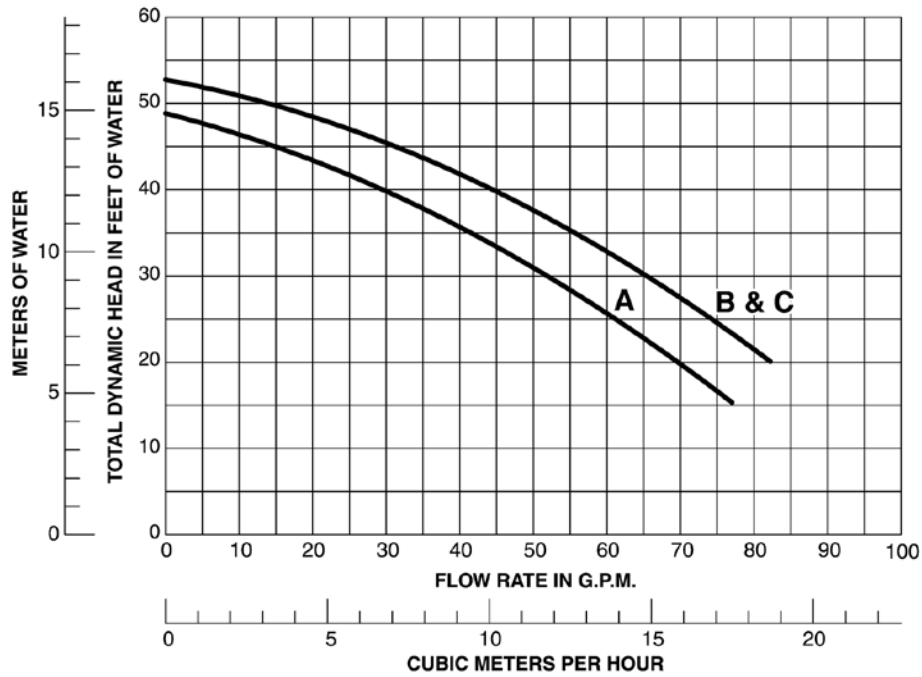
Dynamo® Pumps

Swimming Pool Pumps

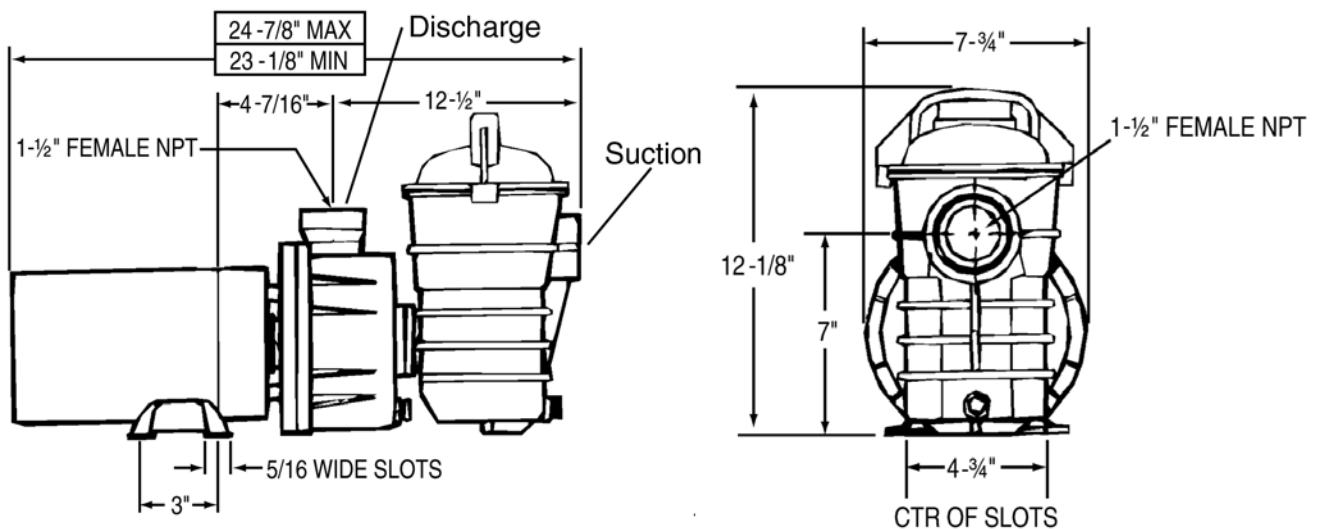
Dimensions and Performance



**PUMP PERFORMANCE CURVE
DYNAMO PUMPS**



A = 3/4 HP, B = 1 HP, C = 1 1/2 HP



See page 483 for replacement parts.

OptiFlo® Pumps

OptiFlo® Pumps for Aboveground Pools



OptiFlo Pump
Protected by US Patent 7,207,604

Featured Highlights

- Large strainer basket
- Cam and Ramp lid lock
- See-thru lid
- Unionized discharge port connection
- Easy to service
- User-friendly removable drain plugs
- Metal base on motor
- Drop-in replacement for Hayward® PowerFlo Matrix® Pump

OptiFlo® pumps for aboveground pools feature a revolutionary design that delivers dependable high flow performance. The OptiFlo features a 48 frame-thru bolt motor, easy access to change the discharge port position, service the impeller, and an exclusive Cam and Ramp™ lid. The OptiFlo is available with 3 ft. cord, with a twist lock or standard plug.

Ordering Information

Product	Discharge	Voltage	HP	Cord Length (Ft)	Full Pipe Size	Carton Wt (Lbs)
CORDS W/STANDARD PLUGS						
347981	Horizontal	115	3/4	3' STD	1-1/2"	20
347984	Vertical	115	3/4	3' STD	1-1/2"	20
347982	Horizontal	115	1	3' STD	1-1/2"	22
347985	Vertical	115	1	3' STD	1-1/2"	22
347983	Horizontal	115	1-1/2	3' STD	1-1/2"	24
347986	Vertical	115	1-1/2	3' STD	1-1/2"	24
340078	Horizontal	115	2	3' STD	1-1/2"	24
CORDS W/TWIST LOCK PLUGS						
340066	Horizontal	115	3/4	3' TWL	1-1/2"	20
340065	Vertical	115	3/4	3' TWL	1-1/2"	20
347988	Horizontal	115	1	3' TWL	1-1/2"	22
347987	Vertical	115	1	3' TWL	1-1/2"	22
347989	Horizontal	115/230	1-1/2	3' TWL	1-1/2"	24
340067	Vertical	115/230	1-1/2	3' TWL	1-1/2"	24
340069	Horizontal	115	2	3' TWL	1-1/2"	24
2 SPEED MOTORS						
347991	Horizontal	115	1	3' STD	1-1/2"	22
347990	Vertical	115	1	3' STD	1-1/2"	22
340071	Horizontal	115	1	3' TWL	1-1/2"	22
340070	Vertical	115	1	3' TWL	1-1/2"	22
340079	Horizontal	115	1-1/2	3' STD	1-1/2"	24
347992	Vertical	115	1-1/2	3' STD	1-1/2"	24
340073	Horizontal	115	1-1/2	3' TWL	1-1/2"	24
340072	Vertical	115	1-1/2	3' TWL	1-1/2"	24
340077	Horizontal	115	2	3' STD	1-1/2"	24
340076	Horizontal	115	2	3' TWL	1-1/2"	24

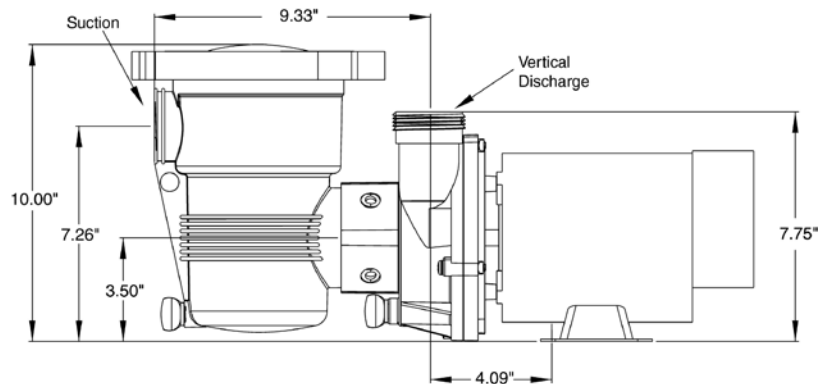
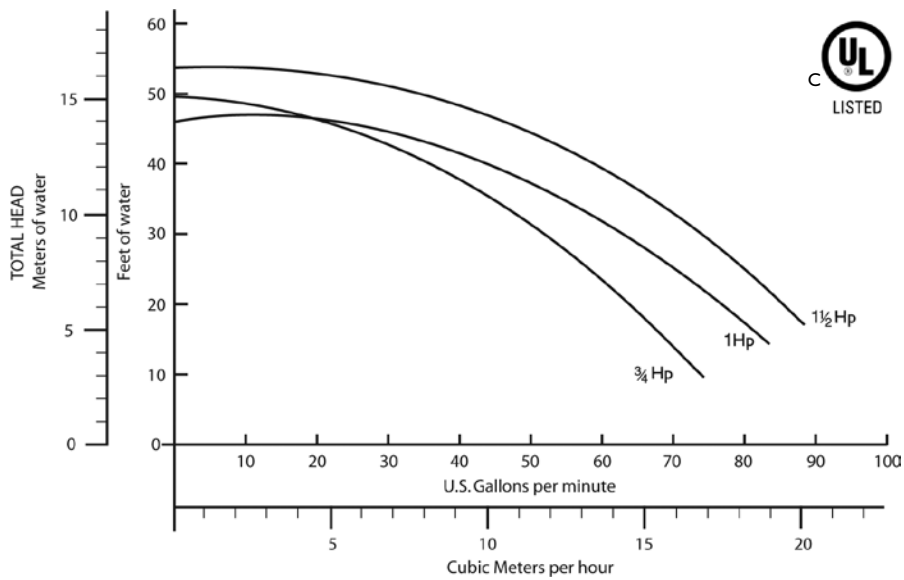
* Hayward® and PowerFlo Matrix® are registered trademarks of Hayward Industries, Inc.

OptiFlo® Pumps (Cont'd)

Product	Discharge	Voltage	HP	Cord Length (Ft)	Full Pipe Size	Carton Wt (Lbs)
CSA WITH 25 FOOT CORD						
347993	Horizontal	115	3/4	25' STD	1-1/2"	20
347996	Vertical	115	3/4	25' STD	1-1/2"	20
347994	Horizontal	115	1	25' STD	1-1/2"	22
347997	Vertical	115	1	25' STD	1-1/2"	22
347995	Horizontal	115/230	1-1/2	25' STD	1-1/2"	24
347998	Vertical	115/230	1-1/2	25' STD	1-1/2"	24
60 Hz MOTORS WITHOUT CORD AND SWITCH						
340088	Vertical	230	3/4	N/A	1-1/2"	20
340089	Vertical	230	1	N/A	1-1/2"	22
340090	Vertical	230	1-1/2	N/A	1-1/2"	24
50 Hz MOTORS WITHOUT CORD AND SWITCH						
340056	Vertical	230	3/4	N/A	1-1/2"	20
340057	Vertical	230	1	N/A	1-1/2"	22
340058	Vertical	230	1-1/2	N/A	1-1/2"	24

NOTE: TWL = Twist Lock Cord, STD = Standard Cord

Dimensions and Performance



See page 482 for replacement parts.

ABG Series Pumps

For Aboveground Pools



ABG Series Aboveground Pool Pump

ABG SERIES Exceptionally quiet operation and high-flow performance. Constructed of Sta-Rite's rugged Dura-Glas™ thermoplastic resin. Large-capacity trap and an all-weather, smooth-running motor.

Featured Highlights

- Typical Installation – Ideal for aboveground pool
- Years of Service – Stands tough against temperature and weather extremes
- High-Flow – Designed to move large amounts of water at lower restrictions
- One-piece Integral Trap/Volute – Designed for easy cleaning of hair, lint, etc., and quick servicing
- Floating Wear Ring – Allows sand, pine needles and other impurities to pass through, preventing impeller lock-ups
- External Threads – Discharge port features external threads for quick-connect unions

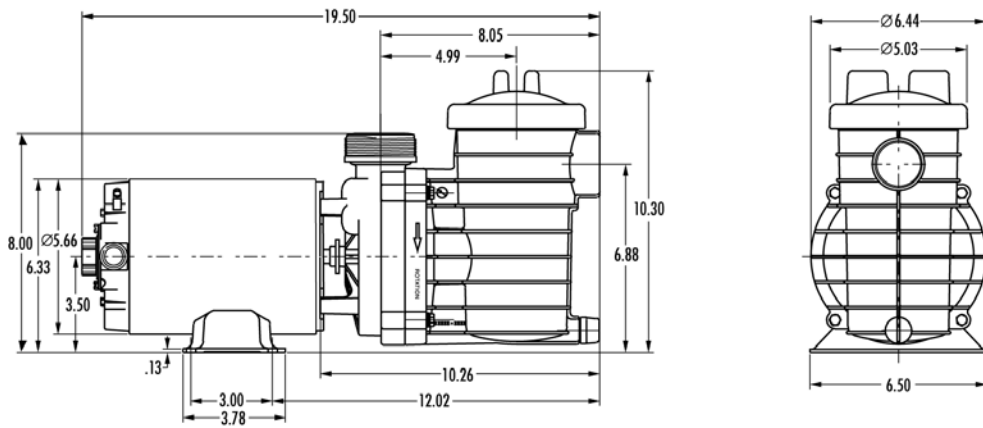
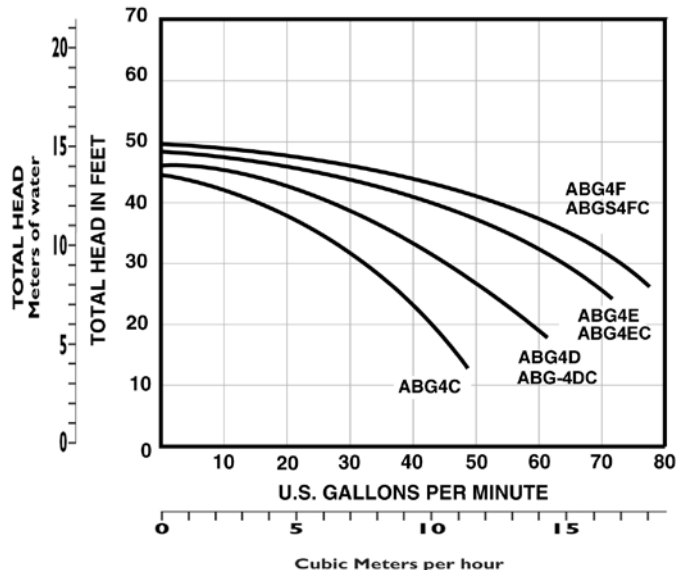
Ordering Information

Product	Motor Voltage	Nominal HP	Load Amps	Full Pipe Size	Carton Wt (Lbs)
ABG WITH 3 FT. CORD AND 3-PRONG GROUNDED PLUG					
ABG4CL-3A2	115	1/2	8	1-1/2"	23
ABG4DL-2A2	115	3/4	9	1-1/2"	24
ABG4EL-2A2	115	1	12	1-1/2"	25
ABGS4FL-A2	115	1-1/2	12	1-1/2"	25
ABG WITH 3 FT. CORD NEC TWIST-LOCK PLUG					
ABG4DL-2A1	115	3/4	9	1-1/2"	24
ABG4EL-2A1	115	1	12	1-1/2"	25
ABG4FL-2A1	115	1-1/2	16	1-1/2"	25
2-SPEED ABG WITH 3 FT. CORD AND STANDARD PLUG					
ABG4YEL-2A2	115	1 / .16	11.7/3.4	1-1/2"	27
ABG4YF-A2	115	1-1/2 / .19	16.6/3.6	1-1/2"	28
ABG WITH 25 FT. CORD, CANOPY AND OFF/ON SWITCH					
ABG4EC-2A3	115	1	11.9	1-1/2"	29
ACCESSORIES					
31953-0101	3' Cord w/20 Amp Twist-Lock Plug				1
U117-1117	3' Cord w/15 Amp Standard Plug				1

NOTE: Horizontal discharge and 2-speed models available.

ABG Series Pumps For Aboveground Pools

Dimensions and Performance



All dimensions shown in inches.

See pages 484 for replacement parts.

JWP Series Pool Pumps

For Aboveground Pools



JWP Series Self-Priming Pool Pump

Featured Highlights

- Typical Installation – Ideal for aboveground pool and small inground pools.
- Years of Service – Stands tough against temperature and weather extremes
- External Threads – Discharge port features external threads for quick-connect unions

JWP and 5JWP SERIES Exceptionally quiet operation and high-flow performance. Constructed of Sta-Rite's rugged Dura-Glas™ thermoplastic resin. Large 5" capacity trap and an all-weather, smooth-running motor.

Ordering Information

Product	Motor Voltage	Nominal HP	Load Amps	Full Pipe Size	Carton Wt (Lbs)
JWP WITH 3 FT. CORD AND 3-PRONG GROUNDED PLUG					
JWPA5DL-2A2	115	3/4	9	1-1/2"	26
JWPA5EL-2A2	115	1	12	1-1/2"	27
JWPS5FL-A2	115	1-1/2	12	1-1/2"	27
JWP WITH 3 FT. CORD AND NECTWIST-LOC PLUG					
JWPA5DL-2A1	115	3/4	9	1-1/2"	26
JWPA5EL-2A1	115	1	12	1-1/2"	27
JWPA5FL-2A1	115	1-1/2	12	1-1/2"	27
JWP WITHOUT CORD					
JWPA5DL-2A	115	3/4	9	1-1/2"	25
JWPA5EL-2A	115	1	12	1-1/2"	27
JWPA5FL-2A	115	1-1/2	12	1-1/2"	28
2-SPEED JWP WITHOUT CORD					
JWPA5YEL-A	115	1 / .16	11.7/3.4	1-1/2"	29
JWPA5YFL-A	115	1-1/2 / .16	16.6/3.6	1-1/2"	30
2-SPEED JWP WITH 3 FT. CORD AND 3-PRONG GROUNDED PLUG					
JWPA5YEL-A2	115	1 / .16	11.7/3.4	1-1/2"	29
JWPA5YFL-A2	115	1-1/2 / .19	16.6/3.6	1-1/2"	30
JWP WITH 25 FT. CORD, CANOPY, AND ON/OFF SWITCH					
JWPA5DC-2A3	115	3/4	9	1-1/2"	26
JWPA5EC-2A3	115	1	12	1-1/2"	27
JWPS5FC-2A3	115	1-1/2	12	1-1/2"	27
50 HZ 5JWP SERIES PUMPS					
5JWPA5C-A	230	1/2	4		25
5JWPA5D-A	230	3/4	4.7		27
5JWPA5E-A	230	1	5.7		28

NOTE: For installation on existing bases. To install where no base is available, use Pump Base Assembly Kit, Catalog No. 77701-0100.

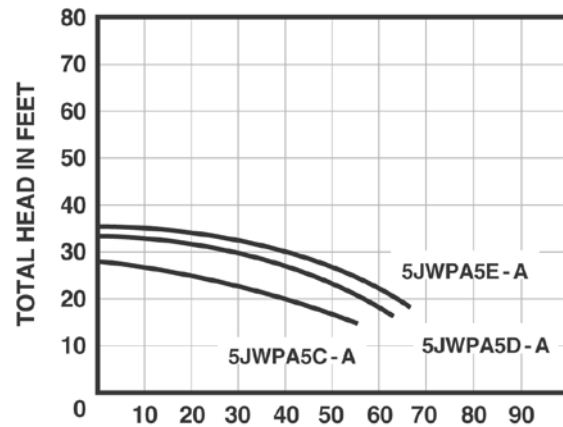
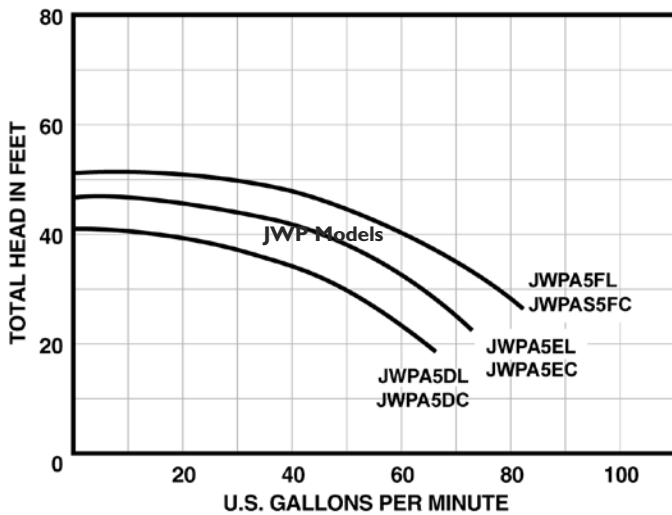
NOTE: Horizontal discharge and 2-speed models available.

JWP Series Pool Pumps (Cont'd)

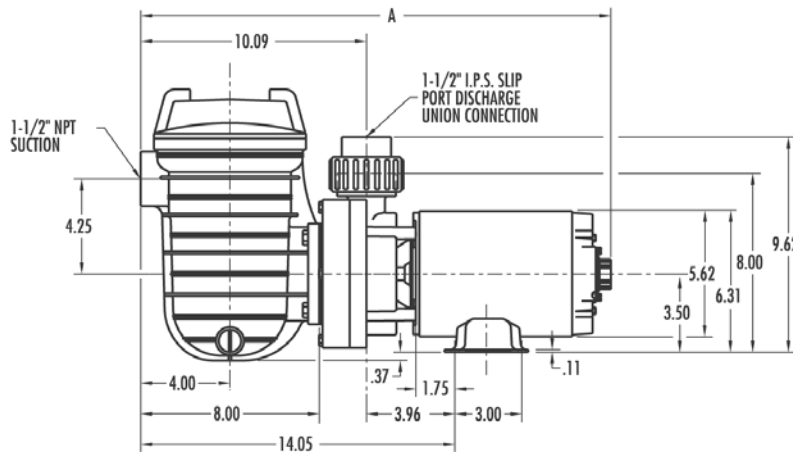
For Aboveground Pools

Product	Description	Carton Wt (Lbs)
ACCESSORIES		
31953-0101	3' Cord w/20 Amp , Twist-Lock Plug	1
U117-1117	3' Cord w/15 Amp, Standard Plug	1
77701-0100	Elevated pump base kit (includes mounting hardware)	4
C3-139P3	Acrylic Trap Lid for "JWP" Series (Biguanide Resistant)	1
C198-17M	Union	1

Dimensions and Performance

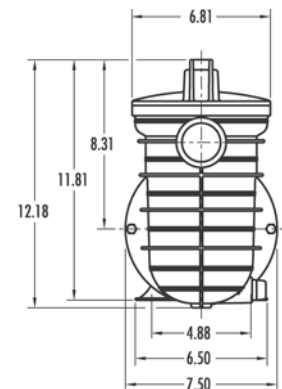
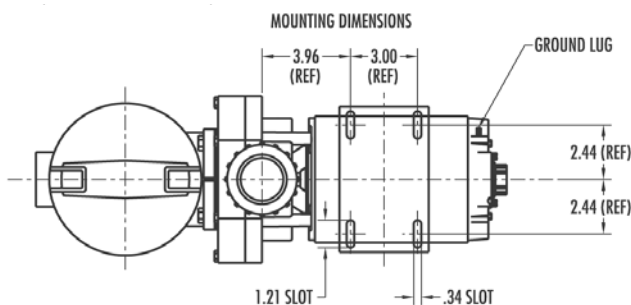


U.S. GALLONS PER MINUTE



Catalog Number	Dimension "A"
JWPA5DL-2A	21.87
JWPA5EL-2A	22.12
JWPA5FL-2A	21.50
5JWPA5C-A	20.66
5JWPA5D-A	21.16
5JWPA5E-A	21.03
JWPA5DC-2A3	23
JWPA5EC-2A3	23

All dimensions shown in inches.



See page 485 for replacement parts.

Commercial Acu Drive™ XS

Variable Frequency Drive



Featured Highlights

- High efficiency up to 98%
- Automatic Energy Optimization
- Eliminates need for motor starters
- Built-in DC link reactors for harmonic suppression - no need for external AC input line reactors
- Integrated disconnects and fusing
- Dry pump and end of curve detection
- 2-step ramps (initial ramp)
- Real-time clock
- Overload trip protection
- Indoor & Outdoor-rated enclosures
- Intuitive user interface with local control panel
- One drive type for the full power range
- For use with 3 phase pumps only

The Acu Drive XS™ offers built-in intelligence for increased performance in all aquatic pump applications. Specified to save energy, space, costs and time, the Acu Drive XS is built to be the heart of the pump room. With minimal payback time due to energy savings and equipped with a unique feature which continuously displays the time remaining until the drive pays for itself. Built with powerful standard and optional features specifically designed for energy optimization, the Acu Drive XS is perfectly matched with the full line of Pentair Water Commercial Pool and Aquatics' pumps.

Ordering Information

3 PHASE WITH REQUIRED FUSED DISCONNECT (INCLUDES FACTORY START-UP)						
Horse Power (HP)	INDOOR USE NEMA 1 (IP 20/21)			OUTDOOR USE NEMA 12 (IP 54/55)		
	200-240 VAC	360-480 VAC	525-600 VAC	200-240 VAC	360-480 VAC	525-600 VAC
5 ¹	AD050-2303-N01	AD050-4603-N01	AD050-5753-N01	AD050-2303-N12	AD050-4603-N12	AD050-5753-N12
7 1/2	AD075-2303-N01	AD075-4603-N01	AD075-5753-N01	AD075-2303-N12	AD075-4603-N12	AD075-5753-N12
10	AD100-2303-N01	AD100-4603-N01	AD100-5753-N01	AD100-2303-N12	AD100-4603-N12	AD100-5753-N12
15	AD150-2303-N01	AD150-4603-N01	AD150-5753-N01	AD150-2303-N12	AD150-4603-N12	AD150-5753-N12
20	AD200-2303-N01	AD200-4603-N01	AD200-5753-N01	AD200-2303-N12	AD200-4603-N12	AD200-5753-N12

SINGLE PHASE, INCLUDES FACTORY START-UP (DOES NOT INCLUDE FUSED DISCONNECT)		
	INDOOR USE NEMA 1 (IP 20/21) 200-240 VAC	OUTDOOR USE NEMA 12 (IP 54/55) 200-240 VAC
5	AD050-2301-N01	AD050-2301-N12
7 1/2	AD075-2301-N01	AD075-2301-N12
10	AD100-2301-N01	AD100-2301-N12

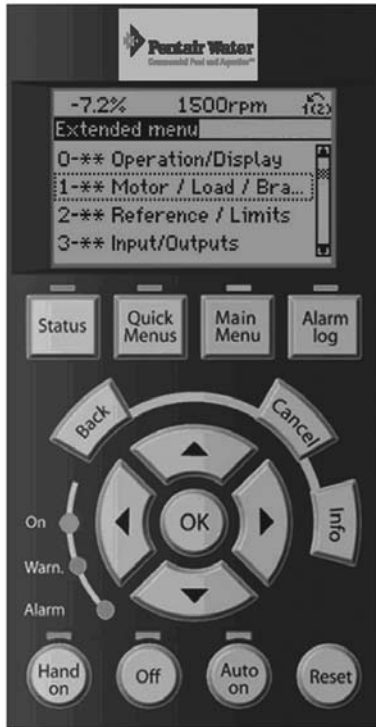
NOTE: Best efficiencies when teamed with pump motor with Class F insulation or better.

For larger horsepower models, applications sizing, pricing, and availability, call 1-800-831-7133

¹ Can be used on 3HP, 3PH pumps as well.

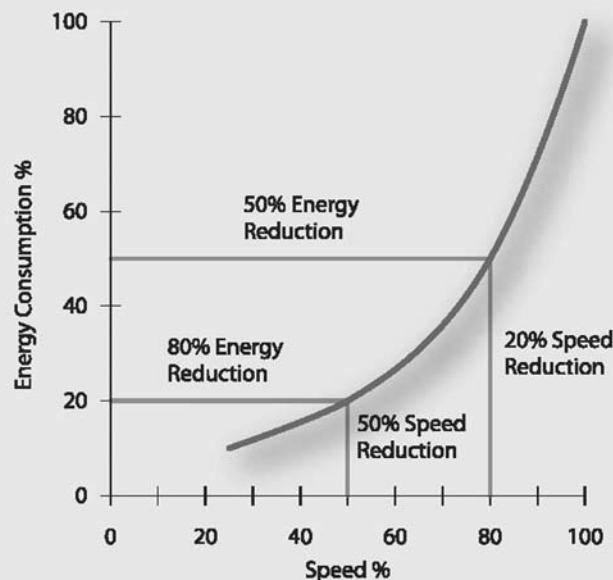
Commercial Acu Drive™ XS (Cont'd)

Variable Frequency Drive



- Every Acu Drive XS, regardless of horse power size, has the same user interface and basic features
- Every Acu Drive XS is mass produced and factory tested with a load connected, as a complete assembly
- Built in DC-link reactors reduce harmonic noise and protect the drive. Integrated EMC filters are also available to minimize RFI interference (meets EN55011 A2, A1 or B)
- Energy savings using an Acu Drive XS are achieved with even a modest reduction in speed Graphical Display
- Compatible with the Pentair Commercial Pump Line.

Ideal Energy Consumption at Varying Speed



EQ Series® Commercial Plastic Pump

With and Without Hair and Lint Strainer



EQ Series® Pump

Protected by U.S. Patent Pending and all corresponding foreign counterparts

Commercial Plastic pump built specifically for commercial and large residential pools. Pump features extraordinary electrical and hydraulic efficiency that pays premiums in low electrical costs, less wear and tear on critical moving parts, and quiet operation.

Featured Highlights

- Nema Premium Grade Efficiency Motors
- Commercial grade, non-corrosive Plastic Parts for durability and long life
- Cam and Ramp™ see thru lid
- Self-priming with Hair and Lint Strainer
- Drop-in replacement for C Series Pump
- Compatible with Acu Drive XSVFD
- Light weight
- Waterfall models great for low head, high flow applications
- Easy cleaning and serviceability
- 50 hz model available - contact factory

Ordering Information

Product	Description	Voltage	Amps	HP	SF	SFHP	Primary Listings and Certifications ⁶	Port Size (ANSI Flange)	Carton Wt (Lbs)	Curve Key
NEMA PREMIUM EFFICIENCY SINGLE PHASE POOL PUMP WITHOUT STRAINER										
340019	EQ-500	230	20.0	5	1.15	5.75	NSF ² , ETL ⁵	6" X 4"	97	A
340021	EQ-750	230	30.4	7.5	1.15	8.63	NSF ²	6" X 4"	132	B
340237	EQ-1000	230	40.0	10	1.15	11.50	NSF ²	6" X 4"	150	C
NEMA PREMIUM EFFICIENCY THREE PHASE POOL PUMP WITHOUT STRAINER										
340020	EQK-500	208-230/460	13.5-12.3/6.2	5	1.15	5.75	NSF ²	6" X 4"	77	D
340022	EQK-750	208-230/460	20.4-18.2/9.1	7.5	1.15	8.63	NSF ²	6" X 4"	87	E
340023	EQK-1000	208-230/460	27.0/26.2-13.1	10	1.15	11.50	NSF ²	6" X 4"	117	F
340024	EQK-1500	208-230/460	40.0-38.0/18.8	15	1.15	17.25	NSF ²	6" X 4"	132	G
340148	EQK-500	575	5.1	5	1.15	5.75	NSF ²	6" X 4"	77	D
340149	EQK-750	575	7.2	7.5	1.15	8.63	NSF ²	6" X 4"	87	E
340150	EQK-1000	575	10.2	10	1.15	11.50	NSF ²	6" X 4"	117	F
340151	EQK-1500	575	15.0	15	1.15	17.25	NSF ²	6" X 4"	132	G
NEMA PREMIUM EFFICIENCY SINGLE PHASE POOL PUMP WITH STRAINER										
340030	EQ-500	230	20.0	5	1.15	5.75	NSF ³ , ETL ⁵	6" X 4"	126	A
340032	EQ-750	230	30.4	7.5	1.15	8.63	NSF ³	6" X 4"	161	B
340238	EQ-1000	230	40.0	10	1.15	11.50	NSF ³	6" X 4"		C
NEMA PREMIUM EFFICIENCY THREE PHASE POOL PUMP WITH STRAINER										
340031	EQK-500	208-230/460	13.5-12.3/6.2	5	1.15	5.75	NSF ³	6" X 4"	106	D
340033	EQK-750	208-230/460	20.1-18.3/9.1	7.5	1.15	8.63	NSF ³	6" X 4"	116	E
340034	EQK-1000	208-230/460	27.0/26.2-13.1	10	1.15	11.50	NSF ³	6" X 4"	146	F
340035	EQK-1500	208-230/460	40.0-36.0/17.8	15	1.15	17.25	NSF ³	6" X 4"	161	G
340155	EQK-500	575	5.1	5	1.15	5.75	NSF ³	6" X 4"	106	D
340156	EQK-750	575	7.2	7.5	1.15	8.63	NSF ³	6" X 4"	116	E
340157	EQK-1000	575	10.2	10	1.15	11.50	NSF ³	6" X 4"	146	F
340159	EQK-1500	575	15.0	15	1.15	17.25	NSF ³	6" X 4"	161	G
NEMA PREMIUM EFFICIENCY SINGLE PHASE WATERFALL PUMP WITHOUT STRAINER - 1750 RPM										
340014	EQW-300	208-230	19.5/19.2	3	1.15	3.45	NSF ² , ETL ⁵	6" X 4"	97	H
340017	EQW-500	208-230	23.0-20.1	5	1.25	6.25	NSF ² , ETL ⁵	6" X 4"	97	I
NEMA PREMIUM EFFICIENCY THREE PHASE WATERFALL PUMP WITHOUT STRAINER- 1750 RPM										
340016	EQWK-300	208-230/460	8.4-7.8/3.9	3	1.15	3.45	NSF ²	6" X 4"	77	H
340018	EQWK-500	208-230/460	13.8-13.0/6.5	5	1.25	6.25	NSF ²	6" X 4"	77	I
NEMA PREMIUM EFFICIENCY SINGLE PHASE WATERFALL PUMP WITH STRAINER- 1750 RPM										
340026	EQW-300	208/230	19.5/19.2	3	1.15	3.45	NSF ³ , ETL ⁵	6" X 4"	126	H
340028	EQW-500	208-230	23.0/20.1	5	1.25	6.25	NSF ³ , ETL ⁵	6" X 4"	126	I

EQ Series® Commercial Plastic Pump (Cont'd)

With and Without Hair and Lint Strainer

Product	Description	Voltage	Amps	HP	SF	SFHP	Primary Listings and Certifications ⁶	Port Size (ANSI Flange)	Carton Wt (Lbs)	Curve Key
NEMA PREMIUM EFFICIENCY THREE PHASE WATERFALL PUMP WITH STRAINER										
340027	EQWK-300	208-230/460	8.4-7.8/3.9	3	1.15	3.45	NSF ³	6" X 4"	106	H
340029	EQWK-500	208-230/460	13.8-13.0/6.5	5	1.25	6.25	NSF ³	6" X 4"	106	I
HAIR AND LINT STRAINER WITH CAM AND RAMP LID, BASKET AND HARDWARE										
340013	EQ 6X6 Strainer						NSF ⁴	6" x 6"	33	J
EQ SERIES PUMP ACCESSORIES FLANGE ASSEMBLY KITS										
357262	Flange 4 in. w/gasket and SS hardware ¹								20	
357263	Flange 6 in. w/gasket and SS hardware ¹								23	
357212	Flange 6 in. w/ gasket and SS hardware. For use on EQ Pumps without Strainer								23	

¹ Thermoplastic PVC socket style.

² 'NSF' indicates that pump bears a NSF mark signifying evaluation to NSF Standard 50 For Non Self-Priming Centrifugal Pumps For Swimming Pools, Spas and Hot Tubs.

³ 'NSF' indicates that pump bears a NSF mark signifying evaluation to NSF Standard 50 For Self-Priming Centrifugal Pumps For Swimming Pools, Spas and Hot Tubs.

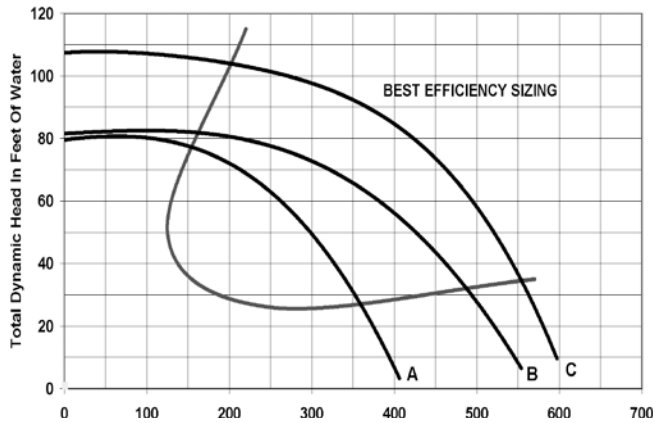
⁴ 'NSF' indicates that product bears a NSF mark signifying evaluation to NSF Standard 50 For Materials and Components.

⁵ 'ETL' indicates that pump bears a specific ETL mark signifying evaluation to U.S. Standards ULI1081 for Permanently Connected Swimming Pool and Spa Pumps and to Canadian Standards CAN/CSA C22.2 No. 108-01 Liquid Pumps For Swimming Pools And Spas. (Enclosure 3).

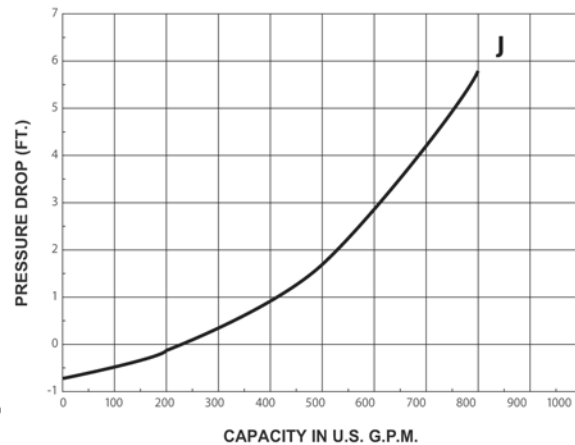
⁶ Product may have been evaluated to other state and local regulatory standards. Listing status may change. Always confirm status with appropriate agency if in doubt.

Dimensions and Performance

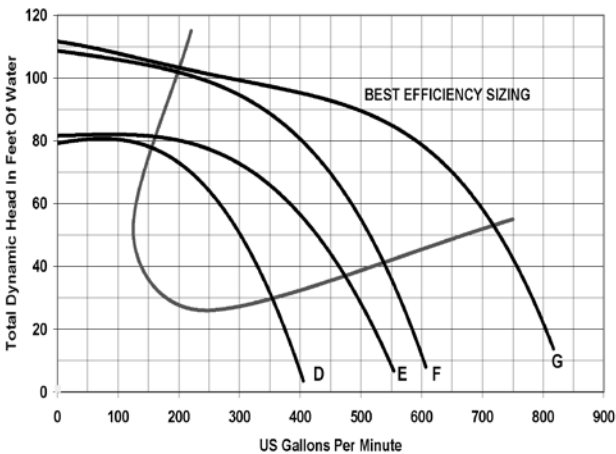
Single Phase Pumps - EQ Models



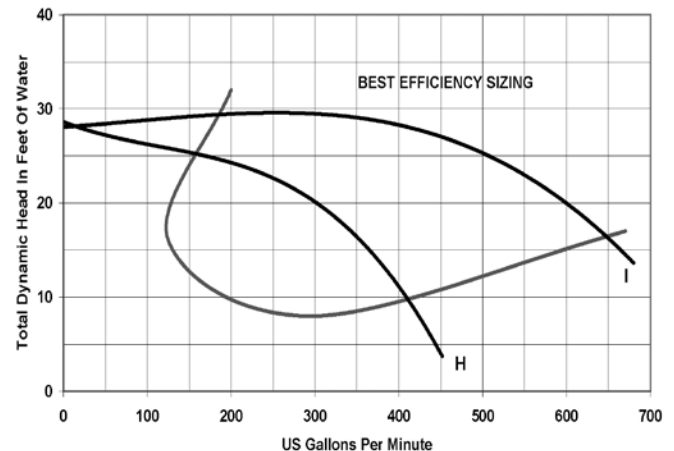
EQ Strainer Only



Three Phase Pumps - EQK Models



WaterFall Pumps - EQW & EQWK Models

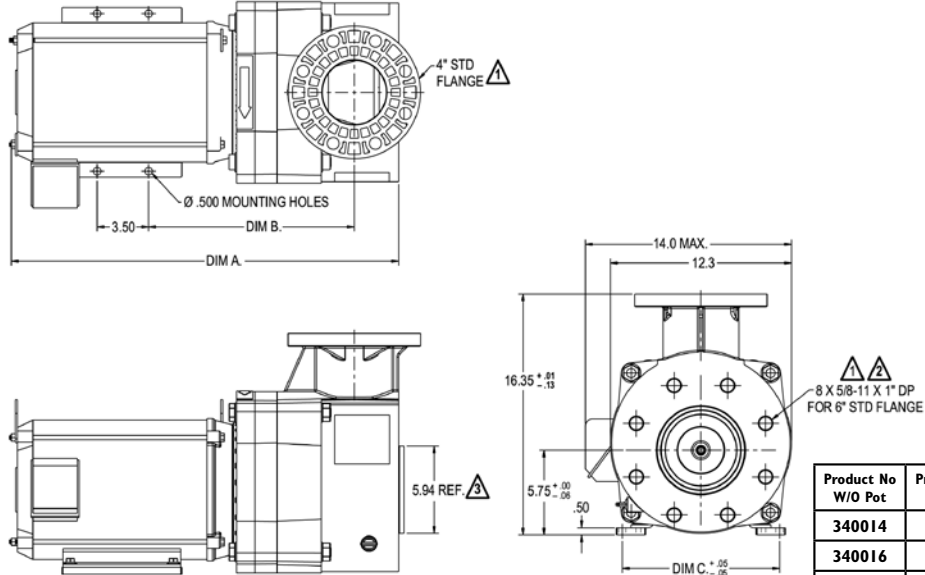


EQ Series® Commercial Plastic Pump (Cont'd)

With and Without Hair and Lint Strainer

Dimensions and Performance

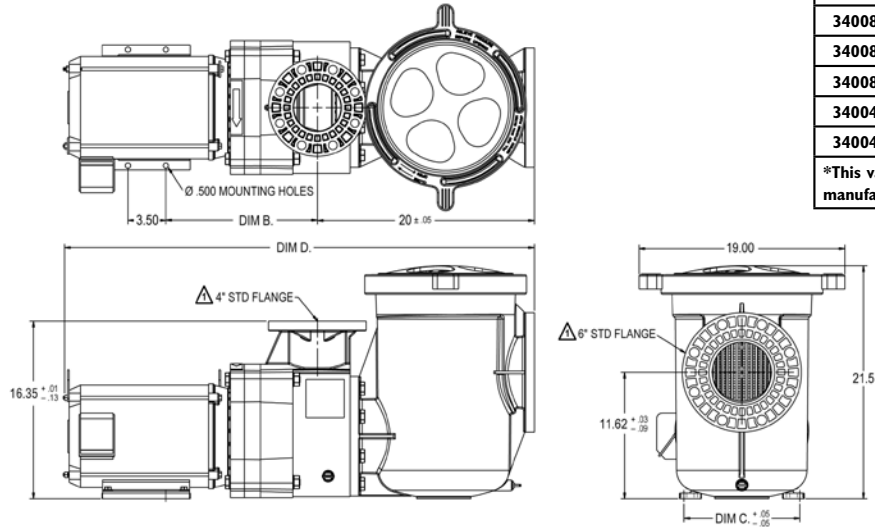
EQ Commercial Pump without Strainer



Product No W/O Pot	Product No. W/Pot	Dim A*	Dim B*	Dim C*	Dim D*
340014	340026	26.62	13.18	9.69	43.59
340016	340027	23.12	13.31	9.69	40.09
340019	340030	26.62	13.18	9.69	43.59
340020	340031	23.12	13.31	9.69	40.09
340021	340032	27.53	13.93	10.69	44.59
340022	340033	24.50	13.31	9.69	41.56
340023	340034	26.31	13.93	10.69	43.29
340024	340035	26.31	13.93	10.69	43.29
340086	340082	24.32	13.31	9.69	41.59
340085	340081	24.62	13.31	9.69	41.59
340084	340080	28.31	13.93	10.69	45.29
340083	340049	28.31	13.93	10.69	45.29
340048	340046	28.31	13.93	10.69	45.29
340047	340045	28.31	13.93	10.69	45.29

*This value may vary slightly depending upon manufacturer and motor design

EQ Commercial Pump with Strainer



- △ FASTENERS AND O-RING ARE INCLUDED WITH PENTAIR POOL PRODUCTS EQ 6X6 STRAINER TO CONNECT STRAINER DIRECTLY TO EQ SERIES PUMP IF PUMP IS TO BE INSTALLED WITHOUT STRAINER MAKE BOTH CONNECTIONS PER NOTE 1.
- △ USE ANSI CLASS 150 PLASTIC FLANGE AND 1/8" THICK CLASS 150 FULL FLANGE GASKET TO MAKE CONNECTION.
- △ THIS DIAMETER FITS INSIDE 6" SCH 40 PIPE. DO NOT USE SCH 80 PIPE AS FINAL PIPE SIZE WHEN MAKING THIS FLANGE CONNECTION.

See pages 486-487 for replacement parts.

C Series® Commercial Bronze Pumps

With Hair and Lint Strainer



Featured Highlights

- Large commercial pump with s/s basket
- Easy serviceability
- All-bronze construction for strength and durability
- 6 in. suction and 4 in. discharge for maximum capabilities
- Heavy-gauge stainless steel strainer basket with an open area 5 times the area of the suction port
- Closed impeller for longer motor bearing life
- Heat-resistant seal capable of operation at up to 150°
- Available in single and three-phase, 50 and 60-Hertz models



C Series® Commercial Bronze Pump

Bronze volute and pot, coated cast iron foot, flanged connections, 6 in. suction, 4 in. discharge.

Ordering Information

Product	Description	Voltage	Amps	HP	SF	SFHP	Primary Listings and Certifications ²	Port Size (ANSI Flange)	Carton Wt (Lbs)	Curve Key
NEMA STANDARD EFFICIENCY SINGLE PHASE 230V										
011651	CM-50	230	24.0	5	1.15	5.75	NSF ¹	6" X 4"	352	F
011656	CH-50	230	24.0	5	1.15	5.75	NSF ¹	6" X 4"	352	A
347917	CM-75	230	37.0	7-1/2	1.15	8.63	NSF ¹	6" X 4"	375	G
347916	CH-75	230	37.0	7-1/2	1.15	8.63	NSF ¹	6" X 4"	375	B
347964	CM-100	230	51.0	10	1.15	11.50	NSF ¹	6" X 4"	370	H
347963	CH-100	230	51.0	10	1.15	11.50	NSF ¹	6" X 4"	370	C
NEMA STANDARD EFFICIENCY SINGLE PHASE 200 -208V										
347938	CM-50	200-208	29.0	5	1.15	5.75	NSF ¹	6" X 4"	322	F
347939	CH-50	200-208	29.0	5	1.15	5.75	NSF ¹	6" X 4"	322	A
348001	CM-75	200-208	42.6	7-1/2	1.15	8.63	NSF ¹	6" X 4"	375	G
348005	CH-75	200-208	42.6	7-1/2	1.15	8.63	NSF ¹	6" X 4"	375	B
NEMA STANDARD EFFICIENCY THREE PHASE 200- 208V										
347940	CMK-50	200-208	16.1	5	1.15	5.75	NSF ¹	6" X 4"	346	F
347941	CHK-50	200-208	16.1	5	1.15	5.75	NSF ¹	6" X 4"	350	A
347942	CMK-75	200-208	22.3	7-1/2	1.15	8.63	NSF ¹	6" X 4"	346	G
347943	CHK-75	200-208	22.3	7-1/2	1.15	8.63	NSF ¹	6" X 4"	346	B
347944	CMK-100	200-208	28.7	10	1.15	11.50	NSF ¹	6" X 4"	370	H
347945	CHK-100	200-208	28.7	10	1.15	11.50	NSF ¹	6" X 4"	356	C
347946	CMK-150	200-208	43.5	15	1.15	17.25	NSF ¹	6" X 4"	369	I
347947	CHK-150	200-208	43.5	15	1.15	17.25	NSF ¹	6" X 4"	350	D
347948	CHK-200	200-208	54.0	20	1.15	23.00	NSF ¹	6" X 4"	406	E
NEMA STANDARD EFFICIENCY THREE PHASE 220/440V										
011652	CMK-50	220/440	13.0/6.5	5	1.15	5.75	NSF ¹	6" X 4"	336	F
011657	CHK-50	220/440	13.0/6.5	5	1.15	5.75	NSF ¹	6" X 4"	336	A
011653	CMK-75	220/440	18.4/9.2	7-1/2	1.15	8.63	NSF ¹	6" X 4"	346	G
011658	CHK-75	220/440	18.4/9.2	7-1/2	1.15	8.63	NSF ¹	6" X 4"	349	B
011654	CMK-100	220/440	25.3/12.6	10	1.15	11.50	NSF ¹	6" X 4"	374	H
011659	CHK-100	220/440	25.3/12.6	10	1.15	11.50	NSF ¹	6" X 4"	376	C
011655	CMK-150	220/440	37.5/18.8	15	1.15	17.25	NSF ¹	6" X 4"	396	I
011660	CHK-150	220/440	37.5/18.8	15	1.15	17.25	NSF ¹	6" X 4"	398	D
011661	CHK-200	220/440	49.0/24.6	20	1.15	23.00	NSF ¹	6" X 4"	403	E

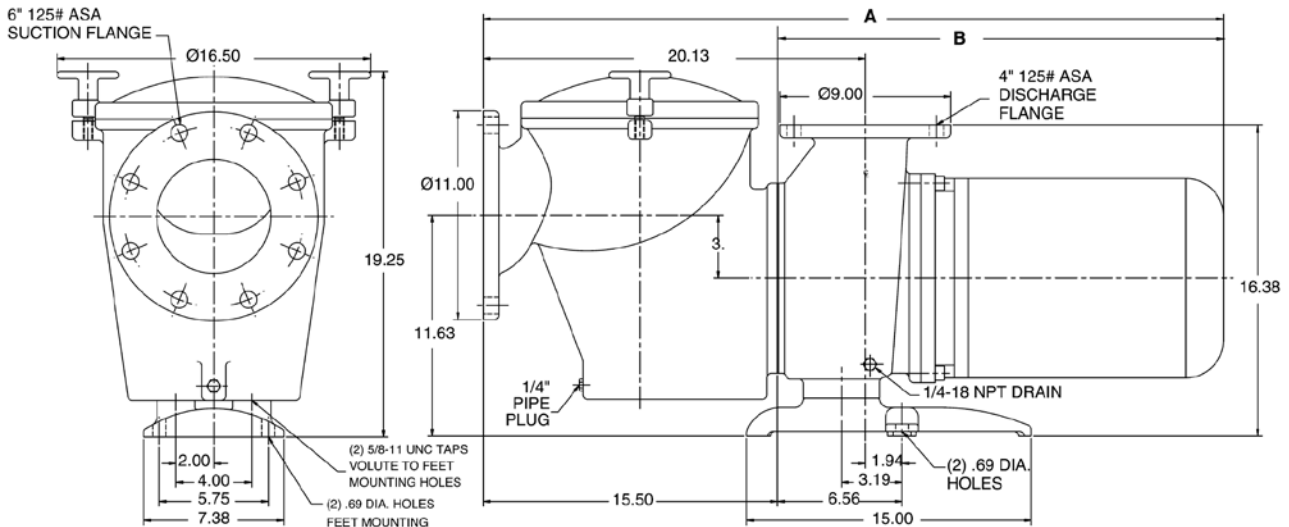
C Series[®] Commercial Bronze Pumps (Cont'd)

With Hair and Lint Strainer

Product	Description	Voltage	Amps	HP	SF	SFHP	Primary Listings and Certifications ²	Port Size (ANSI Flange)	Carton Wt (Lbs)	Curve Key
NEMA STANDARD EFFICIENCY THREE PHASE 575V										
347931	CMK-50	575	5.6	5	1.15	5.75	NSF ¹	6" X 4"	336	F
347967	CHK-50	575	5.6	5	1.15	5.75	NSF ¹	6" X 4"	336	A
347936	CMK-75	575	7.7	7-1/2	1.15	8.63	NSF ¹	6" X 4"	349	G
347937	CHK-75	575	7.7	7-1/2	1.15	8.63	NSF ¹	6" X 4"	349	B
347932	CMK-100	575	10.0	10	1.15	11.50	NSF ¹	6" X 4"	374	H
347968	CHK-100	575	10.0	10	1.15	11.50	NSF ¹	6" X 4"	374	C
347934	CMK-150	575	15.2	15	1.15	17.25	NSF ¹	6" X 4"	398	I
347933	CHK-150	575	15.2	15	1.15	17.25	NSF ¹	6" X 4"	398	D
347935	CHK-200	575	19.5	20	1.15	23.00	NSF ¹	6" X 4"	406	E
NEMA STANDARD EFFICIENCY THREE PHASE 380-415V- 50 HZ										
014900	CMKL-50	380-415	7.5-6.8	5	1.15	5.75		6" X 4"	336	
014880	CHKL-50	380-415	7.5-6.8	5	1.15	5.75		6" X 4"	336	
014901	CMKL-75	380-415	11.0-10.0	7-1/2	1.00	7-1/2		6" X 4"	346	
014881	CHKL-75	380-415	11.0-10.0	7-1/2	1.00	7-1/2		6" X 4"	346	
014902	CMKL-100	380-415	14.5-14.6	10	1.15	11.50		6" X 4"	376	
014882	CHKL-100	380-415	14.5-14.6	10	1.15	11.50		6" X 4"	374	
014903	CMKL-150	380-415	20.5-19.0	15	1.15	17.25		6" X 4"	398	
014883	CHKL-150	380-415	20.5-19.0	15	1.15	17.25		6" X 4"	396	
014884	CHKL-200	380-415	28.0-26.0	20	1.15	23.00		6" X 4"	403	

¹ 'NSF(1)' indicates that pump bears a NSF mark signifying evaluation to NSF Standard 50 For Non Self-Priming Centrifugal Pumps For Swimming Pools, Spas and Hot Tubs.

² Product may have been evaluated to other state and local regulatory standards. Listing status may change. Always confirm status with appropriate agency if in doubt.

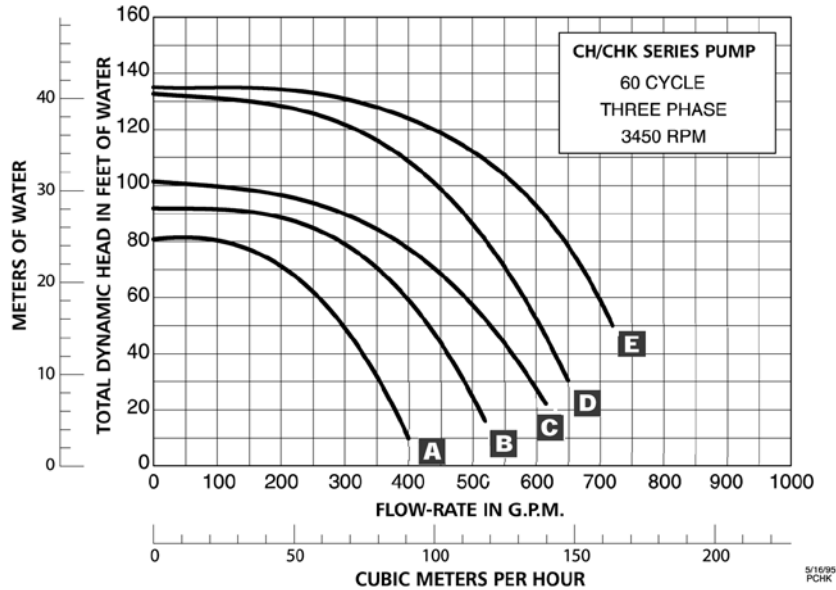


C Series[®] Commercial Bronze Pumps (Cont'd)

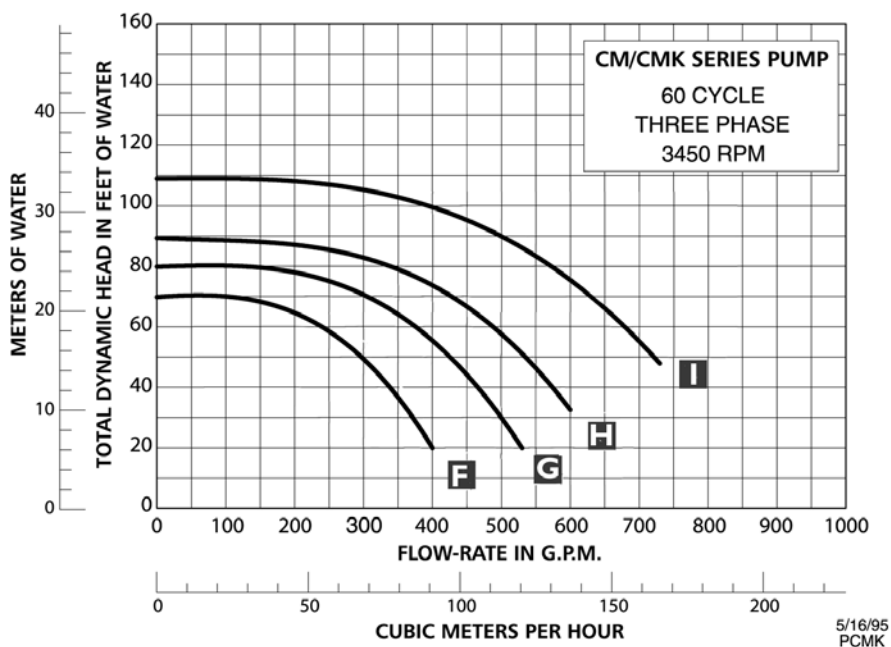
With Hair and Lint Strainer

Dimensions and Performance

**PUMP PERFORMANCE CURVE
CH/CHK SERIES PUMP**



**PUMP PERFORMANCE CURVE
CM/CMK SERIES PUMP**



See pages 488-489 for replacement parts.

C Series® Commercial Bronze Pumps

Without Hair and Lint Strainer



C Series® Commercial Pump
Without Hair and Lint Strainer

Bronze construction, coated cast iron foot, flanged connections. 5 in. suction, 4 in. discharge.

Ordering Information

Product	Description	Voltage	Amps	HP	SF	SFHP	Primary Listings and Certifications ³	Port Size (ANSI Flange)	Carton Wt (Lbs)	Curve Key
NEMA STANDARD EFFICIENCY SINGLE PHASE 230V										
011605	CH-50	230	24.0	5	1.15	5.75	NSF ²	5" X 4"	302	A
348007	CM-75	230	37.0	7.5	1.15	8.63	NSF ²	5" X 4"	315	G
348006	CH-75	230	37.0	7.5	1.15	8.63	NSF ²	5" X 4"	315	B
347966	CM-100	230	51.0	10	1.15	11.50	NSF ²	5" X 4"	326	H
347965	CH-100	230	51.0	10	1.15	11.50	NSF ²	5" X 4"	326	C
NEMA STANDARD EFFICIENCY SINGLE PHASE 200 -208V										
347949	CM-50	200-208	29.0	5	1.15	5.75	NSF ²	5" X 4"	302	F
347950	CH-50	200-208	29.0	5	1.15	5.75	NSF ²	5" X 4"	302	A
347961	CM-75	200-208	42.6	7-1/2	1.15	8.63	NSF ²	5" X 4"	315	G
347960	CH-75	200-208	42.6	7-1/2	1.15	8.63	NSF ²	5" X 4"	315	B
NEMA STANDARD EFFICIENCY THREE PHASE 200- 208V										
347951	CMK-50	200-208	16.1	5	1.15	5.75	NSF ²	5" X 4"	296	F
347952	CHK-50	200-208	16.1	5	1.15	5.75	NSF ²	5" X 4"	300	A
347953	CMK-75	200-208	22.3	7-1/2	1.15	8.63	NSF ²	5" X 4"	296	G
347954	CHK-75	200-208	22.3	7-1/2	1.15	8.63	NSF ²	5" X 4"	296	B
347955	CMK-100	200-208	28.7	10	1.15	11.50	NSF ²	5" X 4"	320	H
347956	CHK-100	200-208	28.7	10	1.15	11.50	NSF ²	5" X 4"	306	C
347957	CMK-150	200-208	43.5	15	1.15	17.25	NSF ²	5" X 4"	319	I
347958	CHK-150	200-208	43.5	15	1.15	17.25	NSF ²	5" X 4"	300	D
347959	CHK-200	200-208	54.0	20	1.15	23.00	NSF ²	5" X 4"	356	E

Featured Highlights

- High performance motors for maximum flow
- All-bronze construction for strength and durability
- 5 in. suction and 4 in. discharge for maximum capabilities
- Closed impeller for longer motor bearing life
- Heat-resistant seal capable of operation at up to 150°
- Available in single and three-phase, 50 and 60-hertz models

C Series® Commercial Bronze Pumps (Cont'd)

Ordering Information

Product	Description	Voltage	Amps	HP	SF	SFHP	Primary Listings and Certifications ³	Port Size (ANSI Flange)	Carton Wt (Lbs)	Curve Key
NEMA STANDARD EFFICIENCY THREE PHASE 220/440V										
011601	CMK-50	220/440	13.0/6.5	5	1.15	5.75	NSF ²	5" X 4"	286	F
011606	CHK-50	220/440	13.0/6.5	5	1.15	5.75	NSF ²	5" X 4"	286	A
011602	CMK-75	220/440	18.4/9.2	7-1/2	1.15	8.63	NSF ²	5" X 4"	296	G
011607	CHK-75	220/440	18.4/9.2	7-1/2	1.15	8.63	NSF ²	5" X 4"	296	B
011603	CMK-100	220/440	25.3/12.6	10	1.15	11.50	NSF ²	5" X 4"	326	H
011608	CHK-100	220/440	25.3/12.6	10	1.15	11.50	NSF ²	5" X 4"	324	C
011604	CMK-150	220/440	37.5/18.8	15	1.15	17.25	NSF ²	5" X 4"	348	I
011609	CHK-150	220/440	37.5/18.8	15	1.15	17.25	NSF ²	5" X 4"	346	D
011610	CHK-200	220/440	49.0/24.6	20	1.15	23.00	NSF ²	5" X 4"	353	E
C SERIES & AURORA PUMP ACCESSORIES FLANGE ASSEMBLY KITS										
357260	Flange 5 in. w/gasket and SS hardware ¹								22	
357262	Flange 4 in. w/gasket and SS hardware ¹								20	
357263	Flange 6 in. w/gasket and SS hardware ¹								23	

¹ Thermoplastic PVC socket style

² 'NSF(1)' indicates that pump bears a NSF mark signifying evaluation to NSF Standard 50 For Non Self-Priming Centrifugal Pumps For Swimming Pools, Spas and Hot Tubs.

³ Product may have been evaluated to other state and local regulatory standards. Listing status may change. Always confirm status with appropriate agency if in doubt.

Dimensions and Performance

See C Series with Hair and Lint Strainer for Dimension and Performance Information

See pages 488-489 for replacement parts.

CF Series™ Pool Pump

Bronze Pump



CF Series™ Bronze Pool Pump

For residential and commercial swimming pool and spa circulation. All bronze, self-priming, centrifugal-type pump with a 5" or 6" hair and lint strainer integral with pump. Available in 3/4 - 3 HP models. Non-clogging semi-open impeller coupled to the motor by means of an adjustable stub shaft.

Ordering Information

Product	Voltage	Amps	HP	SF	SFHP	Primary Listings and Certifications ³	Port Size (NPT)	Carton Wt (Lbs)	Curve Key
STANDARD EFFICIENCY SINGLE SPEED FULL RATED WITH 6" STRAINER									
CF6EF-81L	230	10.4	1 1/2	1.47	2.20	UL ²	2" X 1-1/2"	75	D
CF6EG-82L	230	11.2	2	1.30	2.60	UL ²	2" X 1-1/2"	70	E
CF6H-123	230	17.2	3	1.15	3.45		2" X 1-1/2"	72	F
STANDARD EFFICIENCY SINGLE SPEED UP RATED WITH 5" STRAINER									
CFAD-75DL	115/230	12.4/6.2	3/4	1.27	.95	UL ²	2" X 1-1/2"	46	A
CFAE-79DL	115/230	15.4/7.7	1	1.25	1.25	UL ²	2" X 1-1/2"	54	B
CFAF-80DL	115/230	18.2/9.1	1-1/2	1.10	1.65	UL ²	2" X 1-1/2"	55	C
CFAEG-81DL	230	10.4	2	1.10	2.20	UL ¹	2" X 1-1/2"	63	D
CFAAEG-82DL	230	11.2	2 1/2	1.04	2.60	UL ¹	2" X 1-1/2"	67	E
ENERGY EFFICIENT SINGLE SPEED FULL RATED- 3 PHASE									
CF6H3-123	230/460	9.0/4.5	3	1.15	3.45		2" X 1-1/2"	58	F

¹ 'UL(1)' indicates that pump bears a specific UL mark signifying evaluation to U.S. Standards UL1081 for Permanently Connected Swimming Pool and Spa Pumps and to Canadian Standards CAN/CSA C22.2 No. 108-01 Liquid Pumps For Swimming Pools And Spas. (Enclosure 3).

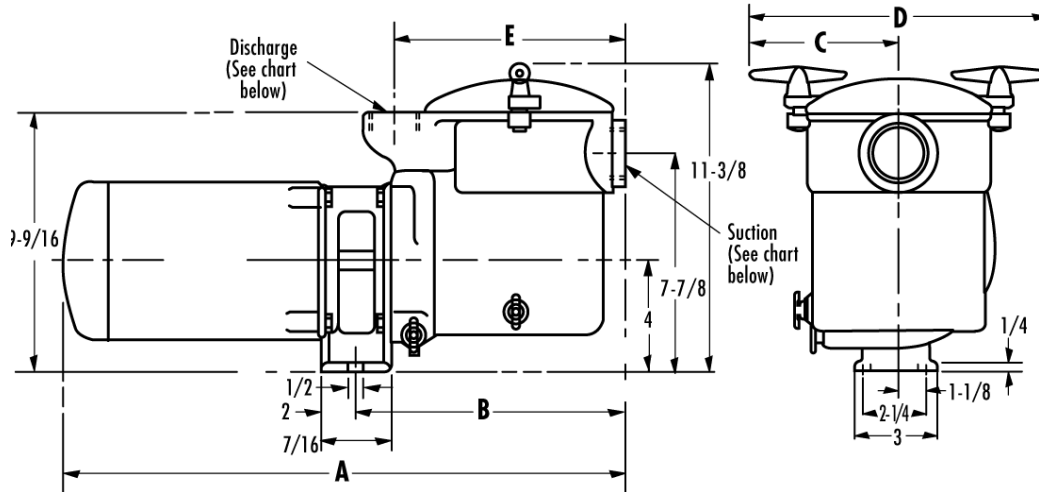
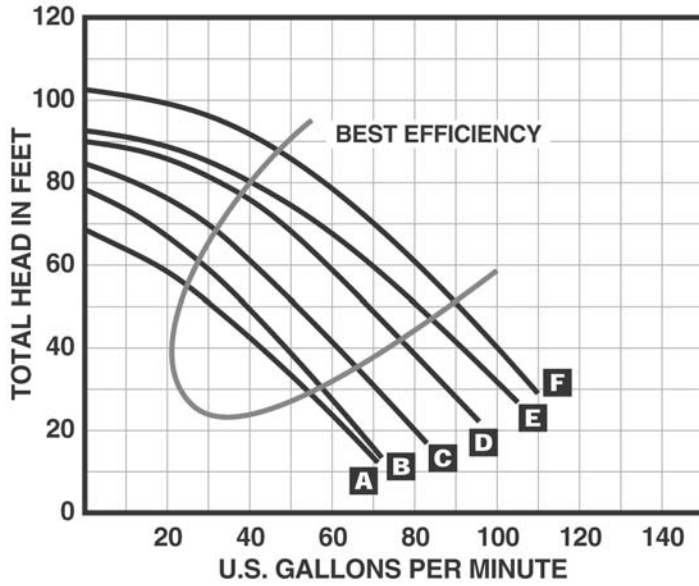
² 'UL(2)' indicates that pump bears a UL mark signifying evaluation to U.S. Standards UL1081 for Permanently Connected Swimming Pool And Spa Pumps.

³ Product may have been evaluated to other state and local regulatory standards. Listing status may change. Always confirm status with appropriate agency if in doubt.

CF Series™ Pool Pump (Cont'd)

Bronze Pump

Dimensions and Performance



Catalog Number	A	B	C	D	E
CF6EF-81L	22-7/8	8-5/8	4-7/8	10-3/4	8-9/16
CF6EG-82L	23-13/16	8-15/16	5-3/8	10-3/4	8-9/16
CF6H-123	23-1/2	8-15/16	5-3/8	10-3/4	8-9/16
CF6H3-123	21-15/16	8-15/16	5-3/8	10-3/4	9-9/16
CFAD-75DL	21-7/16	8-5/8	4-7/8	9-3/4	7-5/16
CFAE-79DL	21-13/16	8-5/8	4-7/8	9-3/4	7-5/16
CFAF-80DL	22-15/16	8-5/8	4-7/8	9-3/4	7-5/16
CFAEG-81DL	22-9/16	8-5/8	4-7/8	9-3/4	7-5/16
CFAAEG-82DL	23-1/2	8-5/8	4-7/8	9-3/4	7-5/16

See pages 490-491 for replacement parts

C/CC Series™ Commercial Pool Pump

Bronze or Cast Iron



For semi-commercial and commercial swimming pool and spa recirculation. Available in high head and medium head models, providing a complete range of performance characteristics. Available in 3 - 5 HP models with 2-1/2" NPT suction and 2" NPT discharge ports. (Non self-primer, requires flooded suction installation.) Motors are open drip-proof, continuous duty rated 3450 RPM.

C/CC Series™ Commercial Pool Pump

Ordering Information

Product	Voltage	Amps ³	HP	Primary Listings and Certifications ²	Port Size (NPT)	Carton Wt (Lbs)	Curve Key
SINGLE PHASE CAST BRONZE							
CMH-136	115/208-230	28.0/14.7-14.0	3	NSF ¹	2-1/2" X 2"	111	B
CHH-137	115/208-230	28.0/14.7-14.0	3	NSF ¹	2-1/2" X 2"	116	A
CHJ-138	230	21.5	5	NSF ¹	2-1/2" X 2"	131	C
SINGLE PHASE CAST IRON							
CCMH-136S	115/208-230	28.0/14.7-14.0	3	NSF ¹	2-1/2" X 2"	106	B
CCHH-137S	115/208-230	28.0/14.7-14.0	3	NSF ¹	2-1/2" X 2"	106	A
CCHJ-138	230	21.5	5	NSF ¹	2-1/2" X 2"	126	C
THREE PHASE CAST BRONZE							
CMH3-136	230/460	16.6/8.0	3	NSF ¹	2-1/2" X 2"	91	B
CHH3-137	230/460	16.6/8.0	3	NSF ¹	2-1/2" X 2"	91	A
CHJ3-138	230/460	27.6/12.0	5	NSF ¹	2-1/2" X 2"	115	C
THREE PHASE CAST IRON							
CCMH3-136S	230/460	16.6/8.0	3	NSF ¹	2-1/2" X 2"	86	B
CCHH3-137S	230/460	16.6/8.0	3	NSF ¹	2-1/2" X 2"	86	A
CCHJ3-138S	230/460	27.6/12.0	5		2-1/2" X 2"	110	C

¹ 'NSF(I)' indicates that pump bears a NSF mark signifying evaluation to NSF Standard 50 For Self-Priming Centrifugal Pumps For Swimming Pools, Spas and Hot Tubs when installed with a NSF certified Hair and Lint Strainer. .

² Product may have been evaluated to other state and local regulatory standards. Listing status may change. Always confirm status with appropriate agency if in doubt.

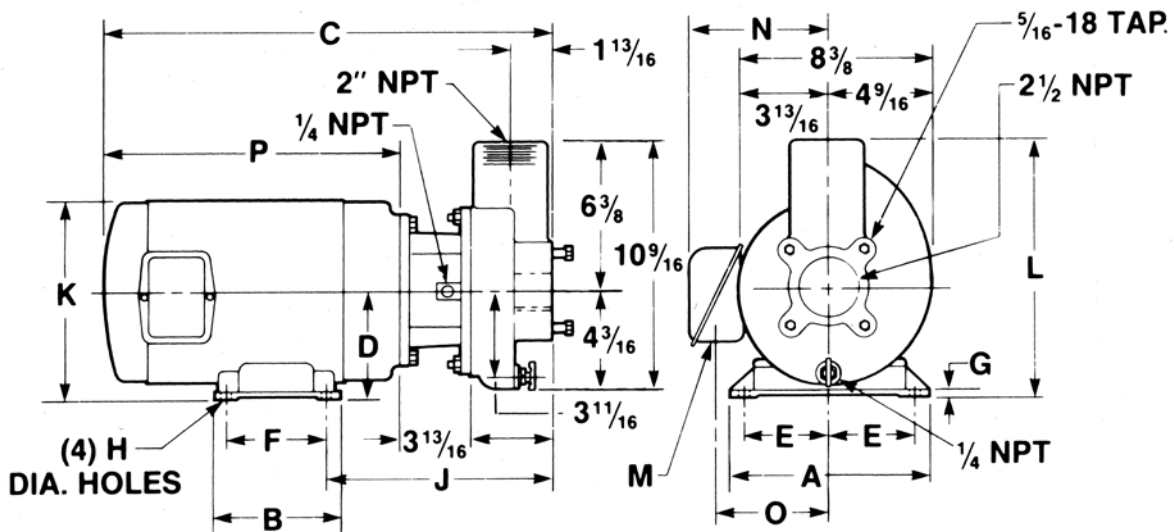
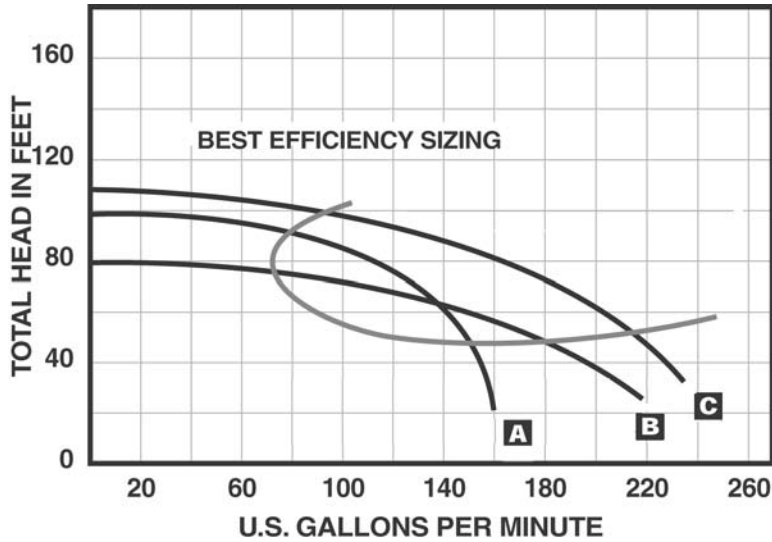
³ Dimensions and Max Load Amps may vary per motor manufacturer.

See page 212 for Hair and Lint Strainer Packages.

C/CC Series™ Commercial Pool Pump (Cont'd)

Bronze or Iron Cast

Dimensions and Performance



Catalog Number	A	B	C*	D	E	F	G*	H*	J	K	L	M*	N*	O*	P*
CHH3-137															
CMH3-136	7	6	18-13/32	3-1/2	2-3/4	5	9/32	11/32	9-9/32	7-7/32	9-7/8	3/4	6-29/32	5-13/32	11
CHH-137															
CMH-136	9	6-1/2	21-1/2	4-1/2	3-3/4	4-1/2	7/16	7/16	10-5/16	9-23/32	10-7/8	3/4	8-1/8	6-1/2	14-1/8
CHJ3-138															
CHJ-138	9	7-1/2	22-1/2	4-1/2	3-3/4	5-1/2	7/16	7/16	10-5/16	9-23/32	10-7/8	3/4	9	6-15/16	15-1/8

All dimensions shown in inches.

See pages 492-493 for replacement parts

CSP/CCSP Series™ Commercial Pump

Commercial Self-Priming Pump



CSP/CCSP Series™ Commercial Self-Priming Pump

Especially designed for commercial and public swimming pools and spas, aquatic facilities, water parks and fountain applications where high performance and self-priming are required. Pump has enclosed bronze impeller and standard 6" x 4" A.N.S.I. flange connections (D.I.N. option available for 50 Hz models). The pump strainer (order separately) has capacity of 1,100 cubic inches. Both pump and strainer can be ordered with optional epoxy coated castings to provide additional performance and corrosion resistance.

Ordering Information

Product	Voltage	Amps ¹	HP	SF	SFHP	Primary Listings and Certifications ⁴	Port Size (ANSI Flange)	Carton Wt (Lbs)	Curve Key
NEMA STANDARD EFFICIENCY SINGLE PHASE CAST IRON									
CSPHK-142	230	39	7.5	1.15	8.63	NSF ²	6" X 4"	270	A
CSPHL-143	230	46	10	1.15	11.50	NSF ²	6" X 4"	275	B
NEMA STANDARD EFFICIENCY SINGLE PHASE EPOXY COATED CAST IRON									
CCSPHK-142	230	39	7.5	1.15	8.63	NSF ²	6" X 4"	270	E
CCSPHL-143	230	46	10	1.15	11.50	NSF ²	6" X 4"	275	F
NEMA STANDARD EFFICIENCY THREE PHASE CAST IRON									
CSPHK3-142	208-230/460	21.2-19.2/9.6	7-1/2	1.25	9.38	NSF ²	6" X 4"	265	A
CSPHL3-143	208-230/460	27.6-24.4/12.2	10	1.25	12.50	NSF ²	6" X 4"	270	B
CSPHM3-144	208-230/460	44.2-40/20	15	1.25	18.75	NSF ²	6" X 4"	280	C
CSPHN3-145	208-230/460	55.3-50/25	20	1.25	25.00	NSF ²	6" X 4"	325	D
NEMA STANDARD EFFICIENCY THREE PHASE CAST IRON- 200V									
CSPH2K3-142	200	22.1	7-1/2	1.15	8.63	NSF ²	6" X 4"	265	A
CSPH2L3-143	200	28.1	10	1.25	12.50	NSF ²	6" X 4"	270	B
CSPH2M3-144	200	42.3	15	1.25	18.75	NSF ²	6" X 4"	280	C
CSPH2N3-145	200	57.3	20	1.25	25.00	NSF ²	6" X 4"	350	D
NEMA STANDARD EFFICIENCY THREE PHASE EPOXY COATED CAST IRON									
CCSPHK3-142	208-230/460	21.2-19.2/9.6	7-1/2	1.25	9.38	NSF ²	6" X 4"	265	E
CCSPHL3-143	208-230/460	27.6-24.4/12.2	10	1.25	12.50	NSF ²	6" X 4"	270	F
CCSPHM3-144	208-230/460	44.2-40/20	15	1.25	18.75	NSF ²	6" X 4"	280	G
CCSPHN3-145	208-230/460	55.3-50/25	20	1.25	25.00	NSF ²	6" X 4"	325	H
NEMA STANDARD EFFICIENCY THREE PHASE EPOXY COATED CAST IRON- 200 V									
CCSPH2K3-142	200	22.1	7-1/2	1.15	8.63	NSF ²	6" X 4"	265	E
CCSPH2L3-143	200	28.1	10	1.25	12.50	NSF ²	6" X 4"	270	F
CCSPH2M3-144	200	42.3	15	1.25	18.75	NSF ²	6" X 4"	280	G
CCSPH2N3-145	200	57.3	20	1.25	25.00	NSF ²	6" X 4"	350	H
ACCESSORIES FOR CSP/ CC SP SERIES									
PKG 184	Strainer for CSP/CCSP 6" ANSI flange (1,100 cu. In. capacity)					NSF ³	6" X 6"	180	I
PKG 184C	Same as PKG 184 Except Strainer is Epoxy Coated					NSF ³	6" X 6"	180	I
357262	Flange 4 in. w/gasket and SS hardware ⁵							20	
357263	Flange 6 in. w/gasket and SS hardware ⁵							23	

¹ Amp draw may vary depending on motor manufacturer.

²NSF(1) indicates that pump bears a NSF mark signifying evaluation to NSF Standard 50 For Self-Priming Centrifugal Pumps For Swimming Pools And Spas.

³NSF(2) indicates that product bears a NSF mark signifying evaluation to NSF Standard 50 For Materials and Components.

⁴Product may have been evaluated to other state and local regulatory standards. Listing status may change. Always confirm status with appropriate agency if in doubt.

⁵Thermoplastic PVC socket style.

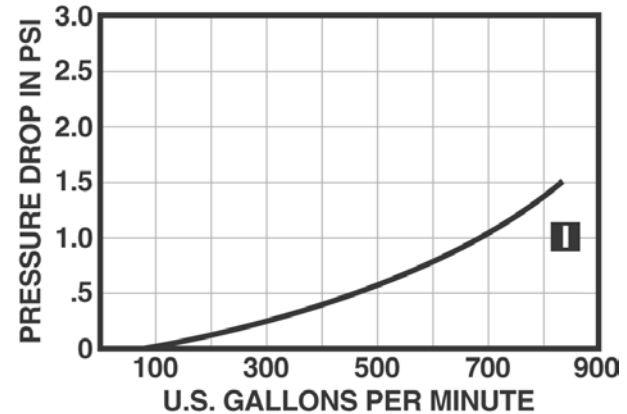
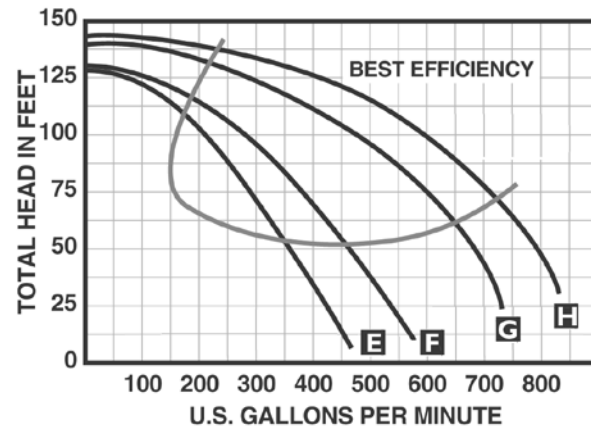
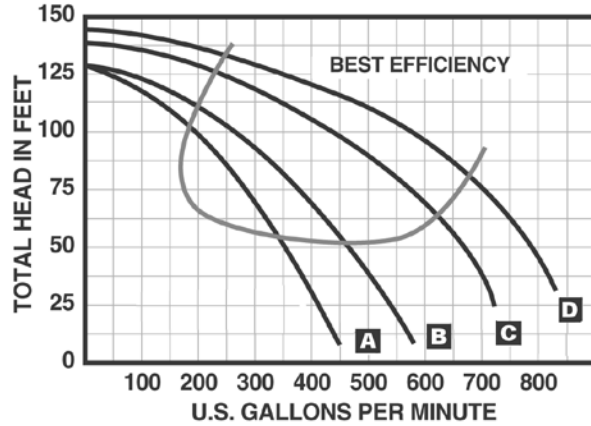
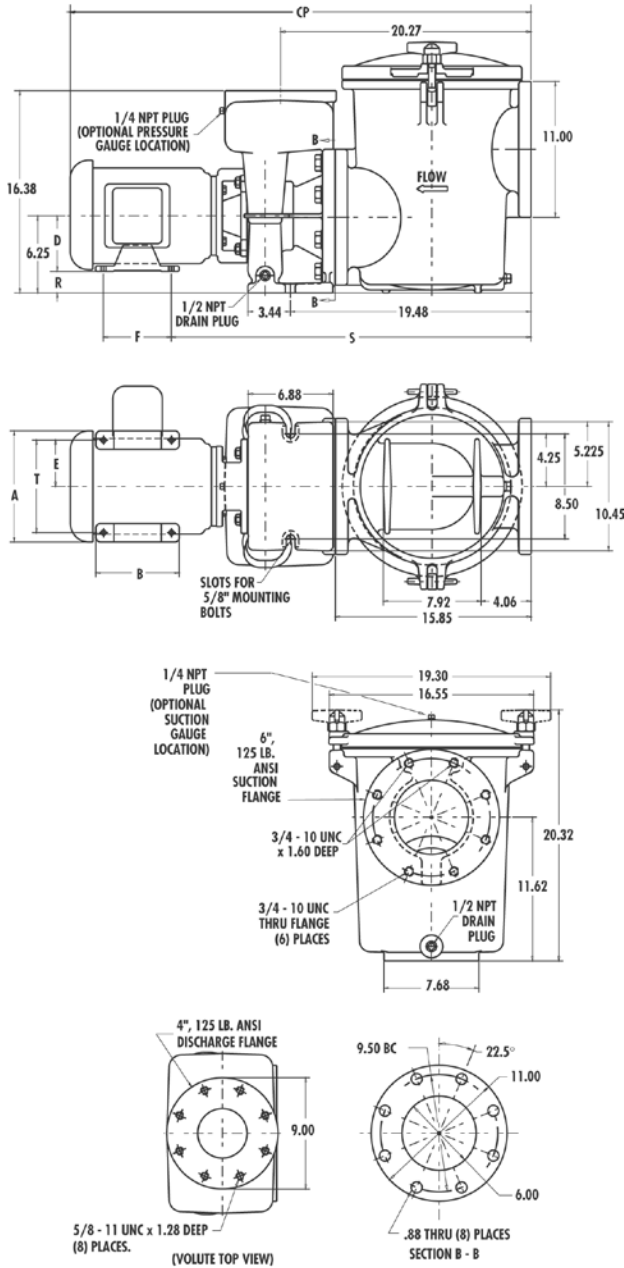
CSP/CCSP Series™ Commercial Pump (Cont'd)

Commercial Self-Priming Pump

OPTIONS: CCSP Models feature special epoxy coated castings for maximum performance and corrosion resistance.
60 Hz T.E.F.C., 60 Hz premium efficiency, or 575 volt motors available.

NOTE: Maximum ambient temperature for motor is 104°F (40°C). All pump motors require external overload protection (magnetic starter). Pump strainer must be ordered separately. Full load amps on motor model plate.

Dimensions and Performance



Catalog Number	A	B	CP	D	E	F	R	S	T
CSPHK, CCSPHK	10.62	7.00	39.44	5.25	4.25	5.50	1.00	30.00	8.50
CSPHK3, CCSPHK3, CSPH2K3	9.00	6.75	40.31	4.50	3.75	5.50	1.75	29.13	7.50
CSPHL, CCSPHL	10.35	8.26	42.69	5.25	4.25	7.00	1.00	30.00	8.50
CSPHL3, CCSPHL3	10.62	7.00	41.00	5.25	4.25	5.50	1.00	30.00	8.50
CSPHM3, CCSPHM3	10.62	8.50	42.50	5.25	4.25	7.00	1.00	30.00	8.50
CSPH2L3, CSPH2M3	10.62	8.50	42.50	5.25	4.25	7.00	1.00	30.00	8.50
CSPHN3, CCSPHN3	12.50	10.80	46.75	6.25	5.00	8.20	0.00	31.62	10.00
CSPH2N3, CCSPH2N3	13.38	12.44	48.50	6.25	5.00	10.00	0.00	31.65	10.00

All dimensions shown in inches.

See page 494 for replacement parts

5CSP/5CCSP Series™ Commercial Pump

Commercial Self-Priming Pump



5CSP/5CCSP Series™ Commercial Self-Priming Pump

Especially designed for commercial and public swimming pools and spas, aquatic facilities, water parks and fountain applications where high performance and self-priming are required. Pump has enclosed bronze impeller and standard 6" x 4" A.N.S.I. flange connections. The pump strainer (order separately) has capacity of 1,100 cubic inches. Both pump and strainer can be ordered with optional epoxy coated castings to provide additional performance and corrosion resistance. NOTE: 50 hertz pumps cannot be used in North America.

Ordering Information

Product	Voltage	Amps ¹	HP	SF	SFHP	Primary Listings and Certifications ³	Port Size (ANSI Flange)	Carton Wt (Lbs)	Curve Key
SINGLE PHASE CAST IRON WITHOUT STRAINER- 50 HZ									
5CSPHJ-142	220-240	35.5-32.5	5	1.00	5		6" x 4"	270	A
5CSPHK-143	220-240	43.0-39.4	7-1/2	1.00	7-1/2		6" x 4"	280	B
THREE PHASE CAST IRON WITHOUT STRAINER- 50 HZ									
5CSPHJ3-142	220-240/380-415	13.0/6.9	5	1.00	5		6" x 4"	260	A
5CSPHK3-143	220-240/380-415	20.7-21.5/12.0/12.4	7-1/2	1.00	7-1/2		6" x 4"	270	B
5CSPHL3-144	220-240/380-415	27.0-27.5/15.6-15.9	10	1.00	10		6" x 4"	280	C
5CSPHM3-145	220-240/380-415	38.9-20.6	15	1.00	15		6" x 4"	300	D
THREE PHASE EPOXY COATED CAST IRON WITHOUT STRAINER- 50 HZ									
5CCSPHJ3-142	220-240/380-415	13.0/6.9	5	1.00	5		6" x 4"	260	A
5CCSPHK3-143	220-240/380-415	20.7-11.0	7-1/2	1.00	7-1/2		6" x 4"	270	B
5CCSPHL3-144	220-240/380-415	26.9-14.3	10	1.00	10		6" x 4"	280	C
5CCSPHM3-145	220-240/380-415	38.9-20.6	15	1.00	15		6" x 4"	300	D
ACCESSORIES FOR 5CSP/ 5CCSP SERIES									
PKG 184	Strainer for CSP/CCSP 6" ANSI flange (1,100 cu. In. capacity)					NSF ⁴	6" X 6"	180	I
PKG 184C	Same as PKG 184 Except Strainer is Epoxy Coated					NSF ⁴	6" X 6"	180	I
357262	Flange 4 in. w/gasket and SS hardware ²							20	
357263	Flange 6 in. w/gasket and SS hardware ²							23	

¹ Amp draw may vary depending on motor manufacturer. Full load amps on motor model plate.

² Thermoplastic PVC socket style.

³ Product may have been evaluated to other state and local regulatory standards. Listing status may change. Always confirm status with appropriate agency if in doubt

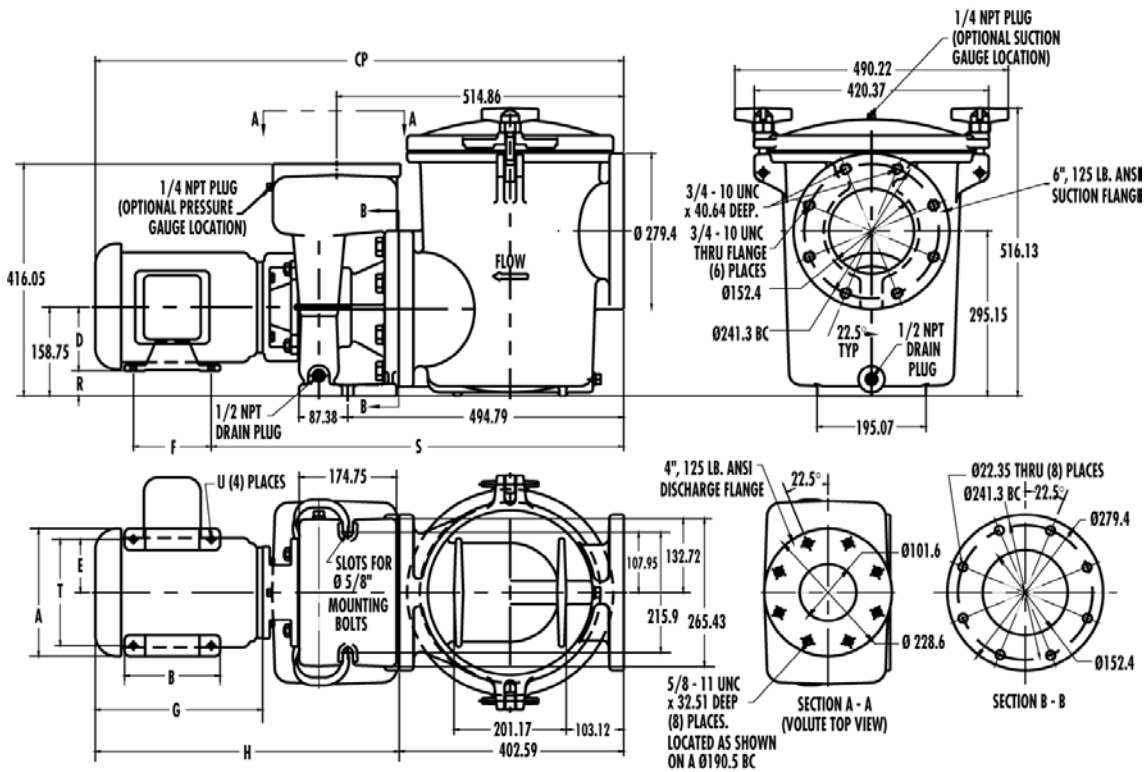
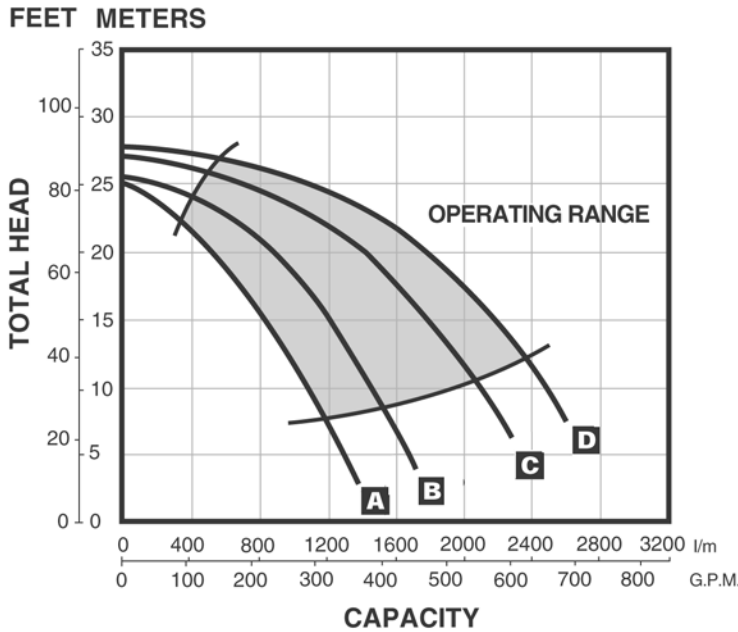
⁴ 'NSF(2)' indicates that product bears a NSF mark signifying evaluation to NSF Standard 50 For Materials and Components.

NOTE For Strainer Packages, See page 212.

5CSP/5CCSP Series™ Commercial Pump (Cont'd)

Commercial Self-Priming Pump

Dimensions and Performance



Catalog Number	A	B	CP	D	E	F	R	S	T
5CSPHJ	269.75	177.8	1039.62	133.25	107.95	139.7	25.4	733.3	215.9
5CSPHK	269.75	215.9	1075.69	133.25	107.95	177.8	25.4	733.3	215.9
5CSPHJ3	228.6	171.45	988.82	133.25	95.25	139.7	44.45	734.06	190.5
5CSPHK3	269.75	177.8	1039.62	133.25	107.95	139.7	25.4	733.3	215.9
5CSPHL3	269.75	215.9	1075.69	133.25	107.95	177.8	25.4	733.3	215.9
5CSPHM3	317.5	274.32	1185.67	158.75	127.0	209.55	-	793.75	254.0

All dimensions shown in millimeters.

D-Series™ Commercial Pool Pump

Cast Iron Self-Priming Centrifugal Commercial Pool Pump



D Series™ Cast Iron Self-Priming Centrifugal Commercial Pool Pump

Especially designed for commercial and public swimming pools and spas, aquatic facilities, water parks and fountain applications where high performance and self-priming characteristics are desired. These self-priming, high performance pumps are available in high head and medium head models, providing a complete range of performance characteristics. Motors are open drip-proof, continuous duty rated 3450 RPM.

Ordering Information

Product	Voltage	Amps ¹	HP	Primary Listings and Certifications ³	Port Size (NTP)	Carton Wt (Lbs)	Curve Key
STANDARD EFFICIENCY SINGLE PHASE							
DHH-169	230	17	3	NSF ²	1-1/2"	135	A
DMH-171	230	17	3	NSF ²	2"	135	C
DHJ-170	230	28	5	NSF ²	2"	178	B
DMJ-172	230	28	5	NSF ²	2-1/2"	178	D
STANDARD EFFICIENCY THREE PHASE							
DHH3-169	230/460	10.6-9.6/4.8	3	NSF ²	1-1/2"	135	A
DMH3-171	230/460	10.6-9.6/4.8	3	NSF ²	2"	135	C
DHJ3-170	230/460	16.8-15.2/7.6	5	NSF ²	2"	178	B
DMJ3-172	230/460	16.8-15.2/7.6	5	NSF ²	2-1/2"	178	D

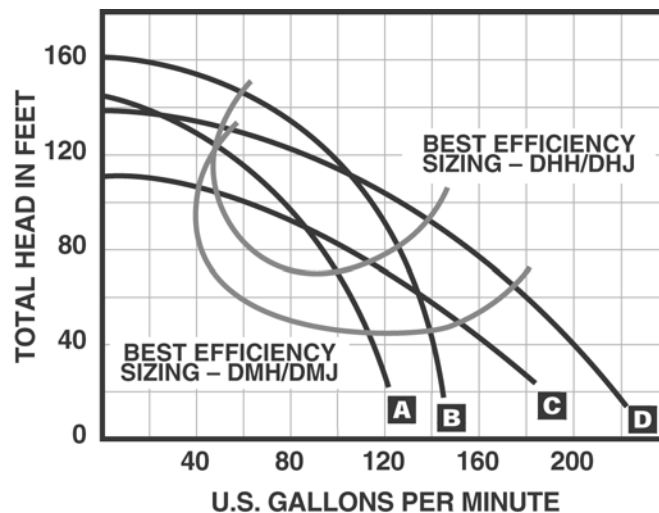
¹ Dimensions and Max Load Amps may vary per motor manufacturer.

² 'NSF(1)' indicates that pump bears a NSF mark signifying evaluation to NSF Standard 50 For Self-Priming Centrifugal Pumps For Swimming Pools, Spas and Hot Tubs when installed with a NSF certified Hair and Lint Strainer.

³ Product may have been evaluated to other state and local regulatory standards. Listing status may change. Always confirm status with appropriate agency if in doubt.

See page 212 for Hair and Lint Strainer Packages.

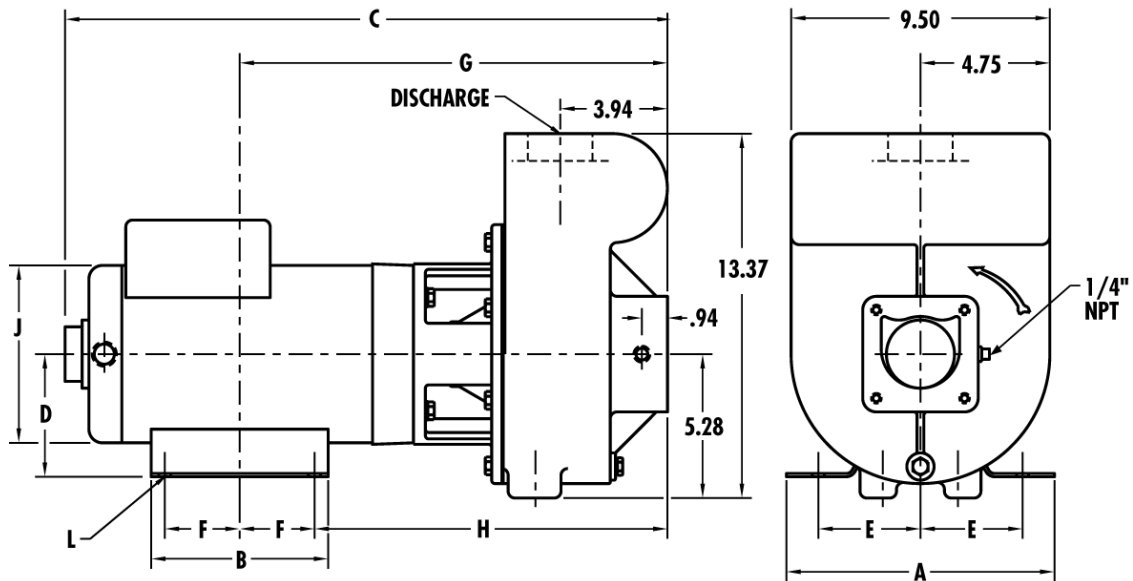
Dimensions and Performance



D-Series™ Commercial Pool Pump (Cont'd)

Cast Iron Self-Priming Centrifugal Commercial Pool Pump

Dimensions and Performance



NOTE: "L" mounting dimension: .44 Slot = 3/8" Bolt .34 Diameter = 5/16"

Catalog Number	HP	Discharge (NPT)	A	B	C*	D	E	F	G	H	J	L
DHH-169	3	1-1/2	8.75	6.50	21.37	4.50	3.75	2.25	15.21	12.96	6.51	.44 SLOT
DHH3-169	3	1-1/2	6.50	6.50	19.87	3.50	2.75	2.50	14.45	12.20	6.51	.34 DIA.
DHJ-172	5	2	8.75	6.50	22.12	4.50	3.75	2.75	15.71	12.96	6.51	.44 SLOT
DHJ3-172	5	2	8.75	6.50	21.62	4.50	3.75	2.25	15.21	12.96	6.50	.44 SLOT
DMH-171	3	2	8.75	6.50	21.37	4.50	3.75	2.25	15.21	12.96	6.51	.44 SLOT
DMH3-171	3	2	6.50	6.50	19.87	3.50	2.75	2.50	14.45	12.20	6.51	.34 DIA.
DMJ-172	5	2-1/2	8.75	6.50	22.12	4.50	3.75	2.75	15.71	12.96	6.51	.44 SLOT
DMJ3-172	5	2-1/2	8.75	6.50	21.62	4.50	3.75	2.25	15.21	12.96	6.50	.44 SLOT

See page 495 for replacement parts

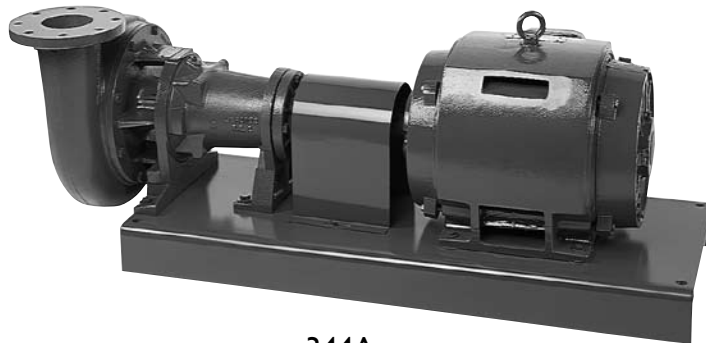
Aurora® 340 Series and 410 Series Pumps



341A



342A



344A

Featured Highlights

- Multiple configurations available
- Models to 100' TDH
- Compatible with Acu Drive™ XS
- Cast Iron Bronze Fitted Models
- Flooded Suction applications
- Highly reliable performance
- NSF approved models available
- Various flow capabilities for all applications
- Epoxy Coating option available
- ODP and TEFC motors in Standard and Premium efficiency available

Pentair now offers the new Aurora 340 Series End Suction and the 410 Series Split Case Pumps for commercial pools, spas, and other water applications. The 340 and 410 Series are available in horizontal and vertical configurations in horsepower's to 150 and flows to 8,000 GPM.

Ordering Information

Product	Description	Carton Wt (Lbs)
Please contact our factory (1-800-831-7133) for applications sizing, pricing, and availability.		
AURORA PUMP ACCESSORIES FLANGE ASSEMBLY KITS		
357259	Flange 2.5 in. w/gasket and SS hardware ¹	16
357260	Flange 5 in. w/gasket and SS hardware ¹	22
357261	Flange 3 in. w/gasket and SS hardware ¹	18
357262	Flange 4 in. w/gasket and SS hardware ¹	20
357263	Flange 6 in. w/gasket and SS hardware ¹	23

¹Thermoplastic PVC socket style.

Berkeley® B-Series Commercial Pumps

Centrifugal Commercial Pumps



Where a large volume of water is needed, in flooded suction applications, Berkeley brand pumps can accommodate almost any water-moving needs. Berkeley brand pumps have been one of the top names in the water systems for decades. Once recognized for only being affiliated with irrigation and water systems, Berkeley pumps are now available in many configurations to be used in the following applications:



- Water features
- Water parks
- Aquaculture
- Commercial pools and spas

The pumps pictured above and included in the chart below show just a small sampling of the many pump sizes and designs that are available. In addition, we offer a wide range of gpm/head configurations; 1200, 1750, or 3450 rpm motors; 50 or 60 Hz; optional high-efficiency motors; voltage, horsepower, and service factor options; lead-free bronze impellers; flange or threaded connection in many sizes; and packing or mechanical shaft seal design pumps. Flooded suction required. For a complete selection guide to help you size the pump(s) that best fit your needs, call our customer service at 1-800-831-7133, or use the convenient Berkeley Electronic Catalog (BEC) located at www.berkeleypumps.com.

Ordering Information

Call For Quote

Product	General Pump Design Model	HP	Best Operating Performance G.P.M.	Connection at X' of Head	RPM	Flange (inches)
BERKELEY B-SERIES PUMPS						
B71943S	B3ZPMS	5 HP	350	40	1800	3 x 4
B71945S	B3ZPMS	7.5 HP	400	53	1800	3 x 4
B71947S	B3ZPMS	10 HP	500	60	1800	3 x 4
B71949S	B3ZPMS	15 HP	600	63	1800	3 x 4
B76775	B5EPHS	20 HP	950	60	1800	5 x 6
B76776	B5EPHS	25 HP	1050	65	1800	5 x 6
B75861	B4GPBHS	30 HP	1100	85	1800	4 x 6
B74945	B6JPBMS	40 HP	1500	80	1800	6 x 8
B76786	B8GPBMS	50 HP	2700	50	1800	8 x 10

Options: The above pumps have silicon bronze impellers, flanged connections, close-coupled, open drip-proof motors, and mechanical shaft seals. As mentioned in the text at the top of the page, many options are available. Please call our Customer Service at 800-831-7133 or try using the convenient "BEC" system at www.berkeleypumps.com.

Dyna-Wave® Water Feature Pump

Self-Priming Low-Head Water Feature Pump



Dyna-Wave Water Feature Pump

The Dyna-Wave Water Feature pump is a self-priming low-head pump ideal for water feature applications such as small fountains, waterfalls, and garden/koi ponds. Extremely quiet and energy efficient, this versatile pump is designed to work in those installations calling for little resistance and high flows.

Featured Highlights

- Typical Installation – Fountains, ponds, waterfalls
- Energy Efficient – Provides up to 30 gallons a minute per amp (at 230V)
- Quality Construction – Durable wet-end constructed of Sta-Rite's industry leading glass-reinforced composite resin
- Multiple Plumbing Options – 2" Ports include internal NPT threads and external threads for quick-connect unions. Unions available in 1-1/2" and 2" slip and NPT. Unions not included
- Low Maintenance – Extra large trap basket holds more debris, which means less cleaning. The clear polycarbonate lid let's you see when it's time to empty the basket impeller lock-ups
- Quiet – The hydraulically balanced design, combined with a low speed motor make the Dyna-Wave Water Feature pump the quietest pump of it's kind in the market
- Self-Priming – Will prime up to 5' above water level

Ordering Information

Product	Voltage	Full Load Amps	HP	SF	SFHP	Primary Listings and Certifications ³	Port Size (NTP)	Carton Wt (Lbs)
ENERGY EFFICIENT SINGLE SPEED								
MPRA6B-202L	115/230	4.8/2.4	1/3	1.0	1/3	UL ¹ , NSF ²	2" X 2"	35
ACCESSORIES								
77703-0100	2" Union Half X 1-1/2" FPT- Package Of Two							1
77703-0101	2" Union Half X 1-1/2" Slip- Package Of Two							1
PKG 188	2" Union Half X 2" Slip- Package Of Two							1
PKG 189	2" Union Half X 2" FPT- Package Of Two							1
C3-185P3	Acrylic Trap Lid (Biguanide resistant)							1
U79-11	Trap Lid Wrench							1
17350-0008	Rubber Pump Base Pad							1

¹ 'UL(1)' indicates that pump bears a specific UL mark signifying evaluation to U.S. Standards UL1081 for Permanently Connected Swimming Pool and Spa Pumps and to Canadian Standards CAN/CSA C22.2 No. 108-01 Liquid Pumps For Swimming Pools And Spas. (Enclosure 3).

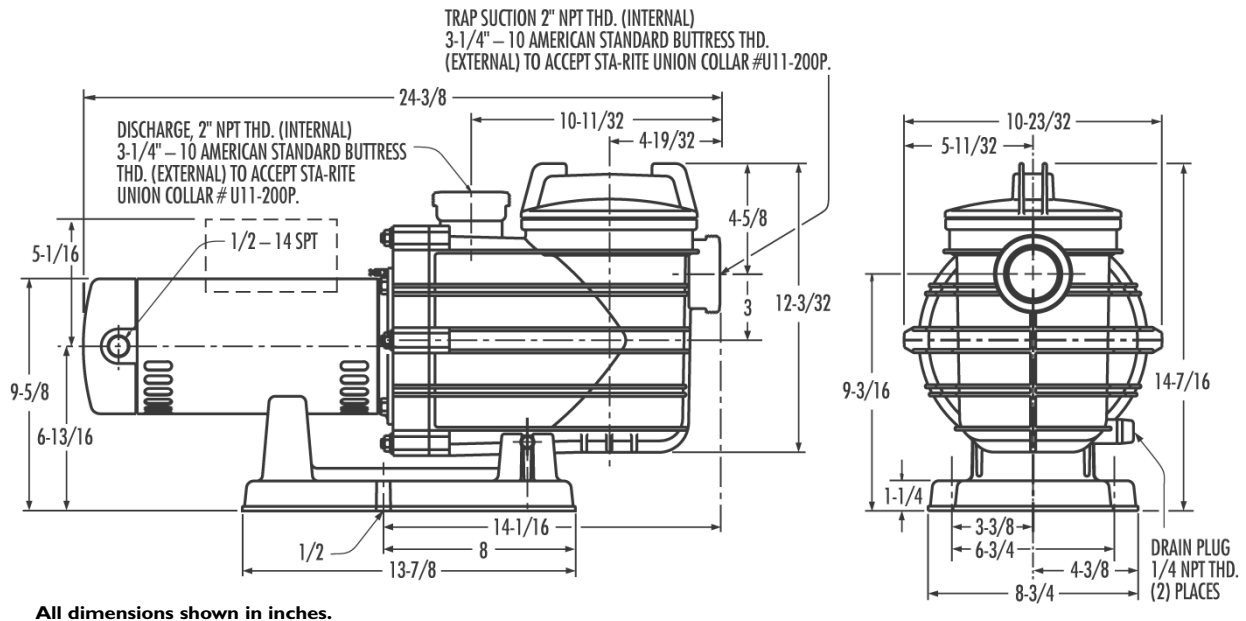
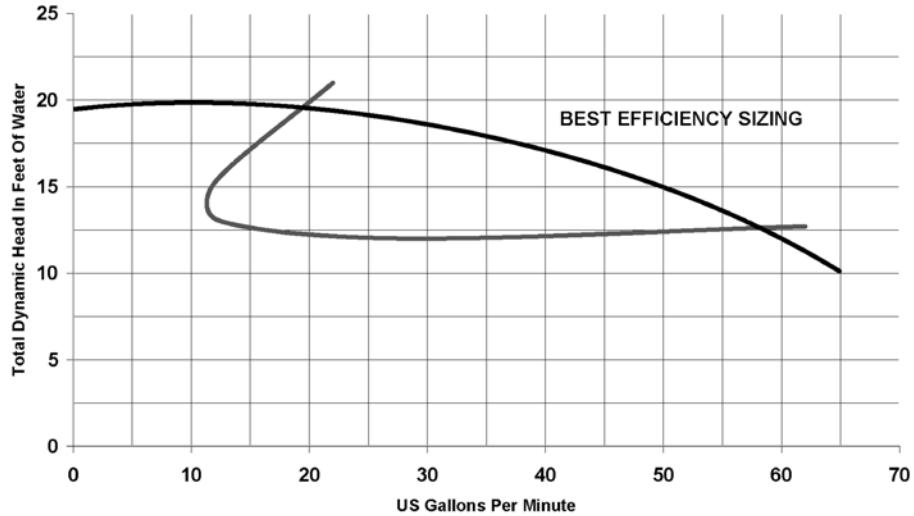
² 'NSF' indicates that pump bears a NSF mark signifying evaluation to NSF Standard 50 For Self-Priming Centrifugal Pumps For Swimming Pools, Spas and Hot Tubs.

³ Product may have been evaluated to other state and local regulatory standards. Listing status may change. Always confirm status with appropriate agency if in doubt.

Dyna-Wave® Water Feature Pump (Cont'd)

Self-Priming Low-Head Water Feature Pump

Dimensions and Performance



Dyna-Jet™ Spa/Water Features Pump

TPE and TPR Series



Dyna-Jet Spa/Water Features Pump

For residential/commercial use, indoor or outdoor installation. A spa and water features pump in the Sta-Rite tradition of Dura-Glas® pumps. Precision-molded of a proprietary blend of glass-reinforced thermoplastic that is highly corrosion resistant. Ideal pump where warm water service, high flow, and quiet operation are required.

Ordering Information

Product	Voltage	Full Load Amps	HP	SF	SFHP	Primary Listings and Certifications ²	Port Size (NTP)	Carton Wt (Lbs)	Curve Key
ENERGY EFFICIENT SINGLE SPEED									
TPEAE-165L	115/230	12.6/6.3	1	1.25	1.25	UL ¹	2" X 2"	35	H
TPEAF-166L	115/230	16.0/8.0	1-1/2	1.10	1.65	UL ¹	2" X 2"	37	F
TPEAG-167L	230	10.4	2	1.10	2.20	UL ¹	2" X 2"	41	C
TPEAAG-168L	230	11.2	2-1/2	1.04	2.60	UL ¹	2" X 2"	43	A
STANDARD EFFICIENCY SINGLE SPEED									
TPRAF-174L	115/230	19.2/9.6	1-1/2	1.10	1.65	UL ¹	2" X 2"	33	G
TPRAG-175L	230	12	2	1.10	2.20	UL ¹	2" X 2"	37	E
ENERGY EFFICIENT TWO SPEED 3450 RPM, LOW SPEED 1725 RPM UP RATED									
TPEAYG-175L	230	10.0/3.0	2 / 1/4	1.10	2.20	UL ¹	2" X 2"	43	D, J
TPEAAYG-168L	230	11.3/3.3	2-1/2 / 1/3	1.04	2.60	UL ¹	2" X 2"	45	B, I
ACCESSORIES									
77703-0105	Union Package- 2" X 1-1/2"- Includes two 2" collars, O-Rings, one each 1-1/2" and 2" slip adapters								I
77703-0108	Union Package- 2" X 2"- Includes two 2" collars, O-Rings, two 2" slip adapters								I
38405-4094	2" PVC Union Collar								4 oz.
38405-4095	2" PVC Slip Union Adapter								2 oz
38405-4096	1-1/2" PVC Slip Union Adapter								2 oz
35505-1244	O-Ring								
17350-0008	Rubber Pump Base Pad								I

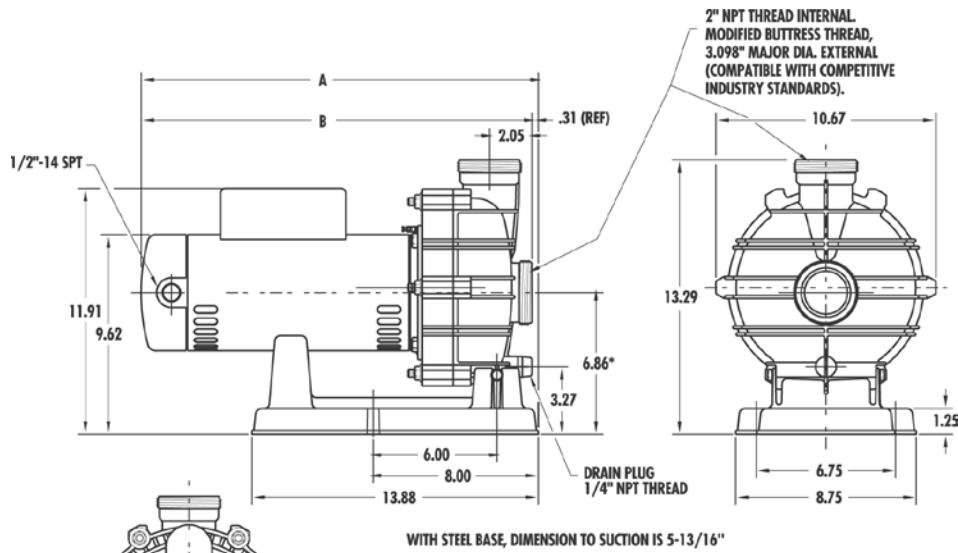
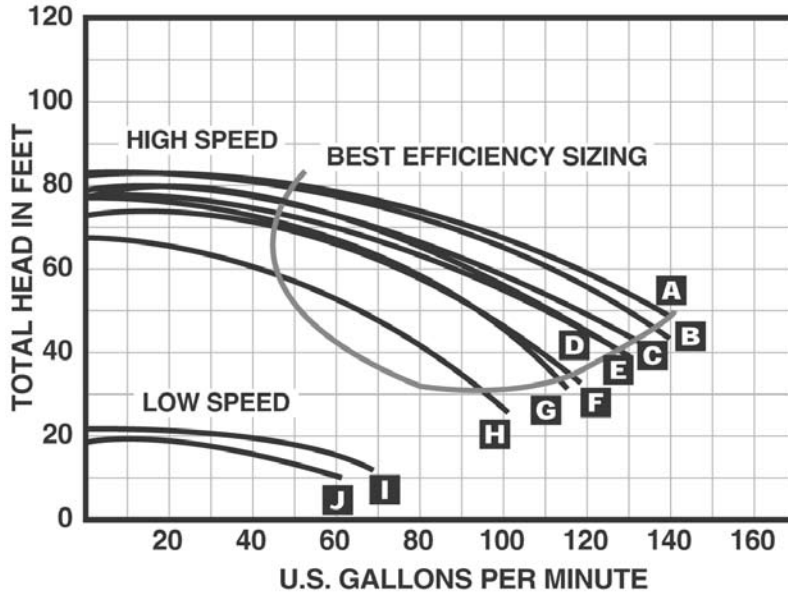
¹ 'UL(1)' indicates that pump bears a specific UL mark signifying evaluation to U.S. Standards ULI081 for Permanently Connected Swimming Pool and Spa Pumps and to Canadian Standards CAN/CSA C22.2 No. 108-01 Liquid Pumps For Swimming Pools And Spas. (Enclosure 3).

² Product may have been evaluated to other state and local regulatory standards. Listing status may change. Always confirm status with appropriate agency if in doubt.

Dyna-Jet™ Spa/Water Features Pump (Cont'd)

TPE and TPR Series

Dimensions and Performance



Catalog Number	DIMENSION	
	"A"	"B"
TPEAE-165L	18.00	17.70
TPEAF-166L	18.63	17.32
TPEAG-167L	18.63	17.32
TPEAAG-168L	19.25	18.95

All dimensions shown in inches.

See page 500 for replacement parts.

Booster Pump

Pressure-Side Cleaner Pump



Booster Pump

Featured Highlights

- Use with Legend® Platinum, Legend Platinum Truck Series, and Legend Automatic Pool Cleaners
- Hose and adapters included
- Ideal replacement for pressure-side Booster pumps

Combines ultimate performance with maximum efficiency for pressure-side pool cleaner ease. The 3/4 hp booster pump is made from durable, corrosion-proof materials, and provides 50 psi at 12 GPM.

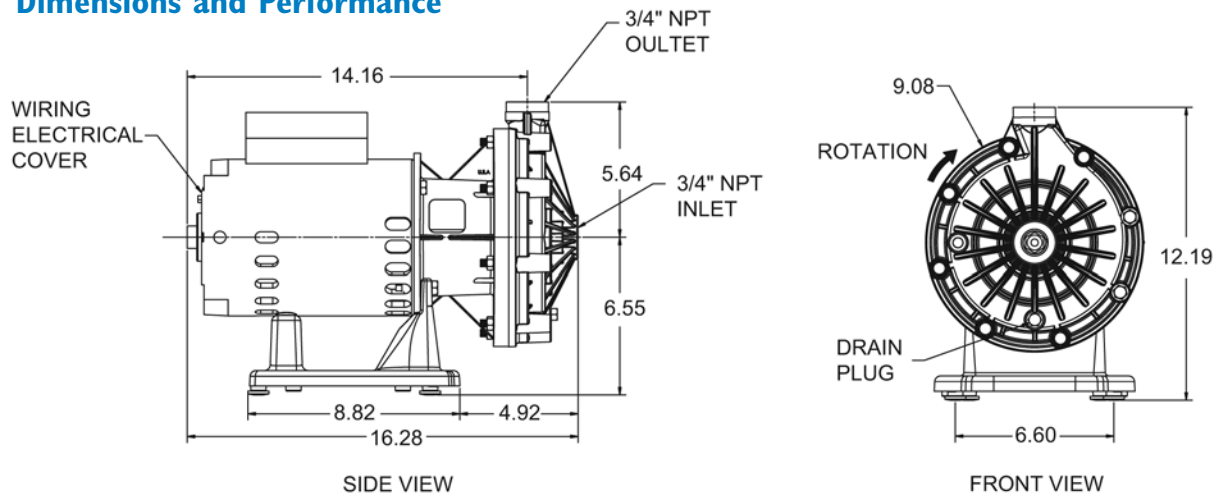
Ordering Information

Product	Voltage	Full Load Amps	HP	SF	SFHP	Primary Listings and Certifications ²	Port Size (NTP)	Carton Wt (Lbs)
ENERGY EFFICIENT SINGLE SPEED								
LA01N	115/230	13.0/6.5	3/4	1.50	1.13	UL ¹	3/4" X 3/4"	32
ACCESSORIES								
353020	Booster Pump Hose Kit							4

¹ 'UL(2)' indicates that pump bears a UL mark signifying evaluation to U.S. Standards UL1081 for Permanently Connected Swimming Pool Pumps Only

² Product may have been evaluated to other state and local regulatory standards. Listing status may change. Always confirm status with appropriate agency if in doubt.

Dimensions and Performance



See page 496 for replacement parts.

Submersible Pump

Submersible Pool Service Pump

A fully submersible, portable, high capacity pump designed for use by the professional in draining pools and spas as well as for general purpose applications. Its heavy cast iron body withstands regular handling while a brass base prevents staining of pool floor surfaces. The 1/2 HP motor is oil-filled and sealed with silicone carbide shaft seal for longer service life and cooler running.



Submersible Pool Service Pump

Ordering Information

Product	Description	Voltage	Full Load Amps	HP	Primary Listings and Certifications	Carton Wt (Lbs)
CAST IRON SUBMERSIBLE WITH BRASS BASE						
PCD-10B	Submersible Drainer Pump	115	13.7	1/2		15

Dimensions and Performance

Discharge Head in Feet	5	10	15	20	22
Gallons Per Hour (GPH)	3,600	3,120	2,520	1,680	1,200
Gallons Per Minute (GPM)	60	52	42	28	20

NOTE: Not for continuous duty use in waterfalls, fountains, etc., or for pumping acid solutions in conjunction with pool service work. Warranty will be voided under these conditions. Noryl® is a registered trademark of General Electric Co.

See page 504 for replacement parts.

Submersible Drainer Pump

Continuous Duty Submersible Pump

The Pool Drainer Pump is specifically designed to drain pool covers with heavy debris. It features a unique water level switch that won't bind or catch in your pool cover, providing a winter season with no worries. In addition, the innovative design of the base will keep your pool cover out of your pump.



Submersible Drainer Pump

Ordering Information

Product	Description	Voltage	Full Load Amps	HP	Primary Listings and Certifications	Carton Wt (Lbs)
CAST IRON SUBMERSIBLE WITH BRASS BASE						
FP0S1790PS	Submersible Drainer Pump	115	9	1/4	UL, CSA	10.5

¹ 'UL' indicates that pump bears a UL mark signifying evaluation to U.S. Standards UL778 for submersible motor-operated pumps intended to be used in ordinary locations in accordance with the National Electrical Code, NFPA 70.

² 'CSA' indicates that pump bears a CSA mark signifying evaluation to Canadian Standards CAN/CSA C22.2 No. 108-01 For Cord Connected Submersible Sump Pumps.

³ Product may have been evaluated to other state and local regulatory standards. Listing status may change. Always confirm status with appropriate agency if in doubt.

Dimensions and Performance

Discharge Head in Feet	5	10	15	20	22
Gallons Per Hour (GPH)	3,600	3,120	2,520	1,680	1,200

Trident™ Submersible Pump

Submersible Pool Service Pump



Trident Submersible Pool Service Pump

Heavy duty, non-corrosive, fully submersible pump ideal for draining swimming pools. Includes 20' power cord for GFCI hookup. 5-1/2" diameter allows pump to fit in most main drains. Discharge pipe size comes in 1-1/4" or 1-1/2".

Featured Highlights

- Typical Installation – Replaces any existing submersible sump pump
- Continuous Duty – Automatic submersible sump or portable utility pump
- Superior Pumping Performance – Up to 7,000 GPH
- Pump Construction – Corrosion-resistant engineered resin
- Operation – Automatic or manual
- Heavy-duty Motor – Energy efficient, 7.5 amps

Ordering Information

Product	Description	Voltage	Full Load Amps	HP	Primary Listings and Certifications ³	Carton Wt (Lbs)
CONTINUOUS DUTY SUBMERSIBLE (REPLACES P1512-01)						
D175120T	Trident Drainer Pump with Float Switch	115	7.5	3/4	UL ¹ , CSA ²	15

¹ 'UL' indicates that pump bears a UL mark signifying evaluation to U.S. Standards UL778 for submersible motor-operated pumps intended to be used in ordinary locations in accordance with the National Electrical Code, NFPA 70.

² 'CSA' indicates that pump bears a CSA mark signifying evaluation to Canadian Standards CAN/CSA C22.2 No. 108-01 For Cord Connected Submersible Sump Pumps.

³ Product may have been evaluated to other state and local regulatory standards. Listing status may change. Always confirm status with appropriate agency if in doubt.

Dimensions and Performance

Discharge Head in Feet	5	10	15	20	25
Gallons Per Hour (GPH)	6,000	5,040	3,840	2,340	0

Parts-Paks™ and Accessories

Point-of-Sale, Stock Room, Service Vehicle



Pump Model by HP			
Product	CH, LT, LI	LHA, LTA, LIA	PCD
SEAL/GASKET KITS – Include shaft seal, gaskets, and O-rings			
PP1080	1/6		
PP1081	1/3	1/2	
PP1082	1/2	3/4	
PP1682			1/2

Pump Model by HP			
Product	P4E, P4R	P4EA, P4RA	MPRA, MPEA
SEAL/GASKET KITS – Include shaft seal, gaskets, and O-rings			
PP4010	3/4	1	
PP4011	1	1-1/2	
PP4012	1-1/2	2	
PP4013	2	2-1/2	
PP4014	3		
PP3010			3/4
PP3011			1
PP3012			1-1/2
PP3013			2



OVERHAUL KITS – Attractive, clamshell packaging contains recommended parts for seal/gasket servicing or complete overhaul of most swimming pool/spa pumps. Eliminate the need for large parts inventories, protect parts from damage, and reduce paperwork. Include impeller, diffuser, shaft seal, gaskets, O-rings, appropriate hardware, shims, wear rings, and inserts.

Ordering Information

Pump Model by HP				
Product	PE, P2R	PEA, P2RA	PR	PRA
SEAL/GASKET KITS – Include shaft seal, gaskets, and O-rings				
PP1010	1/3	1/3, 1/2		1/2
PP1011	1/2	3/4	1/2	3/4
PP1012			3/4	1
PP1013			1	1-1/2
PP1014	3/4	1		
PP1015			1-1/2	2
PP1016	1	1-1/2		
PP1017	2	2-1/2	2	2-1/2
PP1018	1-1/2	2		
PP1019	3			

Product	Description	Carton Wt (Lbs)
SEAL/GASKET KITS – Include shaft seal, gaskets, and O-rings		
PP1075	LH, LHA, LT, LTA, LI, LIA - All HP	
PP3000	MPRA, MPEA - All HP	
PP1000	PE, PEA, PR, PRA, P2R, P2RA (models with copper insert pre-1998) - All HP	
PP4000	P4E, P4EA, P4R, P4RA (models with copper insert pre-1998) - All HP	
PP1200	PE, PEA, P2R, P2RA (models without copper insert beginning 1998) - All HP	
PP4200	P4E, P4EA, P4R, P4RA (models without copper insert beginning 1998) - All HP	
TRAP LID KITS – Include trap lid and trap lid o-ring		
PP2075	PE, PEA, PR, PRA, P2R, P2RA (with 5" trap – standard) - ALL HP	
PP4075	P4E, P4EA, P4R, P4RA, MPR, MPE (with 6" trap – standard) - ALL HP	
PUMP CONNECTOR UNION HALF (WILL NOT FIT DJ OR TP SERIES PUMPS)		
PKG 188	2" Union x 2" Slip, 2 per Pkg.	1
PKG 189	2" Union x 2" FPT, 2 per Pkg.	1
77703-0100	2" Union x 1-1/2" FPT, 2 per Pkg.	1
77703-0101	2" Union x 1-1/2" Slip, 2 per Pkg.	1
PUMP BASE NOISE REDUCER		
17350-0008	Rubber Pump Base Pad for MPR, P4R, P4E, TPR, TPE Models	1
LID WRENCH		
U79-11	Lid Wrench for 5" and 6" Plastic Trap Lids	1



U79-11

Hair and Lint Strainer Packages



Ordering Information

Product	Description	Suction Port Size	Carton Wt (Lbs)
HAIR AND LINT STRAINER PACKAGES			
PKG 115	5" Dura-Glas Trap with Basket	1-1/2" NPT	5
PKG 51	6" Cast Iron Trap with Basket (For C, CC, and D Series Pumps)	2" NPT	20
PKG 51WA	6" Cast Iron Trap with Basket (For C, CC, and D Series Pumps)	2" BSP	20
PKG 56	6" Bronze Trap with Basket (For C, CC, and D Series Pumps)	2" NPT	20
PKG 98	8" Cast Iron Trap with Basket (For C, CC, and D Series Pumps)	3" NPT	40
PKG 98WA	8" Cast Iron Trap with Basket (For C, CC, and D Series Pumps)	3" BSP	40
PKG 99	8" Bronze Trap with Basket (For C, CC, and D Series Pumps)	3" NPT	40
PKG 115W	5" Dura-Glas® Trap with Basket (For 5PR Series)	1-1/2" BSPT	5
PKG 118	2" x 1-1/2" NPT Reducer	-	1
PKG 76	Cast Iron Flange for Remote Trap Install	3" NPT	4
PKG 161	6" Noryl® Strainer (For P2R and PE Series)	2" NPT	6
PKG 161W	6" Dura-Glas® Trap (For 5PR Series)	2" BSPT	6
PKG 184	CSP Series Hair and Lint Strainer (1100 cu. in. capacity)	6" ANSI Flange	180
PKG 184C	CCSP Series Hair and Lint Strainer – Coated (1100 cu. in. capacity)	6" ANSI Flange	180



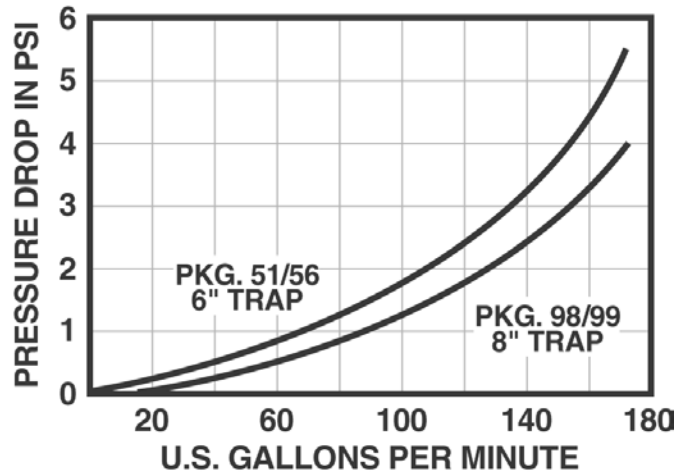
PKG 98/99
8"



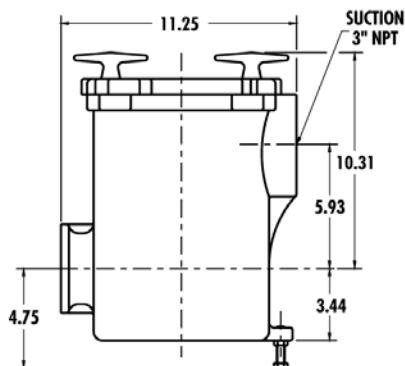
PKG 51/56
5" OR 6"



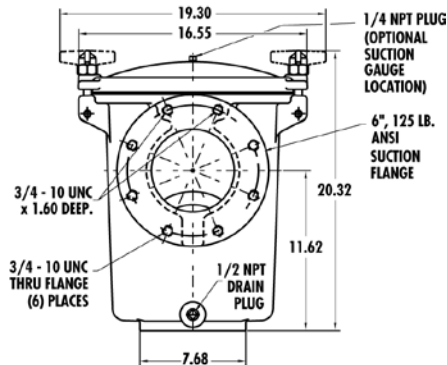
PKG 76



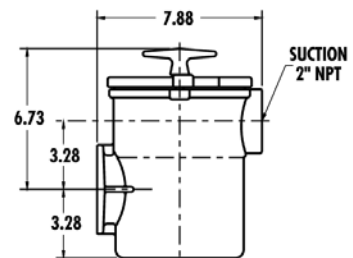
PKG 98/99 - 8 INCH TRAP



PK6 184/184C



PKG 51/56 - 6 INCH TRAP



See page 448 for replacement parts.