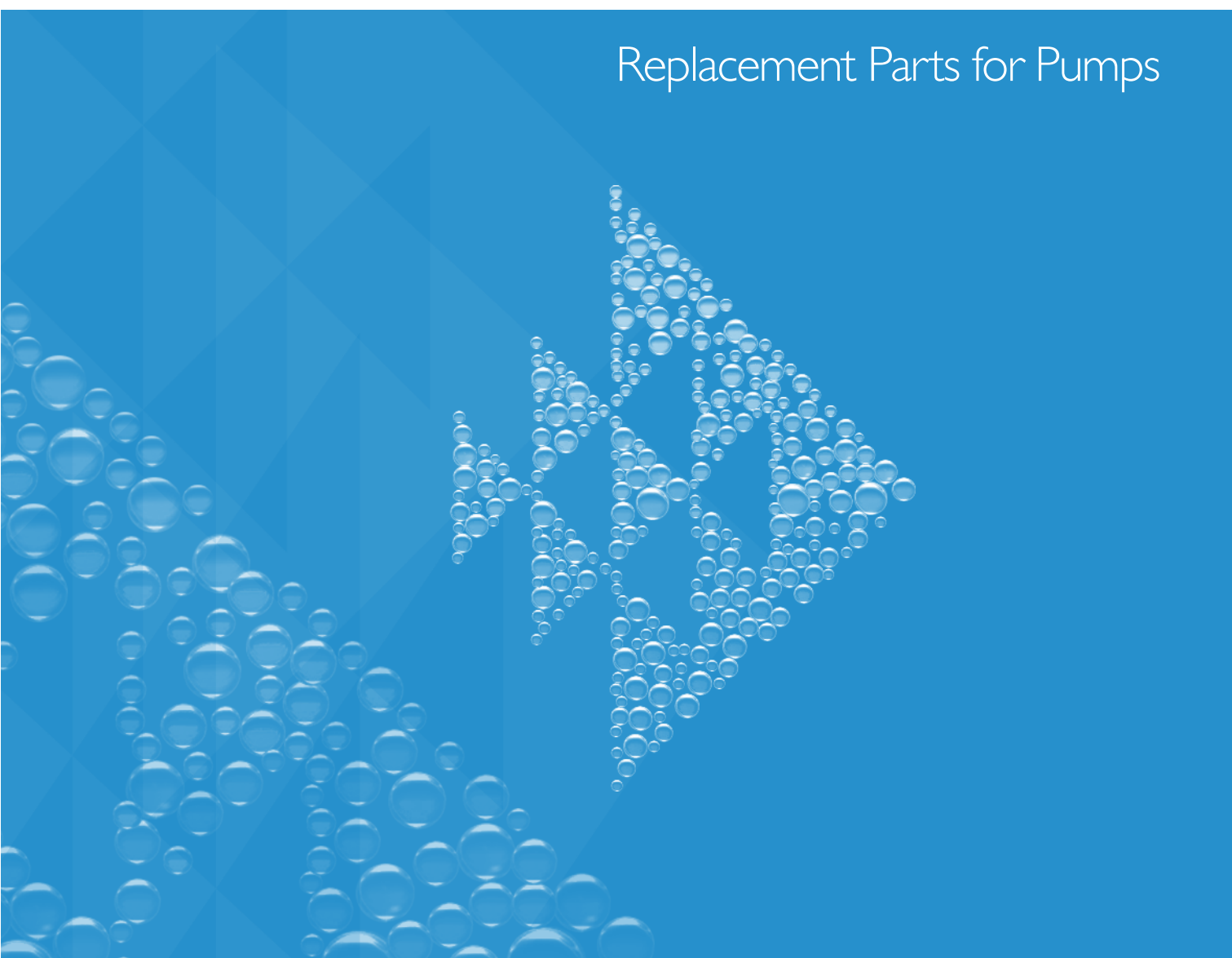


Pump Parts

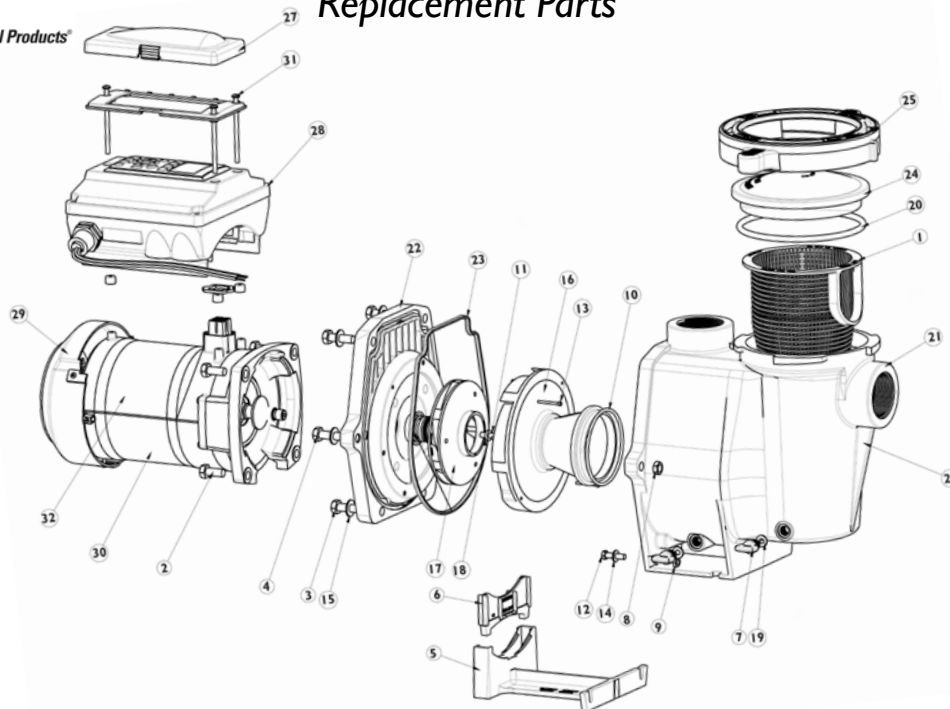
Replacement Parts for Pumps



IntelliFlo® VF Pump



Replacement Parts



Item No.	Part No.	Description	US List	Can. List
INTELLIFLO VF PUMP				
1	070387	Basket WF	14.87	16.65
2	070429	Bolt, hex HD, 2-56 x .875 S/S, 4 req.	2.13	2.39
3	070430	Bolt, 3/8, 16 x 1-1/4 hex cap 18-8 S/S, 4 req.	1.93	2.16
4	070431	Bolt, 3/8 -16 x 2 hex cap 18-8 S/S, 2 req.	2.13	2.39
5	070927	Foot WF, pump motor support, almond	29.67	33.23
6	070929	Foot insert WF pump, almond	14.87	16.65
7	071131	Plug drain WFE, almond, 2 req.	4.75	5.32
8	071403	Nut, 3/8, 16 brass nickel plated, 2 req.	1.21	1.36
9	071406	Nut, 1/4, 20 hex S/S, 2 req.	1.21	1.36
10	355227	O-ring #238, 3.48 x .139 buna N 70	2.53	2.83
11	071652	Screw, 1/4, 20 x 1 LH phillips pan MS 18-8 S/S, 1 req.	2.01	2.25
12	071657	Screw, 1/4, 20 x 1 in. hex cap 18-8 S/S, 2 req.	1.21	1.36
13	071660	Screw set, 4-40 x 1-1/8 WFE sckt cap 18-8 S/S, 2 req.	2.53	2.83
14	072183	Washer, flat 1/4 x 5/8 20GA thick 18-8 S/S, 2 req.	1.21	1.36
15	072184	Washer, 3/8 ID x 7/8 OD .05 thick 18-8 S/S, 6 req.	1.21	1.36
16	072928	Diffuser assembly, black	70.31	78.75
17	073131	Impeller	77.22	86.49
18	075713	Rubber washer WFE pump, 1 req.	1.21	1.36
19	192115	O-ring 1 1/2, .487 x .103 buna -N 70, 2 req.	0.97	1.09
20	350013	O-ring lid CH/WF 2-436, 1 req.	2.38	2.67
21	350015	Housing WFE, almond	176.58	197.77
22	350201	Seal plate kit, WFE, almond (Includes mechanical seal installed)	158.91	177.98
22	350202	Seal plate kit, almond w/ gasket (Includes mechanical seal installed and seal plate gasket)	155.78	174.47
23	357102	Almond Gasket for Seal plate ²	4.83	5.41

Item No.	Part No.	Description	US List	Can. List
23	357100	Black Gasket for Seal plate ¹	4.47	5.01
24	357151	Lid, see thru WF	27.78	31.11
24	357156	Lid, Chemical Resistant	52.37	58.65
25	357199	Clamp cam & ramp WF, almond	36.90	41.33
26	357243	Pot. assy., almond (contains 1, 7 (qty. 2), 19 (qty. 2), 20, 21, 24, 25)	369.48	413.82
27	350601	Control cover assy. kit, almond (contains cover assy., hardware/gasket kit, instr.)	167.54	187.64
28	350721	Drive IntelliFlo VF assy. kit, almond (contains drive VF-3050, control cover assy.)	CALL	CALL
29	352401	Motor fan kit, almond (contains fan shroud, fan, hardware)	136.09	152.42
30	350105S	Motor VFD 3.2KW PMSM replacement, almond	CALL	CALL
31	350612	Hardware/gasket assy. kit (contains 3 screws, 3 spacer caps and drive gasket)	83.62	93.65
32	070112	Power end IntelliFlo VF, almond (contains items: 2, 4, 10, 11, 13, 15, 16, 17, 19, 22, 23, 28, 30)	CALL	CALL

NOT SHOWN				
	350122	50 ft. Communication Cable	130.86	146.56
	357149	Almond Volute/Seal plate Replacement Kit (Items 1, 7 (Qty 2), 19 (Qty 2), 20, 21, 22, 23, 24, 25,	232.33	260.21
	350202	Seal Plate Kit with Gasket (Items 22 & 23)	155.78	174.47

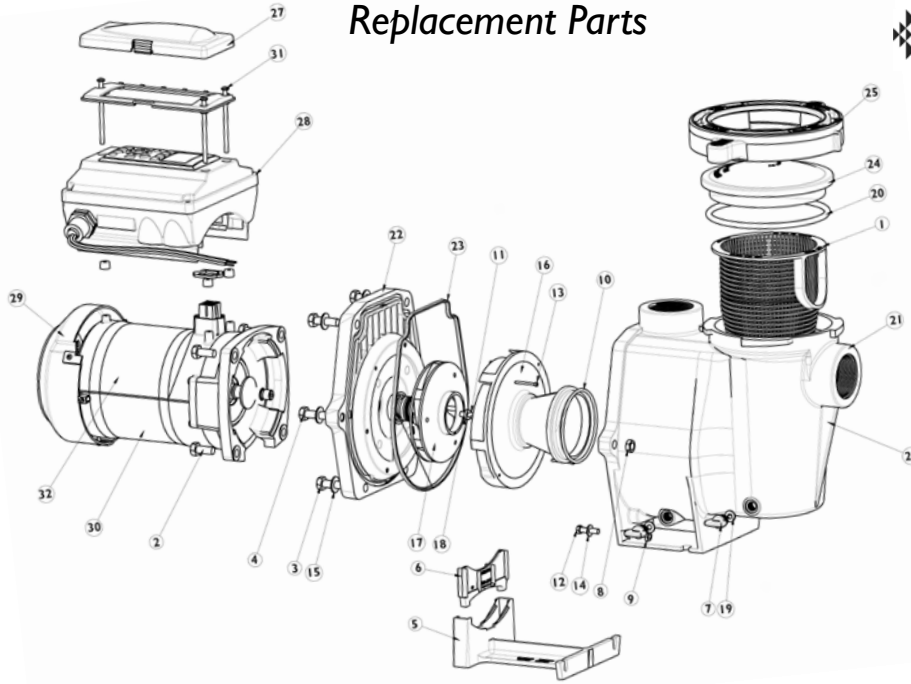
¹ Used on pumps manufactured after 2/1/08.

² Used on pumps manufactured before 2/1/08.

* Not serviceable parts.

IntelliFlo® VS 3050 & VS + SVRS Pump

Replacement Parts



Item No.	Part No.	Description	US List	Can. List	Item No.	Part No.	Description	US List	Can. List
INTELLIFLO VS 3050 & INTELLIFLO VS + SVRS									
1	070387	Basket WF	14.87	16.65	24	357151	Lid, see thru WF.	27.78	31.11
2	070429	Bolt hex HD, 2-56 x .875 S/S, 4 req.	2.13	2.39	24	357156	Lid, Chemical Resistant	52.37	58.65
3	070430	Bolt, 3/8-16 x 1-1/4 hex cap 18-8 S/S, 4 req.	1.93	2.16	25	357199	Clamp cam & ramp WF, almond	36.90	41.33
4	070431	Bolt, 3/8-16 x 2 hex cap 18-8 S/S, 2 req.	2.13	2.39	26	357243	Pot WF assy., almond (contains 1, 7 (qty. 2), 19 (qty. 2), 20, 21, 24, 25)	369.48	413.82
5	070927	Foot WF, pump motor support, almond	29.67	33.23	27	350601	Control cover assy. kit, almond (contains cover assy., hardware/gasket kit, instr.)	167.54	187.64
6	070929	Foot insert WF pump, almond	14.87	16.65	28	350921	Drive VS-3050 assy. kit, almond (contains drive VS-3050, control cover assy.) ³	CALL	CALL
7	071131	Plug drain WFE, almond, 2 req.	4.75	5.32	28	351021	Drive, IntelliFlo VS + SVRS Assembly Kit (Contains Drive VS and Control Cover Assembly)		Pump Serial Number required for ordering this part
8	071403	Nut, 3/8-16 brass nickel plated, 2 req.	1.21	1.36	29	352401	Motor fan kit, almond (contains fan, shroud, hardware).	136.09	152.42
9	071406	Nut, 1/4-20 hex S/S, 2 req.	1.21	1.36	30	350105S	Motor VFD 3.2KW PMSM replacement, almond	CALL	CALL
10	355227	O-ring #238, 3.484 x .139, buna N 70	2.53	2.83	31	350612	Hardware/gasket assy. kit (contains 3 screws, 3 spacer caps and drive gasket)	83.62	93.65
11	071652	Screw, 1/4, 20 x 1 LH phillips pan MS 18-8 S/S, 1 req.	2.01	2.25	32	070114	Power end IntelliFlo VS 3050, almond (contains items: 2, 4, 10, 11, 13, 15, 16, 17, 19, 22, 23, 28, 30) ³	CALL	CALL
12	071657	Screw, 1/4-20 x 1 in. hex cap 18-8 S/S, 2 req.	1.21	1.36	32	070117	Power end IntelliFlo VS + SVRS (Contains items 2, 4, 10, 11, 13, 15, 16, 17, 19, 22, 23, 28, 30)	CALL	CALL
13	071660	Screw set, 4-40 x 1-1/8 WFE sckt cap 18-8 S/S, 2 req.	2.53	2.83	NOT SHOWN				
14	072183	Washer, flat 1/4 x 5/8 20GA thick 18-8 S/S, 2 req.	1.21	1.36	350122		50 ft. Communication Cable	130.86	146.56
15	072184	Washer, 3/8 ID x 7/8 OD .05 thick 18-8 S/S, 6 req.	1.21	1.36	357149		Almond Volute/Seal plate Replacement Kit (Items 1, 7 (Qty 2), 20, 21, 22, 23, 24, 25,	232.33	260.21
16	072928	Diffuser assembly 12, black	70.31	78.75	350202		Seal Plate Kit with Gasket (Items 22 & 23)	155.78	174.47
17	073131	Impeller, IntelliFlo	77.22	86.49	350621		Junction Box Cover - Almond	76.39	85.56
18	175713	Rubber washer, WFE pump, 1 req..	CALL	CALL					
19	192115	O-ring 1 1/2, .487 x .103 buna -N 70, 2 req.	0.97	1.09					
20	350013	O-ring lid CH/WF 2-436, 1 req.	2.38	2.67					
21	350015	Housing WFE, almond	176.58	197.77					
22	350201	Seal plate kit, WFE, almond (Includes mechanical seal installed)	158.91	177.98					
22	350202	Sealplate Kit, Almond w/ gasket (includes mechanical seal installed and seal plate gasket)	155.78	174.47					
23	357102	Almond Gasket for Seal plate ²	4.83	5.41					
23	357100	Black Gasket for Seal plate ¹	4.47	5.01					

¹ Used on pumps manufactured after 2/1/08.

² Used on pumps manufactured before 2/1/08.

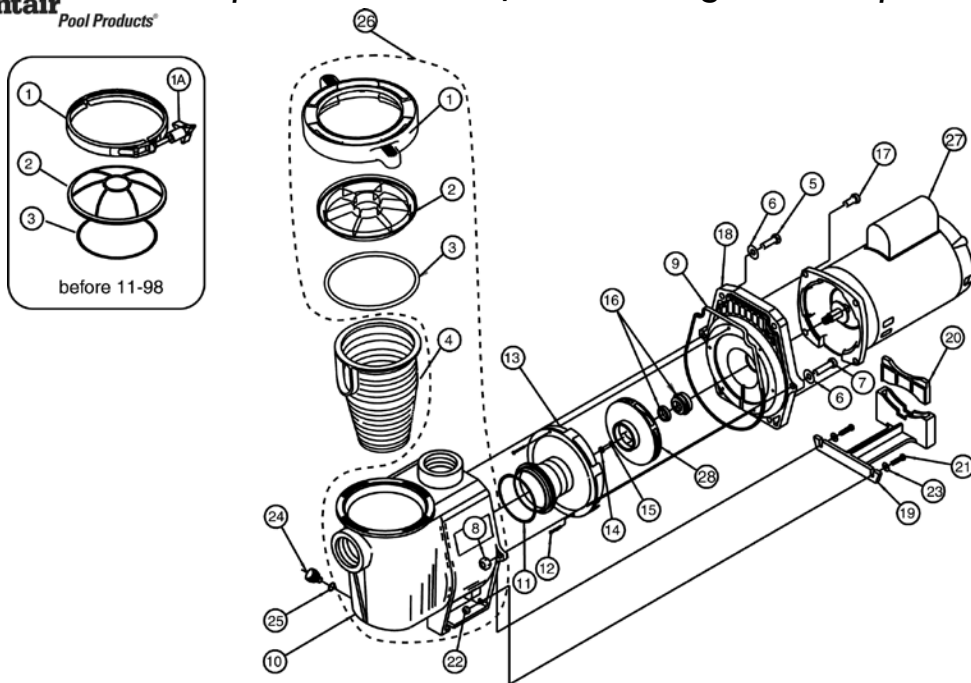
³ Contact factory for IntelliFlo VS + SVRS

* Not serviceable parts.

Product on page 152-153

WhisperFlo® Pump

Replacement Parts for Swimming Pool Pumps



Item No.	Part No.	Description	US List	Can. List
WHISPERFLO PUMPS				
1	070711	Clamp band assembly, SS, WF/AQ ⁵ (old style)	68.30	76.50
1	357150	Clamp, Cam & Ramp™, plastic, black, WF ⁷	36.90	41.33
1	357199	Clamp, Cam & Ramp, plastic, almond, WF ⁸	36.90	41.33
1A	071136	Knob, only ⁵	17.84	19.98
2	070795	Cover, clear, AQ/WFE pump ⁵ (old style)	38.63	43.27
2	357151	Cover, clear, WFE pump ⁶	27.78	31.11
2	357156	Cover, chemical resistant Cam & Ramp	52.37	58.65
3	071422	O-ring, AQ/WFE cover ⁵	5.35	5.99
3	350013	O-ring, WFE cover ⁶	2.38	2.67
4	070387	Basket	14.87	16.65
5	070430	Bolt, 3/8, 16 x 1.25 hex hd. SS, 4 req.	1.93	2.16
6	072184	Washer, 3/8 x 1 3/16 o.d. SS, 6 req.	1.21	1.36
7	070431	Bolt, 3/8, 16 x 1.75 hex hd. SS, 2 req.	2.13	2.39
8	071403	Nut, 3/8, 16 hex hd., 2 req.	1.21	1.36
9	071445	O-ring parker No.2-265, WFE pump ^{1,4}	13.34	14.94
9	357100	Black Gasket for Seal Plate ¹⁴	4.47	5.01
9	357102	Almond Gasket for Seal Plate ¹⁵	4.83	5.41
10	357149	Volute & Sealplate, Almond Replacement Kit ⁶	232.33	260.21
10	350015	Volute, almond ⁶	176.58	197.77
10	357157	Volute, black ⁹	176.58	197.77
11	355227	O-ring parker No.2-238, WFE pump	2.53	2.83
12	071660	Set screw, 4-40 x 1-1/8 WFE, 2 req.	2.53	2.83
13	072928	Diffuser assembly, WFE-12, 3 HP only	70.31	78.75
13	072927	Diffuser assembly, WFE-2-8, 1/2 HP - 2.5 HP	58.81	65.87

Item No.	Part No.	Description	US List	Can. List
14	071652	Set screw, 1/4, 20 x 1 lh. phillips	2.01	2.25
15	075713	Rubber washer, WFE pump	1.21	1.36
16	071734S	Seal PA-7 w/ceramic seat, PSI000	23.45	26.26
17	070429	Bolt, 3/8, 16 x 7/8 SS hex hd., 4 req.	2.13	2.39
18	350202	Seal Plate Kit, Almond with Gasket (Includes Mechanical Seal Installed and Seal Plate Gasket) Items 9, 16 & 18	155.78	174.47
18	350201	Seal Plate Kit WFE Almond (Includes Mechanical Seal installed) Items 16 & 18	158.91	177.98
18	350101	Seal Plate Kit WFE Black (Includes Mechanical Seal installed) Items 16 & 18	CALL	CALL
19	070927	Foot, WFE-4 pump, almond	29.67	33.23
19	357159	Foot, black ⁹	29.67	33.23
20	070929	Foot insert, WFE pump, almond	14.87	16.65
20	357160	Foot insert, WFE pump, black ⁹	14.87	16.65
21	071657	Screw, 1/4, 20 x 1 in. hh. SS, 2 req.	1.21	1.36
22	071406	Nut, 1/4, 20 hex. hd. SS, 2 req.	1.21	1.36
23	072183	Washer, flat 1/4 x 5/8, 2 req.	1.21	1.36
24	071131	Knob plug drain, 2 req. almond	4.75	5.32
24	357161	Knob plug drain, 2 req., black ⁹	3.10	3.47
25	192115	O-Ring drain plug, 2 req.	0.97	1.09
26	357149	Almond Volute/Seal plate replacement kit ⁶	232.33	260.21
MOTORS				
27	071313S	3/4 HP, 60 Hz, WFE-2, 3 & 24, 2 1 sp, almond 9 lbs. ³	CALL	CALL
27	071314S	1 HP, 60 Hz, WFE-4 & 26, 1 sp, almond, 33 lbs. ³	CALL	CALL
27	071315S	1-1/2 HP, 60 Hz, WFE-6 & 28, 1 sp, almond 39 lbs. ³	CALL	CALL
27	071316S	2 HP, 60 Hz, WFE-8 & 30, 1 sp, almond 40 lbs. ³	CALL	CALL

WhisperFlo® Pump (Cont'd)

Replacement Parts



Item No.	Part No.	Description	US List	Can. List
MOTORS				
27	071317S	3 HP, 60 Hz, WFE-12, 1 sp, almond 40 lbs. ³	CALL	CALL
27	356630S	1 HP, 2 sp., WFDS-4 & 26, 34 lbs. ¹¹	CALL	CALL
27	071320S	1-1/2 HP, 2 sp., WFDS-6 & 28, 36 lbs. ¹¹	CALL	CALL
27	071321S	2 HP, 2 sp., WFDS-8 & 30, 45 lbs. ¹¹	CALL	CALL
27	075232S	1/2 HP, WF-2, 23, 1 sp, almond, 39 lbs. ¹⁰	CALL	CALL
27	075233S	3/4 HP, WF-3, 24, 1 sp, almond, 26 lbs. ¹⁰	CALL	CALL
27	075234S	1 HP, WF-4, 26, 1 sp, almond, 28 lbs. ¹⁰	CALL	CALL
27	075235S	1-1/2 HP, WF-6, 28, 39 lbs. ¹⁰	CALL	CALL
27	075236S	2 HP, WF-8, 30, 32 lbs. ¹⁰	CALL	CALL
27	075237S	3 HP, 1 sp, WF-12, 1 sp, almond, 40 lbs. ¹⁰	CALL	CALL
27	355203S	WFK-4 motor, 28 lbs., 3 ph, 1 sp, black	CALL	CALL
27	355204S	WFK-6 motor, 30 lbs., 3 ph, 1 sp, black	CALL	CALL
27	355205S	WFK-8 motor, 37 lbs., 3 ph, 1 sp, black	CALL	CALL
27	355398S	WFK-12 motor, 35 lbs., 3 ph, 1 sp, black	CALL	CALL
27	356626S	1 HP, 3 ph, 1 sp, sq. flg. almond	CALL	CALL
27	356627S	1.5 HP, 3 ph, 1 sp, sq. flg. almond	CALL	CALL
27	356628S	2 HP, 3 ph, 1 sp, sq. flg. almond	CALL	CALL
27	356629S	3 HP, 3 ph, 1 sp, sq. flg. almond	CALL	CALL
27	356630S	1 HP, 1.5A, 2 spd., 1 ph, 1 sp, sq. flg., almond	CALL	CALL
IMPELLERS				
28	073126	Impeller (WF-2, WF-23, WFE-2, WFK-2)	77.22	86.49
28	073127	Impeller (WFE-3, WFE-24, WF-3, WF-24, WFK-3, WFDS-3, WFDS-24)	77.22	86.49
28	073128	Impeller (WFE-4, WFE-26, WF-4, WF-26, WFK-4, WFDS-4, WFDS-26)	77.22	86.49
28	073129	Impeller (WF-6, WF-28, WFE-6, WFE-28, WFK-6, WFDS-6, WFDS-28)	77.22	86.49
28	073130	Impeller (WF-8, WF-30, WFE-8, WFE-30, WFK-8, WFDS-8, WFDS-30)	77.22	86.49
28	073131	Impeller (WFE-12, WF-12)	77.22	86.49
POWER END SUBASSY. INCLUDES ITEMS No. 12 THRU 18, 27, 28				
	072521	WF-2, WF-23	30.13	33.75
	075145	WFDS-3, WFDS-24	987.92	1106.47
	075136	WFE-2	CALL	CALL

Item No.	Part No.	Description	US List	Can. List
	075137	WFE-3, WFE-24 ³	CALL	CALL
	075138	WFE-4, WFE-26 ³	CALL	CALL
	075139	WFE-6, WFE-28 ³	CALL	CALL
	075140	WFE-8, WFE-30 ³	CALL	CALL
	075141	WFE-12 ³	CALL	CALL
	075142	WFDS-4, WFDS-26 ¹¹	CALL	CALL
	075143	WFDS-6, WFDS-28 ¹¹	CALL	CALL
	075144	WFDS-8, WFDS-30 ¹¹	CALL	CALL
	075252	WF-3, WF-24 ¹⁰	CALL	CALL
	075253	WF-4, WF-26 ¹⁰	CALL	CALL
	075254	WF-6, WF-28 ¹⁰	CALL	CALL
	075255	WF-8, WF-30 ¹⁰	CALL	CALL
	075256	WF-12 ¹⁰	CALL	CALL
FLUID ENDS-ALL PARTS, W/O MOTOR				
	075452	WFE-3 fluid end, 3/4 HP	CALL	CALL
	075453	WFE-4 fluid end, 1 HP	CALL	CALL
	075454	WFE-6 fluid end, 1 1/2 HP	CALL	CALL
	075455	WFE-8 fluid end, 2 HP	CALL	CALL
	075456	WFE-12 fluid end, 3 HP	CALL	CALL

NOT SHOWN				
	79129900	2-Speed Toggle Switch	37.75	42.28
	350202	Seal Plate Kit: Seal plate (almond), Gasket (black), with installed Seal (Includes items 9, 16, & 18)	155.78	174.47
	350203	Seal Plate Kit: Seal plate (black), Gasket (black), with installed Seal (Includes items 9, 16, & 18)	155.78	174.47
	357243	Pot Assembly, Almond NPT. (Includes items 1-4, 10, 24 (qty. 2), 25 (qty. 2))	369.48	413.82
	357244	Pot Assembly, Black NPT. (Includes items 1-4, 10, 24 (qty. 2), 25 (qty. 2))	CALL	CALL

¹ Used on pumps manufactured before 6-94.

² Used on pumps manufactured after 6-94.

³ Energy efficient single phase.

⁴ Pumps manufactured before 11-98 require a volute replacement kit (357149) when replacing items No.9-gasket, No.10-volute, or No.18-seal plate. This kit will update the pump to the new configuration using the "Cam and Ramp" lid design.

⁵ Used on pumps manufactured before 11-98.

⁶ Used on pumps manufactured after 11-98. Includes items 1-4, 9, 10, 16, 18, 24, 25.

⁷ Used on pumps manufactured between 11-98 thru 12-17-99.

⁸ Used on pumps manufactured after 12-17-99.

⁹ CSA/CUL (only) for Canada.

¹⁰ Standard efficiency, single phase.

¹¹ Two Speed, single phase.

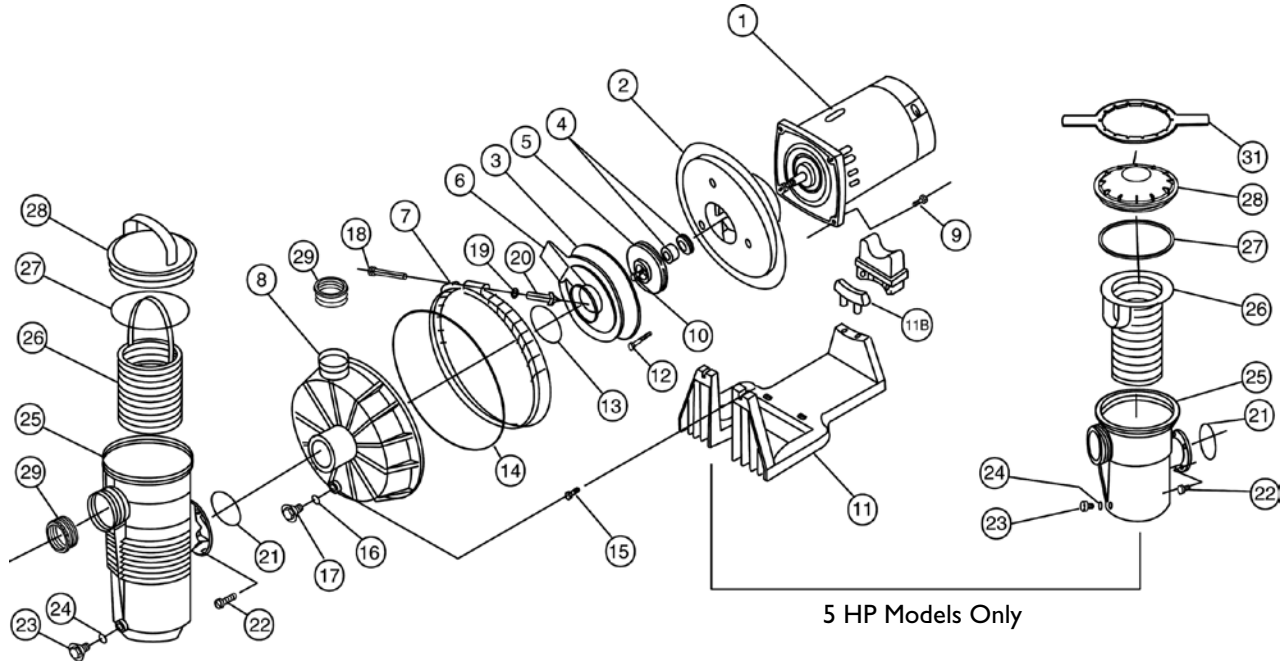
¹² Includes items 16 & 18.

¹⁴ Used on pumps manufactured after 2-1-08.

¹⁵ Used on pumps manufactured before 2-1-08.

Challenger® High Flow Pump

Replacement Parts for Swimming Pool Pumps



5 HP Models Only

Item No.	Part No.	Description	US List	Can. List	Item No.	Part No.	Description	US List	Can. List
CHALLENGER HIGH FLOW PUMPS									
MOTORS									
I	355371S	1/2F, 1/4A std. sq. fig., 115/230, 25 lbs.	CALL	CALL	I	355201S	3/4 HP, 3 ph sq. fig. CHII-NI	CALL	CALL
I	355339S	3/4F, 1A std. sq. fig., 115/230, 25 lbs.	CALL	CALL	I	355203S	1 HP, 3 ph sq. fig. CHII-NI	CALL	CALL
I	355340S	1F, 1-1/2A std. sq. fig., 115/230, 28 lbs.	CALL	CALL	I	355204S	1-1/2 HP, 3 ph sq. fig. CHII-NI	CALL	CALL
I	355342S	1-1/2F, 2A std. sq. fig., 230 only, 32 lbs.	CALL	CALL	I	355205S	2 HP, 3 ph sq. fig. CHII-NI	CALL	CALL
I	355702S	2F, 2-1/2A std. sq. fig., 230 only, 32 lbs.	CALL	CALL	2	355303	Plate, seal, black (all models except 5HP)	78.62	88.05
I	355703S	3F std. sq. fig. 230 only	CALL	CALL	2	355497	Plate, seal 5F, black (5HP only)	78.62	88.05
I	355391S	3/4FE, 1AE sq. fig. 115/208/230, 32 lbs.	CALL	CALL	2	355528	Plate, seal (almond)	112.84	126.38
I	355392S	1FE, 1-1/2AE sq. fig. 115/208/230, 34 lbs.	CALL	CALL	3	355028	Plate, mounting 1/2F, 3/4F, 3/4A, 1A	18.33	20.53
I	355393S	1-1/2FE, 2AE sq. fig. 208/230, 30 lbs.	CALL	CALL	3	355078	Plate, mounting 1F, 1-1/2F, 1-1/2A, 2A	11.53	12.91
I	355394S	2FE, 2-1/2AE sq. fig. 208/230, 36 lbs.	CALL	CALL	3	355095	Plate, mounting 2F, 2-1/2A	19.90	22.29
I	355395S	3FE, 1 ph sq. fig. 208/230, 40 lbs.	CALL	CALL	3	355495	Plate, mounting 5F	10.65	11.93
I	355398S	3FE, 3 ph sq. fig. 208/230/460, 22 lbs., black	CALL	CALL	4	354545S	Seal, 5/8 in. mechanical	22.14	24.80
I	355375S	3/4F, 1A std. sq. fig. 2 sp. 115 only, 28 lbs.	CALL	CALL	5	355043	Impeller, 1/2F, 3/4A	42.09	47.14
I	355232S	3/4F, 1A std. sq. fig. 2 sp. 230 only, 28 lbs.	CALL	CALL	5	355067	Impeller, 3/4F, 1A	42.93	48.08
I	355376S	1F, 1-1/2A std. sq. fig. 2 sp. 230 only, 33 lbs., black	CALL	CALL	5	355074	Impeller, 1F, 1-1/2A	43.45	48.66
I	355377S	1-1/2F, 2A std. sq. fig. 2 sp. 230 only, 36 lbs.	CALL	CALL	5	355086	Impeller, 1-1/2F, 2A	43.74	48.99
I	355378S	2F, 2-1/2A std. sq. fig. 2 sp. 230 only, 39 lbs.	CALL	CALL	5	355093	Impeller, 2F, 2-1/2A	44.54	49.88
I	355704S	5FE, 3 ph, 5 HP, 230/460 sq. fig. only	CALL	CALL	5	355068	Impeller, 3F 50 Hz/5F 60 Hz	42.93	48.08
I	355705S	5FE, 1 ph, 5 HP	CALL	CALL	6	355029	Diffuser, 1/2F, 3/4F, 3/4A, 1A	31.28	35.03
					6	355077	Diffuser, 1F, 1-1/2F, 1-1/2A, 2A	31.28	35.03
					6	355094	Diffuser, 2F, 2-1/2A	33.52	37.54
					6	355069	Diffuser, 3F, 50 Hz/5F 60 Hz	28.94	32.41
					7	355320	Band clamp assembly, complete	67.02	75.06

Challenger® High Flow Pump (Cont'd)

Replacement Parts



Item No.	Part No.	Description	US List	Can. List
CHALLENGER HIGH FLOW PUMPS				
8	355468	Housing, front, black ⁴	114.73	128.50
8	355469	Housing, front, almond ⁴	114.73	128.50
9	354290	Screw, ³ / ₈ in., 16 hex hd., 4 req.	2.05	2.30
10	355389	Screw, impeller locking	1.21	1.36
11	355305	Base, pump ¹	38.26	42.85
11B	355385	Adapter, 5 - ⁵ / ₈ in. dia. motor ²	9.77	10.94
12	355334	Screw, No.8, 32 hex wsh. hd., 3 req.	1.21	1.36
13	355030	O-ring, diffuser (all except shp)	7.24	8.11
13	355031	O-ring diffuser, 5 hp only	CALL	CALL
14	355329	O-ring, front housing	12.98	14.54
15	355335	Screw, ⁵ / ₁₆ , 18 x ¹ / ₂ in. SS hex hd., 2 req.	1.21	1.36
16	192115	O-ring, drain plug	0.97	1.09
17	154699	Plug, ¹ / ₄ in. drain	3.10	3.47
18	152060	Bolt, ⁵ / ₁₆ , 18 x 4 in. carriage ²	8.28	9.27
19	072173	Washer, ⁵ / ₁₆ in. SS flat	1.36	1.52
20	174882	Knob (fits clamp w/removable bolt only)	27.21	30.48
20	175025	Knob (fits clamp w/captured T-bolt only)	27.21	30.48
21	355330	O-ring, strainer pot flange	1.36	1.52
22	354265	Screw, ⁵ / ₁₆ , 18 hex wsh. hd., 4 req.	1.65	1.85
23	154699	Plug, ¹ / ₄ in. drain	CALL	CALL
24	192115	O-ring, drain plug	0.97	1.09
25	355300	Strainer, pot, black ³	113.11	126.68
25	355900	Strainer, pot, 5F 3 in. suction for all large strainer pot models, black	405.10	453.71
26	355318	Basket, plastic strainer	31.75	35.56
26	355441	Basket, SS Strainer (3F Only)	146.20	163.74
26	355901	Basket, SS strainer, 5F	316.95	354.98
27	350013	O-ring, lid	2.38	2.67
27	152509	Square ring, 8- ¹ / ₂ in. (5 HP only)	5.67	6.35
28	355301	Lid, strainer pot	49.80	55.78
28	354112	Lid, strainer pot, chemical resistant	49.80	55.78
28	355902	Lid, strainer pot, 5F, clear	57.76	64.69
28	355914	Lid, strainer pot, 5F, black, chemical resistant	48.59	54.42
29	552377	Bushing, reducer ¹ / ₂ F, ³ / ₄ F, ³ / ₄ A, 1A, 2 req.	11.06	12.39
31	154527	Wrench, 8- ¹ / ₂ in.	22.67	25.39

Item No.	Part No.	Description	US List	Can. List
POWER END ASSEMBLIES (INCLUDES ITEMS 1-6, 9, 12 AND 13)				
	355636	CF-N1- ¹ / ₂ F, ³ / ₄ A std., 115/230	CALL	CALL
	355637	CF-N1- ³ / ₄ F, 1A std., 115/230	CALL	CALL
	355638	CF-N1-1F, 1- ¹ / ₂ A std., 115/230	CALL	CALL
	355520	CF-N1-1- ¹ / ₂ F, 2A std., 230 only	CALL	CALL
	355984	CF-N1- ³ / ₄ F, 1AE 115/208/230	CALL	CALL
	355985	CF-N1-1FE, 1- ¹ / ₂ AE 115/208/230	CALL	CALL
	355639	CF-N1-1- ¹ / ₂ F, 2AE 208/230	CALL	CALL
	355986	CF-N1-2FE, 2- ¹ / ₂ AE 208/230	CALL	CALL
	355640	CF-N2- ³ / ₄ F, 1A 2 sp. std., 115 only	CALL	CALL
	355641	CF-N2-1F, 1- ¹ / ₂ A 2 sp. std., 230 only	CALL	CALL
	355642	CF-N2-1- ¹ / ₂ F, 2A 2 sp. std., 230 only	CALL	CALL
	355987	CF-N2-2F, 2- ¹ / ₂ A 2 sp. std., 230 only	CALL	CALL
	345211	CFII-N1-5FE, power end	CALL	CALL
	345301	CFII-N1-5F, 3 ph, power end	CALL	CALL
NOT SHOWN				
	355309	Union kit	84.77	94.94
	357391	Pot Assembly, Black with SS basket (3F Only) Includes items 23-28	533.33	597.33
	359507	Pot Assembly, Black with plastic bracket (all models except 3F and 5F) Includes items 23-28.	199.62	223.57

¹ Pump base (item 11) includes dual radius motor support adapter (item 11B) which fits both 5-5/8 in. & 6-1/2 in. dia. motors.

² Item 18, carriage bolt is a replacement part for old style clamp band assembly (item 7).

³ Includes items 23 & 24

⁴ Includes items 16 & 17

Note: Challenger booster pumps consist of 1-20.

Note: Challenger pumps consist of all items except No.15.

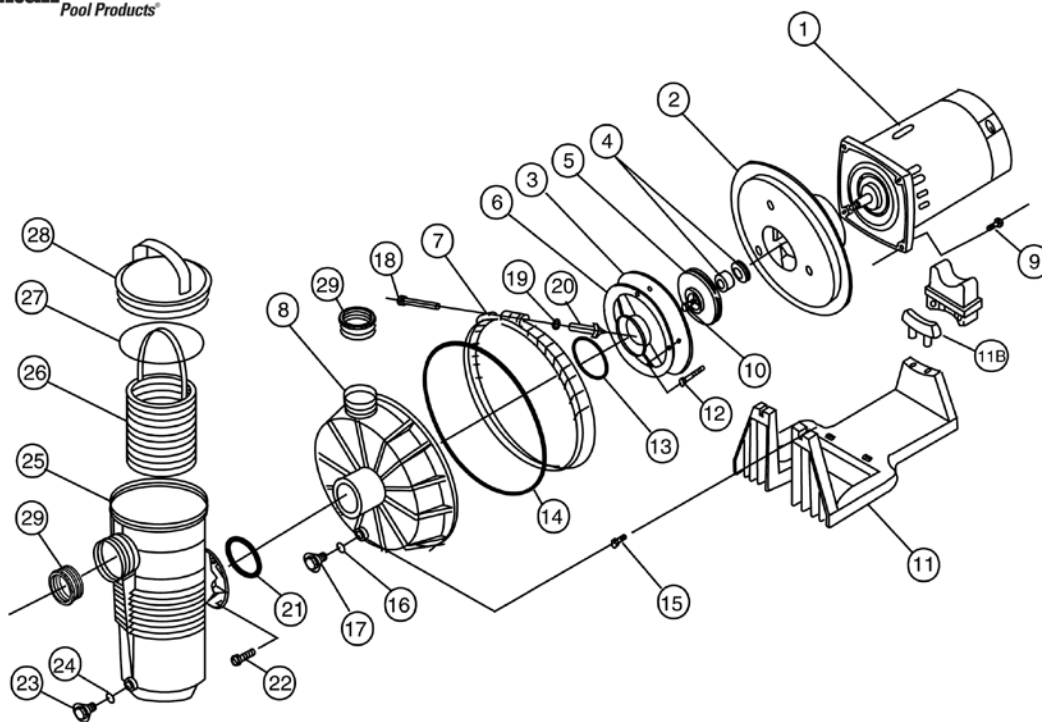
Note: When ordering replacement motor, give all information on motor name plate.

Product on pages 156-157

Replacement baskets on page 133

Challenger® High Pressure Pump

Replacement Parts for Swimming Pool Pumps



Item No.	Part No.	Description	US List	Can. List	Item No.	Part No.	Description	US List	Can. List
CHALLENGER HIGH PRESSURE PUMPS									
MOTORS									
I	355371S	1/2F, 3/4A std. sq. flg., 115/230, 25 lbs.	CALL	CALL	2	355303	Plate, seal	78.62	88.05
I	355339S	3/4F, 1A std. sq. flg., 115/230, 25 lbs.	CALL	CALL	3	355384	Plate, mounting 1/2F, 3/4A	23.47	26.29
I	355340S	1F, 1-1/2A std. sq. flg., 115/230, 28 lbs.	CALL	CALL	3	355317	Plate, mount 3/4F thru 3F, 1A thru 2-1/2A	11.53	12.91
I	355342S	1-1/2F, 2A std. sq. flg., 230 only, 32 lbs.	CALL	CALL	4	354545S	Seal, 5/8 in. mechanical PS 200	22.14	24.80
I	355702S	2F, 2-1/2A std. sq. flg., 230 only, 32 lbs.	CALL	CALL	5	355147	Impeller, 1/2F, 3/4A	42.09	47.14
I	355703S	3F std. sq. flg., 230 only	CALL	CALL	5	355187	Impeller, 3/4F, 1A	42.93	48.08
I	355391S	3/4FE, 1AE sq. flg., 115/208/230, 32 lbs.	CALL	CALL	5	355369	Impeller, 1F, 1-1/2A	43.57	48.80
I	355392S	1FE, 1-1/2AE sq. flg., 115/208/230, 34 lbs.	CALL	CALL	5	355315	Impeller, 1-1/2F, 2A	43.74	48.99
I	355393S	1-1/2FE, 2AE sq. flg., 208/230, 30 lbs.	CALL	CALL	5	355604	Impeller, 2F, 2-1/2A ¹	44.25	49.56
I	355394S	2FE, 2-1/2AE sq. flg., 208/230, 36 lbs.	CALL	CALL	5	355544	Impeller, 3F	57.12	63.97
I	355395S	3FE, 1 ph sq. flg., 208/230, 40 lbs.	CALL	CALL	6	355148	Diffuser, 1/2F, 3/4A	25.65	28.73
I	355398S	3FE, 3 ph sq. flg., 208/230/460, 35 lbs.	CALL	CALL	6	355188	Diffuser, 3/4F, 1F, 1A, 1 1/2A	25.00	28.00
I	355375S	3/4F, 1A std. sq. flg., 2 sp. 115 only, 28 lbs.	CALL	CALL	6	355270	Diffuser, 1-1/2F, 2A	25.84	28.94
I	355376S	1F, 1-1/2A std. sq. flg., 2 sp. 230 only, 33 lbs.	CALL	CALL	6	355545	Diffuser, 3F, 2.5A, 2F ²	71.99	80.63
I	355377S	1-1/2F, 2A std. sq. flg., 2 sp. 230 only, 36 lbs.	CALL	CALL	7	355320	Band, clamp assembly complete	67.02	75.06
I	355378S	2F, 2-1/2A std. sq. flg., 2 sp. 230 only, 39 lbs.	CALL	CALL	8	355468	Housing, front, black	114.73	128.50
					8	355469	Housing, front, almond	114.73	128.50
					9	354290	Screw, 3/8 in., 16 SS hex hd.	2.05	2.30
					10	355389	Screw, imp. locking	1.21	1.36
					11	355305	Base, pump ³	38.26	42.85
					11B	355385	Adapter, 5-5/8 in. dia. motor ⁴	9.77	10.94
					12	355334	Screw, 8-32 x 1 in. SS hex wsh. hd., 3 req.	1.21	1.36
					13	355331	O-ring, diffuser	1.29	1.44

Challenger® High Pressure Pump (Cont'd)

Replacement Parts



Item No.	Part No.	Description	US List	Can. List
CHALLENGER HIGH PRESSURE PUMPS				
14	355329	O-ring, front housing	12.98	14.54
15	355335	Screw, 5/16 in., 18 x 1/2 in. SS hex wsh. hd., 2 req.	1.21	1.36
16	192115	O-ring, drain plug	0.97	1.09
17	154699	Plug, 1/4 in. drain	3.10	3.47
18	152060	Bolt, 5/16 in., 18 x 4 in. carriage ⁵	8.28	9.27
19	072173	Washer, 5/16 in. SS flat	1.36	1.52
20	174882	Knob (fits clamp w/removable bolt only)	27.21	30.48
20	175025	Knob (fits clamp w/captured t-bolt only)	27.21	30.48
21	355330	O-ring, strainer pot flange	1.36	1.52
22	354265	Screw, 5/16 in., 18 x 3/4 in. SS hex wsh. hd., 4 req.	1.65	1.85
23	154699	Plug, 1/4 in. drain	CALL	CALL
24	192115	O-ring, drain plug	0.97	1.09
25	355300	Pot strainer	113.11	126.68
26	355318	Basket, plastic strainer (all except 3F)	31.75	35.56
26	355441	Basket, SS strainer (3F only)	146.20	163.74
27	350013	O-ring, lid	2.38	2.67
28	355301	Lid, strainer pot	49.80	55.78
28	354112	Lid, strainer pot chemical resistant	49.80	55.78
29	552377	Bushing, reducer 1/2F, 3/4F, 3/4A, 1A	11.06	12.39

POWER END ASSEMBLIES (INCLUDES ITEMS 1-6, 9, 10, 12 AND 13)

355670	CH-N1-1/2F, 3/4A std. power end 115/230	CALL	CALL
355671	CH-N1-3/4F, 1A std. power end 115/230	CALL	CALL
355672	CH-N1-1F, 1-1/2A std. power end 115/230	CALL	CALL
355669	CH-N1-1 1/2F, 2A std. power end 230 only	CALL	CALL
355673	CH-N1-3/4FE, 1AE power end 115/208/230 ¹	CALL	CALL

355674	CH-N1-1FE, 1-1/2AE power end 115/208/230 ¹	CALL	CALL
355675	CH-N1-1-1/2FE, 2AE power end 208/230 ¹	CALL	CALL
355676	CH-N1-2FE, 2-1/2AE power end 208/230 ¹	CALL	CALL
355677	CH-N1-3FE, 1 ph power end 208/230 ¹	CALL	CALL
355678	CH11-N1-3FE, 3 ph power end 208/230/460 ¹	CALL	CALL
355679	CH-N2-3/4F, 1A 2 sp. std. power end 115 only	CALL	CALL
355680	CH-N2-1F, 1-1/2A 2 sp. std. power end 230 only	CALL	CALL
355681	CH-N2-1-1/2F, 2A 2 sp. std. power end 230 only	CALL	CALL
355682	CH-N2-2F, 2-1/2A 2 sp. std. power end 230 only	CALL	CALL

NOT SHOWN

355302	Housing booster pump	158.74	177.79
355309	Union Kit	84.77	94.94
357391	Pot Assembly, Black with SS basket (3F Only) Includes items 23-28	533.33	597.33
359507	Pot Assembly, Black with plastic bracket (all models except 3F and 5F) Includes items 23-28.	199.62	223.57

¹ Used on 2F, 2-1/2A pumps built after 10-1-92.

² Used on 2F, 2-1/2A pumps built prior to 10-1-92. Must replace w/both diffuser 355545 & impeller 355604.

³ Pump base, (item 11) includes dual radius motor support adapter (item 11B), which fits both 5-5/8 in. & 6-1/2 in. dia. motors.

⁴ Item 11A motor support is a replacement part that fits only older style pump bases with rectangular opening.

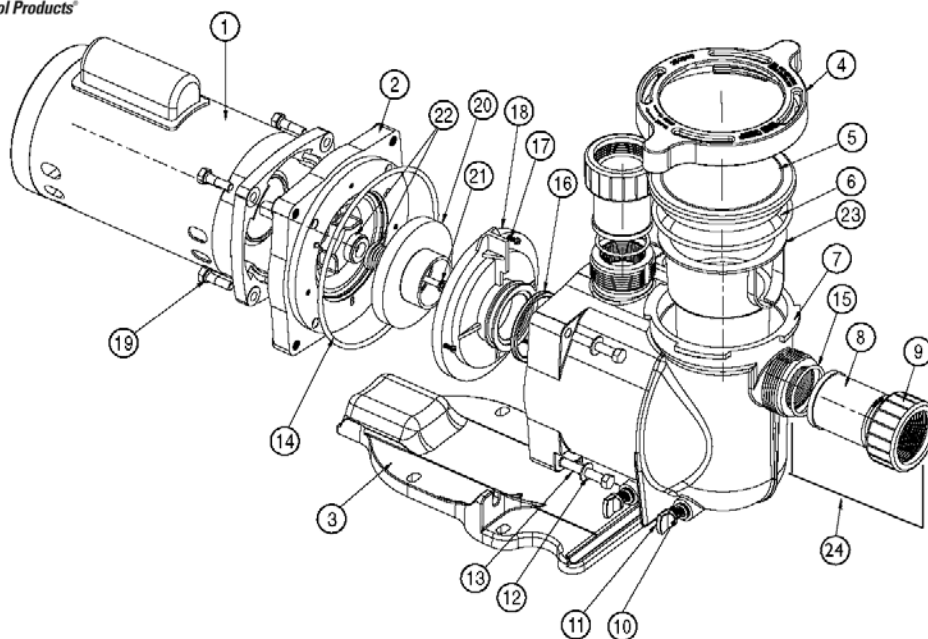
⁵ Carriage bolt (item 18) fits prev. style clamp band assembly (item 7).

Note: Challenger booster pumps consist of items 1-20.

Note: Challenger pool pumps consist of all items except item 15.

SuperFlo® Pump

Replacement Parts



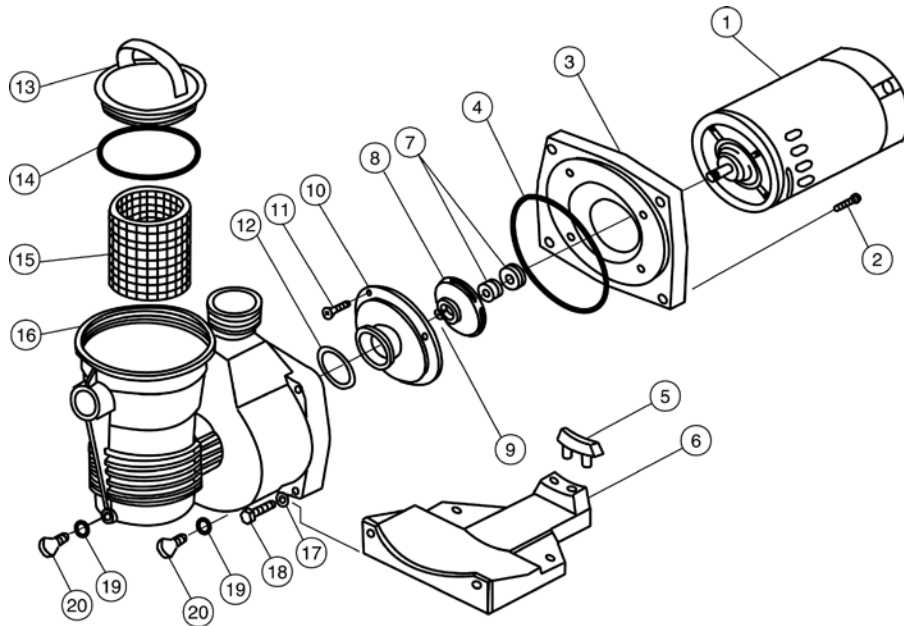
Item No.	Part No.	Description	US List	Can. List
SINGLE SPEED STANDARD SUPERFLO MOTORS				
1	075232S	1/2 HP Motor SQFL, 1 Speed, 1 phase, 60 Hz, 230/115V, almond	CALL	CALL
1	075232S	3/4 HP Motor SQFL, 1 Speed, 1 phase, 60 Hz, 230/115V, almond	CALL	CALL
1	075233S	1 HP Motor SQFL, 1 Speed, 1 phase, 60 Hz, 230/115V, almond	CALL	CALL
1	075234S	1-1.2 HP Motor SQFL, 1 Speed, 1 phase, 60 Hz, 230/115V, almond	CALL	CALL
1	075235S	2 HP Motor SQFL, 1 Speed, 1 phase, 60 Hz, 230/115V, almond	CALL	CALL
1	075236S	2-1/2 HP Motor SQFL, 1 Speed, 1 phase, 60 Hz, 230V, almond	CALL	CALL
DUAL SPEED SUPERFLO MOTORS				
1	355003S	1 HP Motor SQFL, 2 Speed, 1 phase, 60 Hz	CALL	CALL
1	356630S	1-1/2 HP Motor SQFL, 2 Speed, 1 phase, 60 Hz	CALL	CALL
1	071320S	2 HP Motor SQFL, 2 Speed, 1 phase, 60 Hz	CALL	CALL
ENERGY EFFICIENT SUPERFLO MOTORS				
1	071313S	SF-NI-1-AE	CALL	CALL
1	071314S	SF-NI-1-1/2 -AE	CALL	CALL
1	071315S	SF-NI-2-AE	CALL	CALL
1	071316S	SF-NI-2-1/2 -AE	CALL	CALL
SUPERFLO PUMPS				
2	356012	Seal plate	89.64	100.40
3	350094	Base	74.44	83.37
4	350090	Clamp, Cam & Ramp®	31.31	35.07
5	350091	Lid	25.12	28.13
6	357255	O-ring, lid No. 2-357	4.27	4.78
7	350089	Volute	227.51	254.81
8	350093	Adaptor, 2 req.	14.06	15.75
9	350092	Nut, 2 req.	15.08	16.89

Item No.	Part No.	Description	US List	Can. List
10	192115	O-ring drain plug, 2 req.	0.97	1.09
11	071131	Drain plug, 2 req.	4.75	5.32
12	355621	Screw, 3/4-16 x 2-1/4 Hex hd, 4 req.	3.86	4.32
13	072184	Washer, 3/8 in. SS, 4 req.	1.21	1.36
14	355619	O-ring, 1 req.	8.36	9.36
15	6020018	O-ring adaptor No.2-226, 2 req.	0.25	0.28
16	355030	Seal diffuser	7.24	8.11
17	355334	Screw, No.8-32 hex washer HD, 3 req.	1.21	1.36
SUPERFLO DIFFUSERS				
18	355617	Diffuser, 1/2 HP	74.24	83.15
18	355617	Diffuser, 3/4 HP	74.24	83.15
18	355617	Diffuser, 1 HP	74.24	83.15
18	355618	Diffuser, 1-1/2 HP	74.24	83.15
18	355618	Diffuser, 2 HP	74.24	83.15
18	350170	Diffuser, 2-1/2 HP	73.13	81.91
19	354290	Hex head screw, 3/8, 16, 4 req.	2.05	2.30
SUPERFLO IMPELLERS				
20	355043	Impeller 1/2 HP	42.09	47.14
20	355043	Impeller 3/4 HP	42.09	47.14
20	355067	Impeller 1 HP	42.93	48.08
20	355074	Impeller 1-1/2 HP	43.45	48.66
20	355086	Impeller 2 HP	43.74	48.99
20	355093	Impeller 2-1/2 HP	44.54	49.88
21	355389	Screw, impeller locking	1.21	1.36
22	354545S	Seal set	22.14	24.80
23	355667	Basket, large	17.33	19.41
KITS				
24	350157	Union Kit, items 8, 9 & 15 (2 of each included)	65.44	73.29

Product on pages 162-163

Pinnacle® High Flow Pump

Replacement Parts for Swimming Pool Pumps



Item No.	Part No.	Description	US List	Can. List
PINNACLE HIGH FLOW PUMPS				
MOTORS				
1	355371S	3/4A std. sq. flg., black	CALL	CALL
1	075232S	3/4A std. sq. flg. ⁴	CALL	CALL
1	355339S	1A std. sq. flg., 115/230, 25 lbs., black	CALL	CALL
1	075233S	1A std. sq. flg., 115/230, 25 lbs., almond	CALL	CALL
1	355340S	1-1/2A std. sq. flg., 115/230, 28 lbs., black	CALL	CALL
1	075234S	1-1/2A std. sq. flg., 115/230, 28 lbs., almond	CALL	CALL
1	355342S	2A std. sq. flg., 230 only, 32 lbs., black	CALL	CALL
1	075235S	2A std. sq. flg., 230 only, 32 lbs., almond	CALL	CALL
1	356438S	3/4 std. 48 frame thru-bolt 115 only, black ²	CALL	CALL
1	356439S	1 std. 48 frame thru-bolt 115 only, black ²	CALL	CALL
1	356440S	1-1/2 std. 48 frame thru-bolt 115/230, 23 lbs., black ²	CALL	CALL
2	354290	Hex hd. screw, 3/8-16, 4 req. ²	2.05	2.30
3	355666	Seal bracket thru-bolt, black ²	95.46	106.92
3A	356012	Seal plate, almond	89.64	100.40
4	355619	O-ring, seal bracket	8.36	9.36
5	355385	Motor support 48 frame ¹	9.77	10.94
6	355613	Pump base	39.18	43.88
7	354545S	Mechanical seal, 5/8 in., PS 200	22.14	24.80
8	355258	Impeller 3/4A	46.14	51.68
8	355263	Impeller 1A	CALL	CALL
8	355278	Impeller 1-1/2A	43.45	48.66
8	355225	Impeller 2A	43.77	49.02

Item No.	Part No.	Description	US List	Can. List
8A	355043	Impeller 1/2F, 3/4A ²	42.09	47.14
8A	355067	Impeller 3/4F, 1A ²	42.93	48.08
8A	355074	Impeller 1F, 1-1/2A ²	43.45	48.66
9	355389	Screw, impeller locking	1.21	1.36
10	355618	Diffuser, 1F, 1-1/2A Pinnacle ²	74.24	83.15
10	355617	Diffuser, 1/2F, 3/4A and 3/4F, 1A ²	74.24	83.15
11	355334	Screw, No.8-32 hex wsh. hd., 3 req.	1.21	1.36
12	355030	Seal, diffuser	7.24	8.11
13	355301	Lid, strainer pot, clear	49.80	55.78
13	354112	Lid, chemical resistant, black	49.80	55.78
14	350013	O-ring, lid	2.38	2.67
15	355667	Basket, large	17.33	19.41
16	356002	Pump housing, almond	260.94	292.25
17	072184	Washer, 3/8 in. SS, 4 req.	1.21	1.36
18	355621	Screw, 3/4, 16 x 2-1/4 hex hd., 4 req.	3.86	4.32
19	192115	O-ring, drain plug, 2 req.	0.97	1.09
20	154699	Drain plug, 2 req.	3.10	3.47
POWER ENDS INCLUDES ITEMS 1-4, AND 7-12				
	356813	1F, 1-1/2A power end, almond	CALL	CALL
	356814	3/4F, 1A power end, almond	CALL	CALL
	356815	1/2F, 3/4A power end, almond	CALL	CALL

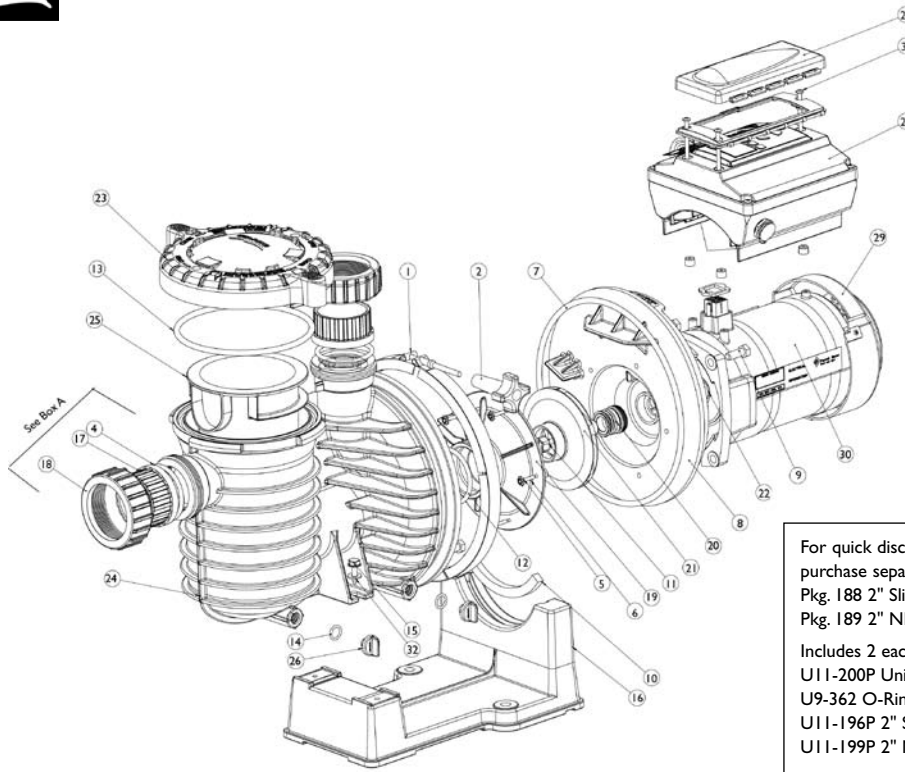
Note: When ordering replacement motor, give all information contained on motor name plate.

¹ This item, motor support P/N 355385 is required on 5/8 in. diameter motors.

² Items 2, 3A, 8A and 9, used on pumps built after November 1, 1994.

IntelliPro® VS 3050 Pump

Replacement Parts



Box A

For quick disconnect pipe connections, purchase separately:
 Pkg. I88 2" Slip ½ Union Kit or
 Pkg. I89 2" NPT ½ Union Kit.
 Includes 2 each:
 U11-200P Union Collar
 U9-362 O-Ring
 U11-196P 2" Slip adapter or
 U11-199P 2" NPT adapter.

Item No.	Part No.	Description	US List	Can. List
INTELLIPRO VS 3050 PUMP				
1	C19-37A	V-Clamp	80.55	90.22
2	WC36-22	Clamp, Knob	10.23	11.46
3	350122	Cable 50ft 2 COND, IntelliFlo to IntelliTouch (Not Shown).	130.86	146.56
4	U9-362	Orng #2- 231 buna N 70 DU	4.20	4.70
5	U43-21SS	#8 Ext Tooth Wshr, 5 req.	1.45	1.62
6	U30-922SS	Mach SCR HX HD 8- 32, 5 req.	0.84	0.94
7	U9-228A	O- Ring Sealplate, 1 req.	7.54	8.44
8	C103-194P	Sealplate.	56.58	63.37
9	U30-99SS	¾- 16 x 1" SOC CAP SCR	6.76	7.57
10	C35-11	Motor Pad	2.49	2.79
11	37337-6080	Impeller Screw	14.88	16.67
12	U9-374	O- Ring Diffuser	4.50	5.04
13	35505-1440	O- Ring 6.90 O.D 6.35 I.D	14.34	16.06
14	U9-359	ORNG #2 - 112 N674- 70 Drain Plug	CALL	CALL
15	U30-918SS	SCR ½/16- 14 x 1" LG HI-LO Hex	3.93	4.40
16	C4-78P	Base	35.05	39.26
17	U11-196PS	Adaptor Union 2" Slip	6.94	7.77
18	U11-200PS	Collar Union 2"	8.41	9.42
19	C1-271P	Diffuser	23.82	26.68
20	37400-0028S	Shaft Seal, Viton	29.97	33.57
21	C105-238PLA	Imp. Assy, 3 Phase	64.74	72.51
22	17351-0009	Slinger, Pump Shaft ¼/16"	1.45	1.62

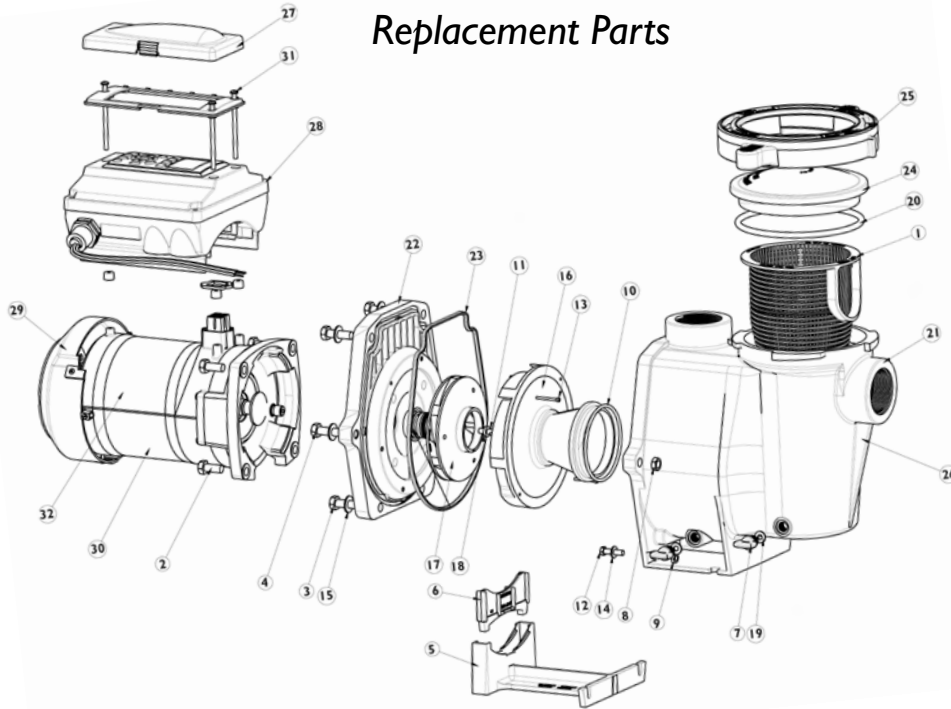
Item No.	Part No.	Description	US List	Can. List
23	17307-0111S	Trap Cover Assy. (Contains: Trap Cover, Trap Ring and Cover O-Ring)	54.26	60.77
24	17307-0110S	Tank Body Assy. Max- E- Pro Pump SVC 18 (Trap Body, Basket, Drain Plugs and Trap Cover Assy.)	239.95	268.74
25	C8-58P	Trap Basket	10.65	11.93
26	U78-920P	Drain Plug	1.53	1.71
27	350701	Cover Control Assy. Kit, Black (Contains: Cover Assy., Hardware/ Gasket Kit, Inst.)	167.54	187.64
28	350821	Drive Assy. IntelliFlo VS-3050 Kit, Black (Contains: Drive VS- 3050, Control Cover Assy. Kit Black.)	CALL	CALL
29	352501	Fan Motor Kit Black IntelliFlo (Contains: Fan Shroud, Fan, Hardware)	136.09	152.42
30	357294S	Motor VFD 3.2KW PMSW, Black	CALL	CALL
31	350612	Hardware/Gasket Kit (Contains: 3 Screws, 3 Spacer, and Drive Gasket)	83.62	93.65
32	U43-41SS	Washer ⅝"	1.70	1.90
33	357295	Power End Max-E-Flo (Contains Items: 5, 6, 7, 8, 9, 11, 12, 19, 20, 21, 22, 28, 30)	1971.15	2207.69

¹ Includes Trap Cover, Trap Ring and Cover O-Ring.

² Includes Trap Body, Basket, Drain Plugs and Trap Cover Assembly.

IntelliPro® VS + SVRS Pump

Replacement Parts



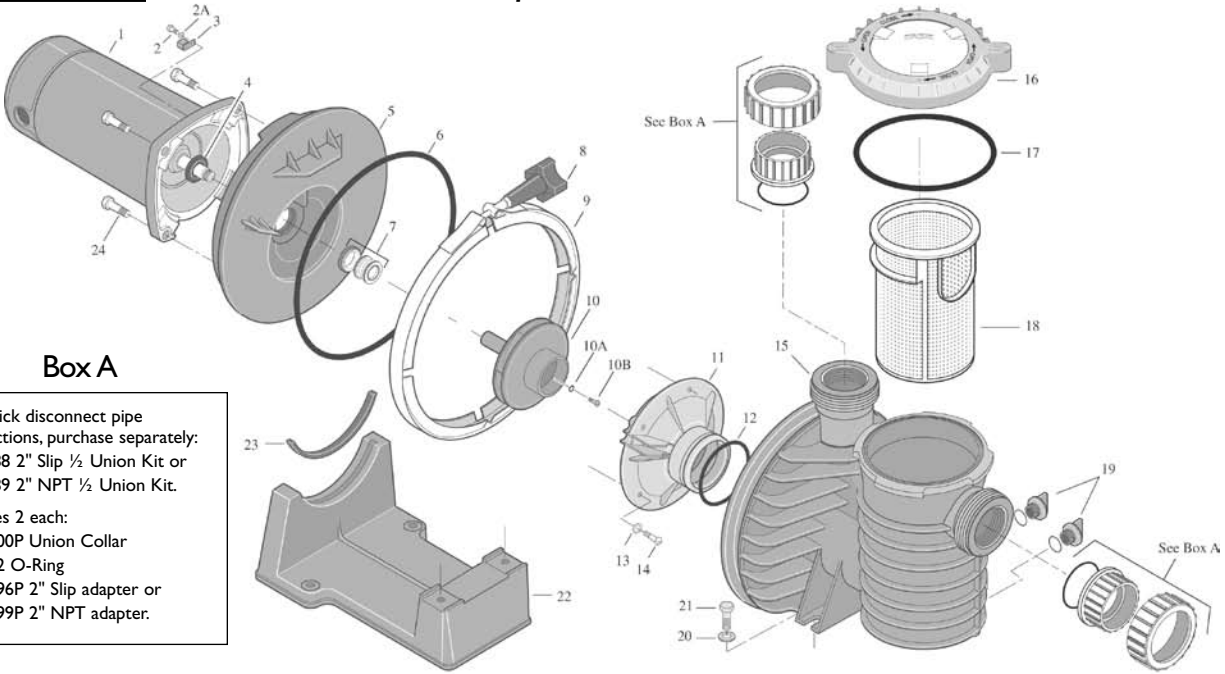
Item No.	Part No.	Description	US List	Can. List	Item No.	Part No.	Description	US List	Can. List
INTELLIPRO VS + SVRS									
1	070387	Basket WF	14.87	16.65	21	357157	Housing WFE, black	176.58	197.77
2	070429	Bolt hex HD, 2-56 x .875 S/S, 4 req.	2.13	2.39	22	350101	Seal plate kit, WFE, black (Includes mechanical seal installed - No Gasket)	CALL	CALL
3	070430	Bolt, 3/8-16 x 1-1/4 hex cap 18-8 S/S, 4 req.	1.93	2.16	22	350203	Sealplate Kit, Black w/ gasket (includes mechanical seal installed and seal plate gasket)	155.78	174.47
4	070431	Bolt, 3/8 -16 x 2 hex cap 18-8 S/S, 2 req.	2.13	2.39	23	357102	Almond Gasket for Seal plate ²	4.83	5.41
5	357159	Foot WF, pump motor support, black	29.67	33.23	23	357100	Black Gasket for Seal plate ¹	4.47	5.01
6	357160	Foot insert WF pump, black	14.87	16.65	24	357151	Lid, see thru WF.	27.78	31.11
7	357161	Plug drain WFE, black, 2 req.	3.10	3.47	24	357150	Lid, Chemical Resistant	36.90	41.33
8	071403	Nut, 3/8-16 brass nickel plated, 2 req.	1.21	1.36	25	357199	Clamp cam & ramp WF, black	36.90	41.33
9	071406	Nut, 1/4-20 hex S/S, 2 req.	1.21	1.36	26	357244	Pot WF assy., black (contains 1, 7 (qty: 2), 19 (qty: 2), 20, 21, 24, 25)	CALL	CALL
10	355227	O-ring #238, 3.484 x .139, buna N 70	2.53	2.83	27	357290	Control cover assy. kit, black (contains cover assy., hardware/gasket kit, instr.)	CALL	CALL
11	071652	Screw, 1/4, 20 x 1 LH phillips pan MS 18-8 S/S, 1 req.	2.01	2.25	28	353250	Drive, IntelliPro VS + SVRS Assembly Kit, black (Contains Drive VS and Control Cover Assembly)	Pump Serial Number required for ordering this part	
12	071657	Screw, 1/4-20 x 1 in. hex cap 18-8 S/S, 2 req.	1.21	1.36	29	352501	Motor fan kit, black (contains fan, shroud, hardware).	136.09	152.42
13	071660	Screw set, 4-40 x 1-1/8 WFE sckt cap 18-8 S/S, 2 req.	2.53	2.83	30	357294S	Motor VFD 3.2KW PMSM replacement, black	CALL	CALL
14	072183	Washer, flat 1/4 x 5/8 20GA thick 18-8 S/S, 2 req.	1.21	1.36	31	350612	Hardware/gasket assy. kit (contains 3 screws, 3 spacer caps and drive gasket)	83.62	93.65
15	072184	Washer, 3/8 ID x 7/8 OD .05 thick 18-8 S/S, 6 req.	1.21	1.36	NOT SHOWN				
16	072928	Diffuser assembly 12, black	70.31	78.75	350122	50 ft. Communication Cable	130.86	146.56	
17	073131	Impeller, IntelliPro VS + SVRS	77.22	86.49	350310	Junction Box Cover - Black	76.39	85.56	
18	175713	Rubber washer, WFE pump, 1 req..	CALL	CALL					
19	192115	O-ring 112, .487 x .103 buna -N 70, 2 req.	0.97	1.09					
20	350013	O-ring lid CH/WF 2-436, 1 req.	2.38	2.67					

¹ Used on pumps manufactured after 2/1/08.
² Used on pumps manufactured before 2/1/08.
³ Contact factory for IntelliFlo VS + SVRS
 * Not serviceable parts.



Max-E-Pro™ Series

Replacement Parts



Box A

For quick disconnect pipe connections, purchase separately:
 Pkg. 188 2" Slip ½ Union Kit or
 Pkg. 189 2" NPT ½ Union Kit.

Includes 2 each:
 U11-200P Union Collar
 U9-362 O-Ring
 U11-196P 2" Slip adapter or
 U11-199P 2" NPT adapter.

4285 1102

Model No.	HP	Motor No. (Item No. 1)	Impeller (Item No. 10)	Diffuser (Item No. 11)
I PHASE 60 HZ PUMPS - 115/230 V 1-Speed				
P6E6C-204L	1/2	AE100CHL	C105-238PX	CI-271PI
P6E6D-205L	3/4	AE100DHL	C105-238P	CI-271PI
P6R6D-205L	3/4	355021S	C105-238P	CI-271PI
P6E6E-206L	1	AE100EHL	C105-238PB	CI-271PI
P6EA6E-205L	1	AE100ELL	C105-238P	CI-271PI
P6RA6E-205L	1	A100ELL	C105-238P	CI-271PI
P6R6E-206L	1	355023S	C105-238PB	CI-271PI
P6EA6F-206L	1-1/2	AE100FLL	C105-238PB	CI-271PI
P6RA6F-206L	1-1/2	A100FLL	C105-238PB	CI-271PI
P6R6F-207L	1-1/2	355025S	C105-238PDBA	CI-271P
I PHASE 60 HZ PUMPS - 230V 1-Speed				
P6E6F-207L*	1-1/2	AE100FHL	17307-0116 ⁵ , C105-238PDBA ⁶	CI-271PA
P6EAA6F-216L*	1-3/4	AE100F5LL	C105238PDCA	CI-271P
P6RAA6F-216L*	1-3/4	A100F5LL	C105-238PDCA	CI-271P
P6E6G-208L*	2	AE100GHL	17307-0117 ⁵ , C105-238PGBA ⁶	CI-271PA
P6EA6G-207L*	2	AE100GLL	17307-0116 ⁵ , C105-238PDBA ⁶	CI-271PA
P6RA6G-207L*	2	A100GHL	17307-0116 ⁵ , C105-238PDBA ⁶	CI-271PA
P6R6G-208L	2	355027S	C105-238PEBA	CI-271P
P6EAA6G-208L*	2-1/2	AE100G5LL	17307-0117 ⁵ , C105-238PGBA ⁶	CI-271PA
P6E6H-209L*	3	AE100HLL	17307-0118 ⁵ , C105-238PLA ⁶	CI-271PA
P6EAA6G-208L	2 1/2		C105-238PEBA	CI-271P
P6R6H-209L	3	355034S	17307-0118 ⁵ , C105-238PLA ⁶	CI-271PA
I PHASE 60 HZ PUMPS - 2-Speed				
P6RA6YF-206L**	1-1/2 (Hi Speed), 1/4 (Low Speed)	A100FLL-Y	C105-238PBA	CI-271PI
P6RA6YG-207L*	2 (Hi Speed), 1/3 (Low Speed)	A100GLL-Y	17307-0116 ⁵ , C105-238PDBA ⁶	CI-271PA

⁵ Pumps built after 8/29/07

⁶ Pumps built on or before 8/29/07

Max-E-Pro™ Series (Cont'd)

Replacement Parts



Model No.	HP	Motor No. (Item No. 1)	Impeller (Item No. 10)	Diffuser (Item No. 11)
3 PHASE 60 HZ PUMPS - 230/115V Speed				
P6R6C3-204	1/2	355206S	C105-238PXA	CI-271PI
P6R6D3-205	3/4	355201S	C105-238PA	CI-271PI
P6R6E3-206	1	355203S	C105-238PBA	CI-271PI
P6R6F3-207	1-1/2	355204S	C105-238PDBA	CI-271P
3 PHASE 60 HZ PUMPS - 230V Speed				
P6R6G3-208	2	355205S	C105-238PEBA	CI-271P
P6R6H3-209	3	355398S	17307-01118 ⁵ , C105-238PLA ⁶	CI-271PA
3 PHASE 60 HZ PUMPS - 200/400v Speed				
P6R62D3-186	3/4	API00DH2	C105-238A	CI-271PI
P6R62E3-187	1	API00EH2	C105-238PBA	CI-271PI
P6R62F3-188	1-1/2	API00FH2	C105-238PDBA	CI-271P
P6R62G3-189	2	API00GH2	C105-238PEBA	CI-271P

Model No.	HP	Motor No. (Item No. 1)	Impeller (Item No. 10)	Diffuser (Item No. 11)	Motor Base
575 Volts, 3-Phase Models:					
P6EA6D36-204*	3/4	16502-0024	C105-238PX	CI-271PI	CI04-79P
P6EA6E36-205*	1	16503-0024	C105-238P	CI-271PI	CI04-79P
P6EA6G36-207	2	62001-1020	17307-01116 ⁵ , C105-238PDBA ⁶	CI-271P	CI04-79P
P6E6H36-209	3	62001-1021	17307-01118 ⁵ , C105-238PLA ⁶	CI-271PA	CI04-79P

Item No.	Part No.	Description	US List	Can. List
MAX-E-PRO SERIES REPLACEMENT PARTS				
1	Chart	Motor	CALL	CALL
2	U30-692SS	#10-32x1/2" Screw	1.48	1.66
2A	U43-22SS	Lock Washer	8.41	9.42
3	U17-568	Bonding Lug	1.45	1.62
4	17351-0009	Water Slinger	129.30	144.82
5	C203-194P	Seal Plate Kit (Incl. Part Nos. 6, 7)	7.54	8.44
6	U9-228A	O-Ring	29.97	33.57
7	37400-0028S	Shaft Seal, Viton	10.23	11.46
8	WC36-22	Clamp Knob	80.55	90.22
9	C19-37A	Clamp	CALL	CALL
10	Chart	Impeller	0.84	0.94
10A	35505-1426	Impeller Screw O-Ring	CALL	CALL
10B	Chart	Impeller Screw	CALL	CALL
11	Chart	Diffuser	4.50	5.04
12	U9-374	Diffuser O-Ring	1.45	1.62
13	U43-21SS	#8 Lock Washer	1.74	1.95
14	U30-542SS	Screw (w/ CI-271PI Diffuser)	239.95	268.74
15	17307-0110S	Tank Body Assembly ²	54.26	60.77
16	17307-0111S	Trap Cover Assembly ¹	14.34	16.06
17	35505-1440	Trap O-Ring	10.65	11.93
18	C8-58P	Basket	2.57	2.88
19	U178-920P	1/4" NPT Drain Plug	CALL	CALL

Item No.	Part No.	Description	US List	Can. List
19	U9-359	Drain Plug O-Ring	1.70	1.90
20	U43-41SS	Base Washer	3.93	4.40
21	U30-918SS	Base Screw	35.05	39.26
22	C4-78P	Base w/Motor Pad***	35.87	40.17
22	CI04-79P	Base w/Motor Pad (3 HP only)	4.20	4.70
23	C35-43	Motor Pad	6.19	6.93
23	C35-44	Motor Pad (3 HP only)	3.39	3.80
24	U30-74SS	3/8-16x1" Hex Hd. Screw	6.76	7.57
24	U30-99SS	3/8-16x1" Hex Hd. Screw (3 HP only)	6.75	7.22
NOT SHOWN				
	U27-68	Voltage Sticker - 230 Volts (Single voltage models only)	0.27	0.30
	U27-153	Voltage Sticker - 115/230 Volts (Dual voltage models only)	0.72	0.81

¹ Includes Trap Cover, Trap Ring and Trap Cover O-Ring.

² Includes Trap Body, Basket, Drain Plugs, and Trap Cover Assembly.

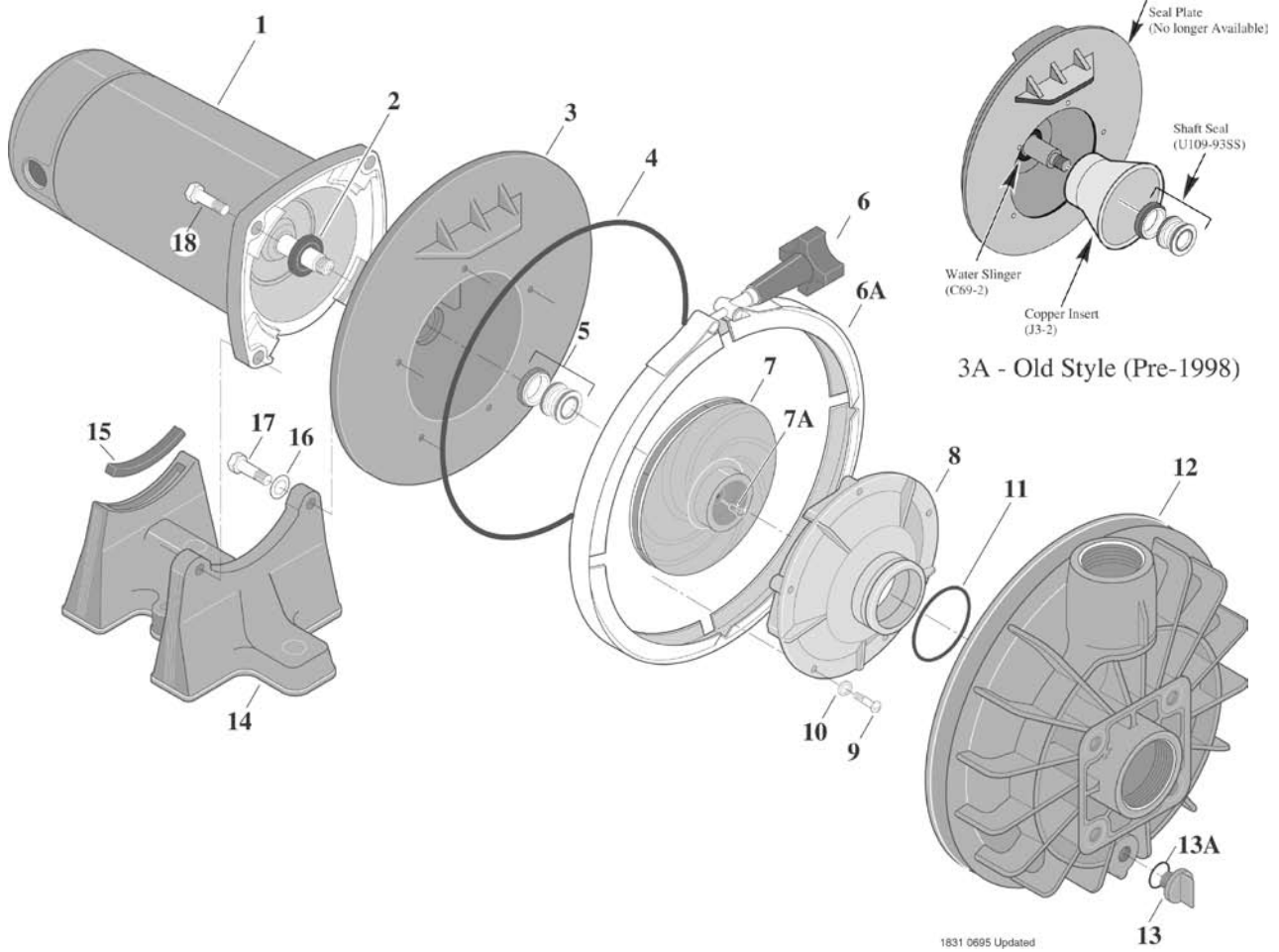
³ Uses Key No. 10B Impeller Screw No. 37337-6080.

⁴ Uses Key No. 10B Impeller Screw No. 37337-6081.

Product on pages 166-169

Max-E-Glas® / Dura-Glas® Series

"Full Rate" Models - Replacement Parts



1831 0695 Updated

POINT-OF-SALE, STOCK ROOM, SERVICE VEHICLE

Attractive, clamshell packaging contains recommended parts for seal/gasket servicing or complete overhaul of most swimming pool/spa pumps. Eliminate the need for large parts inventories, protect parts from damage, and reduce paperwork.

SEAL/GASKET KITS - Include Shaft Seal, Gaskets, and O-Rings

Pump Series	Parts Pak #
PE, PEA, PR, PRA, P2R, P2RA (Models with copper insert pre 1998)	PP1000
PE, PEA, PR, PRA, P2R, P2RA (Models without copper insert 1998)	PP1200

OVERHAUL KITS - Include Impeller, Shaft Seals, Gaskets, O-Rings, Diffuser, Diffuser Screws and other appropriate hardware.

Pump Series	HP	Parts Pak #
PE, P2R	1/3	PP1010
PE, P2R	1/2	PP1011
PE, P2R	3/4	PP1014
PE, P2R	1	PP1016
PE, P2R	1-1/2	PP1018
PE, P2R	2	PP1017
PE, P2R	3	PP1019

Max-E-Glas® / Dura-Glas® Series (Cont'd)

"Full Rate" Models - Replacement Parts



Parts are common to all models except as noted:
Part Nos. 1, Motor; and 7, Impeller, are listed below.

Model No.	Pumps with Copper Insert		HP	Motor No. (Key No. 1)	Impeller No. (Key No. 7)
MAX-E-GLAS					
115/230 Volt					
PE5C-180L	(-120L)	½	AE100CHL	C105-92PS	
PE6C-120L		½	AE100CHL	C105-92PS	
PE5D-181L	(-124L)	¾	AE100DHL	C105-138PEB	
PE6D-124L		¾	AE100DHL	C105-138PEB	
PE5E-182L	(-125L)	1	AE100EHL	C105-137PEB	
PE6E-182L	(-125L)	1	AE100EHL	C105-137PEB	
230 Volt					
PE5F-126L ⁵		1½	AE100FHL	C105-137PDBA	
PE6F-183L ⁵	(-126L)	1½	AE100FHL	C105-137PDBA	
PE5G-122L ⁵		2	AE100GHL	C105-137PDA	
PE6G-184L ⁵	(-122L)	2	AE100GHL	C105-137PDA	
PE6H-185L ⁵	(-139L)	3	AE100HHL	C105-137PKBA	
PE6H-139LC ⁵		3	AE100HHL	C105-137PKBA	
100/200 Volt					
PE52C-180L	(-120)	½	AE100CH2	C105-92PS	
PE52D-181L	(-124)	¾	AE100DH2	C105-138PEB	
PE52E-182L	(-125)	1	AE100EH2	C105-137PEB	
PE52F-183L ⁵	(-126)	1½	AE100FH2	C105-137PDBA	
PE52G-184	(-122)	2	AE100GH2	C105-137PDA	
230 Volt					
PE52G-185 ⁵	(-122)	2	AE100GH2	C105-137PDA	
PE62H-139 ⁵		3	AE100HL2	C105-137PKBA	
200/230/460 Volt - 3 Phase					
PE6H3-185 ⁵	(-139)	3	API00HL	C105-137PKBA	
DURA-GLAS					
115 Volt - 2 Speed					
P2R5YD-133L		¾-½	A100DShL-Y	C105-138PEB	
P2R5YE-133L		1	A100ESL-Y	C105-137PEB	
115/230 Volt					
P2R5C-180L	(-120L)	½	A100CHL	C105-92PS	
P2R5D-181L	(-124L)	¾	A100DHL	C105-138PEB	
P2R5E-182L	(-125L)	1	A100EHL	C105-137PEB	
115/230 Volt					
P2R5F-126L ⁵		1½	A100FLL	C105-137PDBA	
230 Volt - 2 Speed					
P2R5YD-124L		¾-½	NLA	C105-138PEB	
P2R5YE-125L		1-½	NLA	C105-137PEB	
P2R5YF-126L ⁵		1½-¾	NLA	C105-137-PDBA	
200/400 Volt - 3 Phase					
P2R5D3-181 ⁵	(-124)	¾	API00DH2	C105-138PEBA	
P2R5E3-181 ⁵	(-125)	1	API00EH2	C105-137PEBA	
P2R5F3-183 ⁵	(-126)	1½	API00FH2	C105-137PDBA	
P2R5G3-184 ⁵	(-122)	2	API00GH2	C105-137PDA	
230/460 Volt - 3 Phase					
P2R5D3-181 ⁵	(-124)	¾	API00DH	C105-138PEBA	
P2R5E3-182 ⁵	(-125)	1	API00EH	C105-137PEBA	
P2R5F3-183 ⁵	(-126)	1½	API00FH	C105-137PDBA	
P2R5G3-184 ⁵	(-122)	2	API00GH	C105-137PDA	

Item No.	Part No.	Description	US List	Can. List
MAX-E-GLAS / DURA-GLAS SERIES REPLACEMENT PARTS				
1	See Table	Motor	CALL	CALL
2	17351-0009	Water Slinger ⁴	1.45	1.62
3	C203-193P	Seal Plate Kit ^{1,2}	129.30	144.82
4	U9-228A	O-Ring	7.54	8.44
5	17304-0100S	Shaft Seal (For Seal Plate Design without Copper Insert)	10.05	11.26
6	WC36-22	Clamp Knob	10.23	11.46
6A	C19-37A	Clamp	80.55	90.22
7	See Table	Impeller	CALL	CALL
7A	C30-12	Impeller Screw - 1½ thru 3 HP ³	5.98	6.70
8	C1-216P	Diffuser - ½ HP (Full Rate)	22.71	25.44
8	C1-200PA	Diffuser - ¾ thru 2½ HP (Full Rate)	24.12	27.01
8	C1-259P	Diffuser - 3 HP (Full Rate)	24.12	27.01
9	U30-542SS	Screw, 8-32 x 7/8"	1.74	1.95
9	U30-869SS	Screw, 8-32 x 1" (Model PE6H3)	0.46	0.52
10	U43-21SS	Washer, #8 Lock	1.45	1.62
11	U9-226	Diffuser O-Ring	1.74	1.95
12	C176-47PI	Tank Body	102.96	115.32
13	U178-920P	Drain Plug ¼" NPT with O-Ring	2.57	2.88
13A	U9-359	Drain Plug O-Ring	CALL	CALL
14	C104-42P	Base with Motor Pad	34.20	38.30
14	C104-41P	Base with Motor Pad (3 HP Only)	37.60	42.11
15	C35-11	Motor Pad	2.49	2.79
16	U43-42SS	Washer, Flat	1.70	1.90
17	U30-74SS	Capscrew, 3/8 - 16 x 1" Hex Head (3 HP Only)	3.39	3.80
17	U30-99SS	Capscrew, 3/8 - 16 x 1" Soc. Head	6.76	7.57
18	U30-77SS	Capscrew, 3/8 - 16 x 1¾" Hex Head	4.55	5.10
18	U30-778SS	Capscrew, 3/8 - 16 x 1¾" Soc. Head (3 HP Only)	CALL	CALL
NOT SHOWN				
	C78-7P	Reducer 2"x1½"	15.06	16.87

¹ Includes Seal Plate, Shaft Seal and Seal Plate O-Ring.

² New Seal Plate design. See insert drawing on opposite page for models with Copper Insert, see Figure 3A.

³ C30-12 Impeller Screw is required on all pumps using a 3-phase motor.

⁴ Replaces C69-2 (effective 9/00).

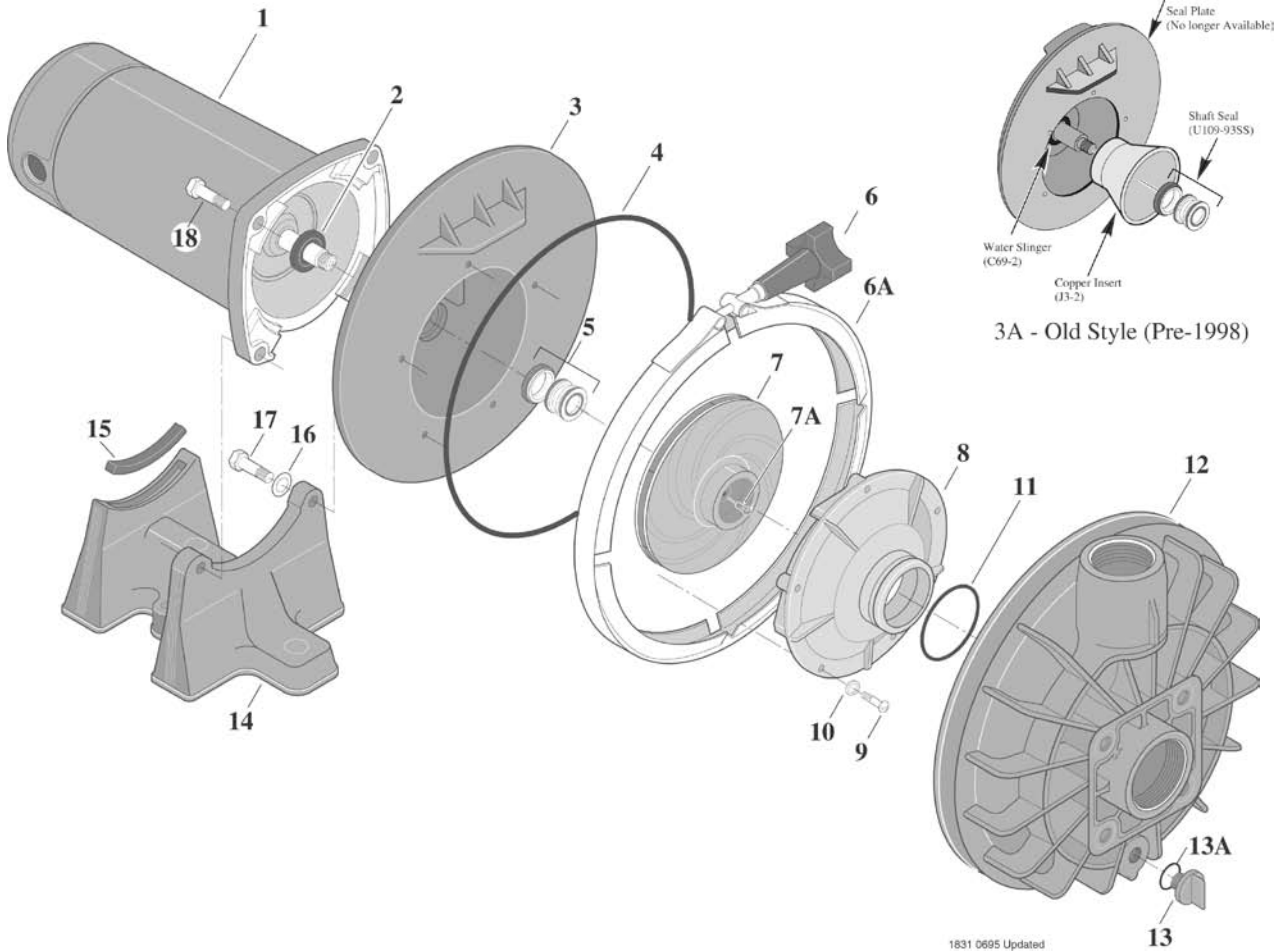
⁵ Requires one Impeller Screw, Part No. C30-12.

Note: PE5 and P2R5 models include 5" trap, PKG. 115.

Note: PE6 models include 6" trap, PKG. 161.

Max-E-Glas® / Dura-Glas® Series

"Up-Rate" Models - Replacement Parts



POINT-OF-SALE, STOCK ROOM, SERVICE VEHICLE

Attractive, clamshell packaging contains recommended parts for seal/gasket servicing or complete overhaul of most swimming pool/spa pumps. Eliminate the need for large parts inventories, protect parts from damage, and reduce paperwork.

SEAL/GASKET KITS - Include Shaft Seal, Gaskets, and O-Rings

Pump Series	Parts Pak #
PE, PEA, PR, PRA, P2R, P2RA (Models with copper insert pre 1998)	PP1000
PE, PEA, PR, PRA, P2R, P2RA (Models without copper insert 1998)	PP1200

OVERHAUL KITS - Include Impeller, Shaft Seals, Gaskets, O-Rings, Diffuser, Diffuser Screws and other appropriate hardware.

Pump Series	HP	Parts Pak #
PEA, P2RA	½	PP1010
PEA, P2RA	¾	PP1011
PEA, P2RA	1	PP1014
PEA, P2RA	1-½	PP1016
PEA, P2RA	2	PP1018
PEA, P2RA	2-½	PP1017

Max-E-Glas® / Dura-Glas® Series (Cont'd)

"Up-Rate" Models - Replacement Parts



Parts are common to all models except as noted:
Part Nos. 1, Motor; and 7, Impeller, are listed below.

Model No.	Pumps with Copper Insert	HP	Motor No. (Key No. 1)	Impeller No. (Key No. 7)
MAX-E-GLAS				
115 Volt				
P2RA5YE-194L	(-133L)	1-½	A100ESLL-Y	C105-138PEB
115/230 Volt				
PEA5D-180L	(-120L)	¾	AE100DLL	C105-92PS
PEA6D-120L		¾	AE100DLL	C105-92PS
PEA5E-181L	(-124L)	1	AE100ELL	C105-138PEB
PEA6E-124L		1	AE100ELL	C105-138PEB
PEA5F-182L	(-125L)	1½	AE100FLL	C105-137PEB
PEA6F-182L	(-125L)	1½	AE100FLL	C105-137PEB
230 Volt				
PEA5G-126L ⁵		2	AE100GLL	C105-137PDBA
PEA6G-183L ⁵	(-126L)	2	AE100GLL	C105-137PDBA
PEAA5G-122L ⁵		2½	AE100G5LL	C105-137PDA
PEAA6G-184L ⁵	(-122L)	2½	AE100G5LL	C105-137PDA
200 Volt				
PEA52F-125†		1½	AE100FL2	C105-137PEBA
PEA52G-126†		2	AE100GL2	C105-137PDBA
DURA-GLAS				
115 Volt				
P2RA5YF-182L	(-162L)	1½-¾	A100F5LL-Y	C105-137PEBA
115/230 Volt				
P2RA5C-179L	(-119L)	½	A100CLL	C105-92PR
P2RA5D-180L	(-120L)	¾	A100DLL	C105-92PS
P2RA5E-181L	(-124L)	1	A100ELL	C105-138PEB
P2RA5F-182L	(-125L)	1½	A100FLL	C105-137PEB
P2RAXF-182LS		1½	A100FLL	C105-137PEB
P2RA6F-125L		1½	A100FLL	C105-137PEB
230 Volt				
P2RA5G-126L ⁵		2	A100GLL	C105-137PDBA
P2RA6G-183L ⁵	(-126L)	2	A100GLL	C105-137PDBA
230/460 Volt - 3 Phase				
P2RA5C3-179	(-119)	½	AP100CL	C105-92PRA
230 Volt - 2 Speed				
P2RA5YE-181L, LC	(-124L)	1-½	A100ELL-Y	C105-138PEB
P2RA5YF-182L ⁵	(-125L)	1½-¾	A100FLL-Y	C105-137PEBA
P2RA5YG-183L ⁵	(-126L)	2-½	AE100GLL-Y	C105-137PDBA
P2RA6YG-183L ⁵	(-126L)	2-½	AE100GLL-Y	C105-137PDBA

Item No.	Part No.	Description	US List	Can. List
MAX-E-GLAS / DURA-GLAS SERIES REPLACEMENT PARTS				
1	See Table	Motor	CALL	CALL
2	17351-0009	Water Slinger ^{3,4}	1.45	1.62
3	C203-193P	Seal Plate Kit ^{1,2}	129.30	144.82
4	U9-228A	O-Ring	7.54	8.44
5	17304-0100S	Shaft Seal	10.05	11.26
6	WC36-22	Clamp Knob	10.23	11.46
6A	C19-37A	Clamp	80.55	90.22
7	See Table	Impeller	CALL	CALL
7A	C30-12	Impeller Screw - ½ thru 2½ HP	5.98	6.70
8	C1-217P	Diffuser - ½ HP (Up-Rate)	22.44	25.13
8	C1-216P	Diffuser - ¾ HP* (Up-Rate)	22.71	25.44
8	C1-200PA	Diffuser - 1 thru 2½ HP (Up-Rate)	24.12	27.01
9	U30-542SS	Capscrew, 8-32 x 7/8"	1.74	1.95
10	U43-21SS	Washer, #8 Lock	1.45	1.62
11	U9-226	Diffuser O-Ring	1.74	1.95
12	C176-47PI	Tank Body	102.96	115.32
13	U178-920P	Drain Plug ¼" NPT with O-Ring	2.57	2.88
13A	U9-359	Drain Plug O-Ring	CALL	CALL
14	C104-42P	Base with Motor Pad	34.20	38.30
14	J104-9C	Base, Metal (Model P2RAXF-182LS Only)	33.73	37.78
15	C35-11	Motor Pad	2.49	2.79
16	U43-42SS	Washer, Flat	1.70	1.90
17	U30-74SS	Capscrew, ¾ -16 x 1"	3.39	3.80
18	U30-77SS	Capscrew, ¾ -16 x 1¾"	4.55	5.10
NOT SHOWN				
	C78-7P	Reducer 2" x 1½"	15.06	16.87

Note: P2RA5 and PEA5 models include 5" trap, PKG. 115.

Note: P2RA6 and PEA6 models include 6" trap, PKG. 161.

Note: P2RAX model does not include a trap.

¹ Includes Seal Plate, Shaft Seal and Seal Plate O-Ring.

² New Seal Plate design. See insert drawing on opposite page for models with Copper Insert, see Figure 3A.

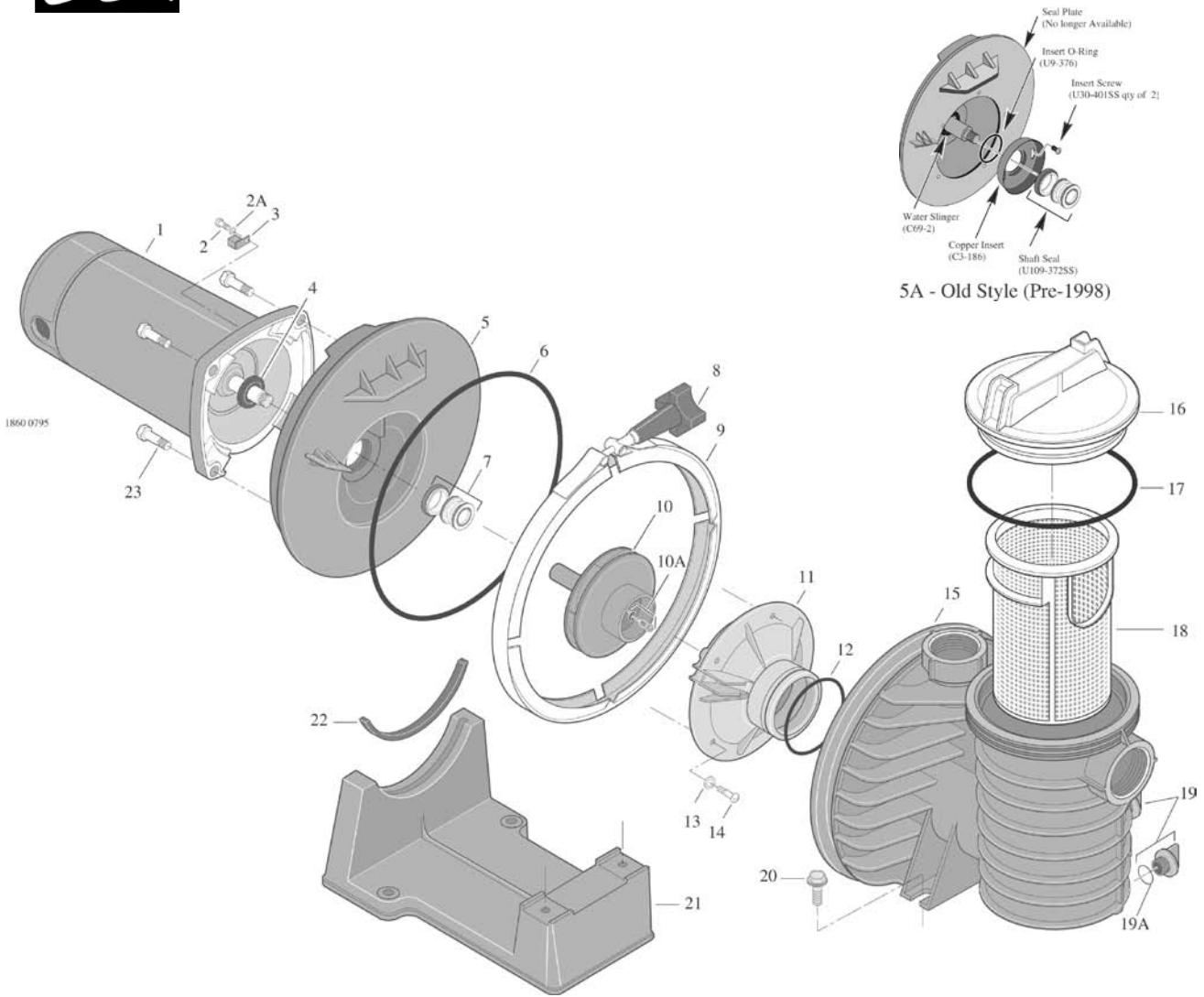
³ Replaces C69-2 (effective 9/00).

⁴ P2RA5YE and P2RA5YF use C69-2.

⁵ Requires one Impeller Screw, Part No. C30-12.

Max-E-Glas® II / Dura-Glas® II Series

"Up-Rate" Models - Replacement Parts



POINT-OF-SALE, STOCK ROOM, SERVICE VEHICLE

Attractive, clamshell packaging contains recommended parts for seal/gasket servicing or complete overhaul of most swimming pool/spa pumps. Eliminate the need for large parts inventories, protect parts from damage, and reduce paperwork.

SEAL/GASKET KITS - Include Shaft Seal, Gaskets, and O-Rings

Pump Series	Parts Pak #
P4E, P4EA, P4R, P4RA (Models with copper insert pre 1998)	PP4000
P4E, P4EA, P4R, P4RA (Models without copper insert 1998)	PP4200

OVERHAUL KITS - Include Impeller, Shaft Seals, Gaskets, O-Rings, Diffuser, Diffuser Screws and other appropriate hardware.

Pump Series	HP	Parts Pak #
P4EA, P4RA	1	PP4010
P4EA, P4RA	1-½	PP4011
P4EA, P4RA	2	PP4012
P4EA, P4RA	2-½	PP4013

Max-E-Glas® II / Dura-Glas® II Series (Cont'd)

"Up-Rate" Models - Replacement Parts



Parts are common to all models except as noted:
Part Nos. 1, Motor; Pump Models without Copper Insert;
and 10, Impeller, are listed below.

Model No.	Pumps with Copper Insert	HP	Motor No. (Key No. 1)	Impeller No. (Key No. 10)
MAX-E-GLAS II				
115/230 Volt				
P4EA6E-186L	(-150L)	1	AE100ELL	C105-238P
P4EA6F-187L	(-151L)	1½	AE100FLL	C105-238PB
230 Volt				
P4EAA6F-198L	(-177L)	1¾	AE100F5LL	C105-238PDCA
P4EA6G-188L ⁵	(-152L)	2	AE100GLL	C105-238PDBA
P4EAA6G-189L ⁵	(-153L)	2½	AE100G5LL	C105-238PEBA
DURA-GLAS II				
115/230 Volt				
P4RA6E-186L		1	A100ELL	C105-238P
P4RA6F-187L	(-151L)	1½	A100FLL	C105-238PB
230 Volt				
P4EAA6F-198L	(-177L)	1¾	AE100F5LL	C105-238PDCA
P4RA6G-188L ⁵	(-152L)	2	A100GLL	C105-238PDBA
P4RAA6G-189L ⁵	(-153L)	2½	AE100G5LL	C105-238PEBA
230 Volt - 2 Speed				
P4RA6YF-187L ⁵	(-151L)	1½	A100FLL-Y	C105-238PBA
P4RA6YG-188L ⁵	(-152L)	2	AE100GLL-Y	C105-238PDBA

Item No.	Part No.	Description	US List	Can. List
MAX-E-GLAS II / DURA-GLAS II SERIES REPLACEMENT PARTS				
1	See Table	Motor	CALL	CALL
2	U30-692SS	Screw, 10-32 x 1/2"	CALL	CALL
2A	U43-22SS	Lockwasher	1.48	1.66
3	U17-568	Bonding Lug	8.41	9.42
4	17351-0009	Water Slinger ⁴	1.45	1.62
5	C203-194P	Seal Plate Kit ^{1,3}	129.30	144.82
6	U9-228A	O-Ring	7.54	8.44
7	37400-0027S	Shaft Seal, Buna ²	22.35	25.03
7	37400-0028S	Shaft Seal, Viton	29.97	33.57
8	WC36-22	Clamp Knob	10.23	11.46
9	C19-37A	Clamp	80.55	90.22
10	See Table	Impeller	CALL	CALL
10A	37337-608I	Impeller Screw (Model C105-238PBA)	17.37	19.45
10A	37337-6080	Impeller Screw (All models except C105-238PBA)	14.88	16.67
11	C1-271PI	Diffuser - 1 HP & 1½ HP	24.67	27.63
11	C1-271P	Diffuser - 1¾ thru 2½ HP	23.82	26.68
12	U9-374	Diffuser O-Ring	4.50	5.04
13	U43-21SS	Lockwasher, #8	1.45	1.62
14	U30-542SS	Diffuser Screw, ¾ HP & 1 HP	1.74	1.95
14	U30-922SS	Diffuser Screw, 1½, thru 3 HP	0.84	0.94
15	C176-59P	Tank Body Assembly (includes Trap Cover, O-Ring, Basket)	217.63	243.75
16	C3-185P	Trap Cover	47.52	53.22
16	C3-185P3	Trap Cover - (Biguanide Resistant)	63.18	70.76
17	U9-375	Trap Cover O-Ring	12.88	14.43
18	C8-58P	Basket	10.65	11.93
19	U178-920P	Drain Plug ¼" NPT with O-Ring	2.57	2.88
19A	U9-359	Drain Plug O-Ring	CALL	CALL
20	U30-918SS	Screw, Base	3.93	4.40
21	C4-78P	Base without Motor Pad	35.05	39.26
21	C104-79P	Base with Motor Pad (3 HP only)	35.87	40.17
22	C35-43	Motor Pad	4.20	4.70
23	U30-74SS	Capscrew, ¾-16 x 1"	3.39	3.80
23	U30-99SS	Capscrew, Socket Head, ¾-16 x 1" (3 HP only)	6.76	7.57
NOT SHOWN				
	35505-1426	Impeller O-Ring	0.84	0.94

¹ Includes Seal Plate, Shaft Seal and Seal Plate O-Ring.

² Replaces U109-358SS (effective 6/00).

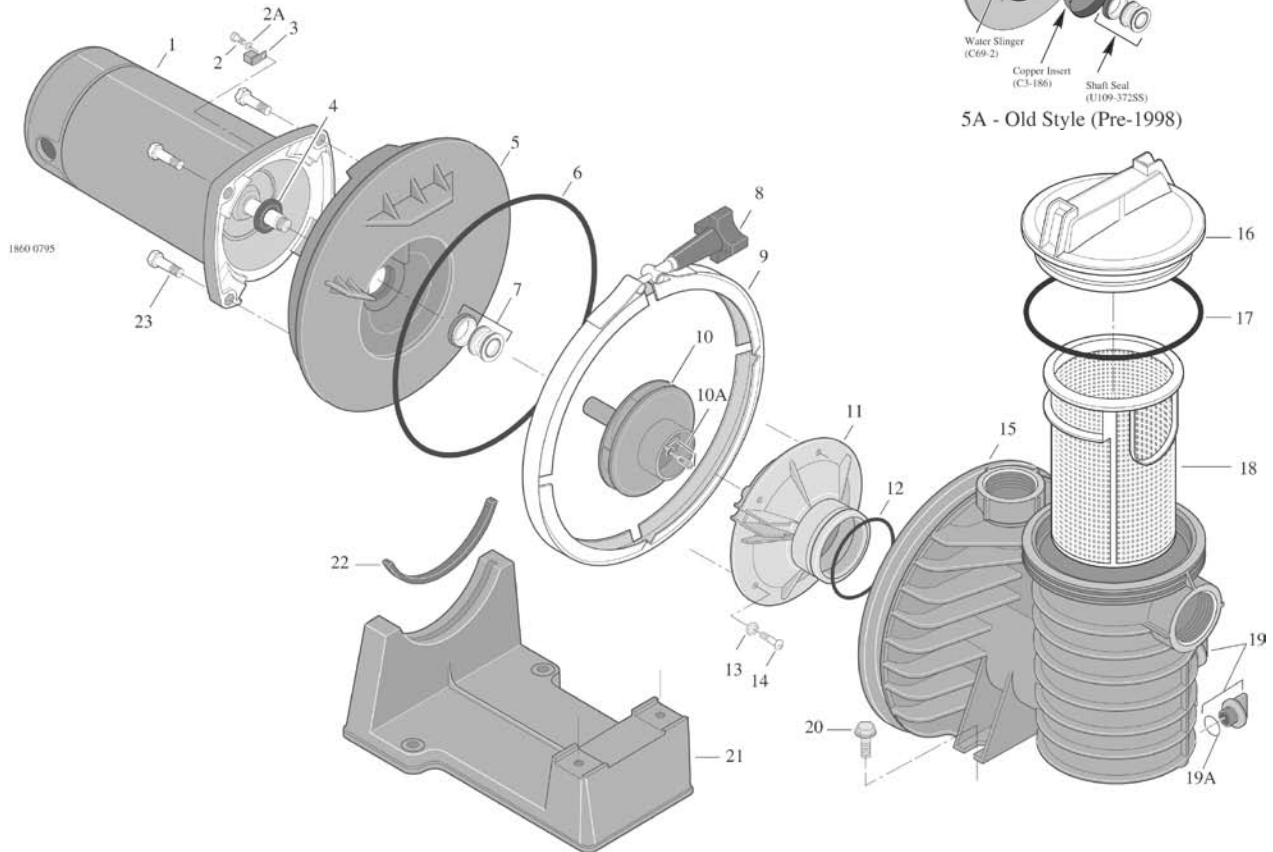
³ New Seal Plate design. See inset drawing on opposite page for models with Copper Insert, see Figure 5A.

⁴ Replaces C69-2 (effective 9/00).

⁵ Requires one Impeller Screw.

Max-E-Glas® II / Dura-Glas® II Series

"Full Rate" Models - Replacement Parts



POINT-OF-SALE, STOCK ROOM, SERVICE VEHICLE

Attractive, clamshell packaging contains recommended parts for seal/gasket servicing or complete overhaul of most swimming pool/spa pumps. Eliminate the need for large parts inventories, protect parts from damage, and reduce paperwork.

SEAL/GASKET KITS - Include Shaft Seal, Gaskets, and O-Rings

Pump Series	Parts Pak #
P4E, P4EA, P4R, P4RA (Models with copper insert pre 1998)	PP4000
P4E, P4EA, P4R, P4RA (Models without copper insert 1998)	PP4200

OVERHAUL KITS - Include Impeller, Shaft Seals, Gaskets, O-Rings, Diffuser, Diffuser Screws and other appropriate hardware.

Pump Series	HP	Parts Pak #
P4E, P4R	¾	PP4010
P4E, P4R	1	PP4011
P4E, P4R	1-½	PP4012
P4E, P4R	2	PP4013
P4E, P4R	3	PP4014

Max-E-Glas® II / Dura-Glas® II Series (Cont'd)

"Full Rate" Models - Replacement Parts



Parts are common to all models except as noted:
Part Nos. 1, Motor; and 10, Impeller, are listed below.

Model No.	Pumps with Copper Insert	HP	Motor No. (Key No. 1)	Impeller No. (Key No. 10)
MAX-E-GLAS II				
115/230 Volt				
P4E6D-186L	(-150L)	3/4	AE100DHL	C105-238P
P4E6E-187L	(-151L)	1	AE100EHL	C105-238PB
230 Volt				
P4E6F-188L ⁵	(-152L)	1 1/2	AE100FHL	C105-238PDBA
P4E6G-189L ⁵	(-153L)	2	AE100GHL	C105-238PEBA
P4E6H-190L ⁵	(-154L)	3	AE100HHL	C105-238PLA
200 Volt				
P4E62D-186L	(-150L)	3/4	AE100DH2	C105-238P
P4E62E-187L	(-151L)	1	AE100EH2	C105-238PB
P4E62F-188L ⁵	(-152L)	1 1/2	AE100FH2	C105-238PDBA
P4E62G-189L ⁵	(-153L)	2	AE100GH2	C105-238PEBA
P4E62H-190L ⁵	(-154L)	3	AE100HL2	C105-238PLA
DURA-GLAS II				
115/230 Volt				
P4R6E-187L	(-151L)	1	A100EHL	C105-238PB
230 Volt				
P4R6F-188L ⁵	(-152L)	1 1/2	A100FHL	C105-238PDBA
P4R6G-189L		2	AE100GHL	C105-238PEBA
200/400 Volt - 3 Phase				
P4R62D3-186L ⁵	(-150)	3/4	API00DH2	C105-238PA
P4R62E3-187 ⁵	(-151)	1	API00EH2	C105-238PBA
P4R62F3-188 ⁵	(-152)	1 1/2	API00FH2	C105-238PDBA
P4R62G3-189 ⁵	(-153)	2	API00GH2	C105-238PEBA
208-230/460 Volt - 3 Phase				
P4R6D3-186 ⁵	(-150)	3/4	API00DH	C105-238PA
P4R6E3-187 ⁵	(-151)	1	API00EH	C105-238PBA
P4R6F3-188 ⁵	(-152)	1 1/2	API00FH	C105-238PDBA
P4R6G3-189 ⁵	(-153)	2	API00GH	C105-238PEBA
200/230/460 Volt - 3 Phase				
P4R6H3-190 ⁵	(-154)	3	API00HL	C105-238PLA

Item No.	Part No.	Description	US List	Can. List
MAX-E-GLAS II / DURA-GLAS II SERIES REPLACEMENT PARTS				
1	See Table	Motor	CALL	CALL
2	U30-692SS	Screw, 10-32 x 1/2"	CALL	CALL
2A	U43-22SS	Lockwasher	1.48	1.66
3	U17-568	Bonding Lug	8.41	9.42
4	17351-0009	Water Slinger ⁴	1.45	1.62
5	C203-194P	Seal Plate Kit ^{1,3}	129.30	144.82
6	U9-228A	O-Ring	7.54	8.44
7	37400-0027S	Shaft Seal, Buna ²	22.35	25.03
7	37400-0028S	Shaft Seal, Viton	29.97	33.57
8	WC36-22	Clamp Knob	10.23	11.46
9	C19-37A	Clamp	80.55	90.22
10	See Table	Impeller	CALL	CALL
10A	37337-6081	Impeller Screw (Model C105-238PBA)	17.37	19.45
10A	37337-6080	Impeller Screw (All models except C105-238PBA)	14.88	16.67
11	C1-271PI	Diffuser - 1 HP & 1 1/2 HP	24.67	27.63
11	C1-271P	Diffuser - 1 3/4 thru 2 1/2 HP	23.82	26.68
12	U9-374	Diffuser O-Ring	4.50	5.04
13	U43-21SS	Lockwasher, #8	1.45	1.62
14	U30-542SS	Diffuser Screw, 3/4 HP & 1 HP	1.74	1.95
14	U30-922SS	Diffuser Screw, 1 1/2, thru 3 HP	0.84	0.94
15	C176-59P	Tank Body Assembly (includes Trap Cover, O-Ring, Basket)	217.63	243.75
16	C3-185P	Trap Cover	47.52	53.22
16	C3-185P3	Trap Cover - (Biguanide Resistant)	63.18	70.76
17	U9-375	Trap Cover O-Ring	12.88	14.43
18	C8-58P	Basket	10.65	11.93
19	U178-920P	Drain Plug 1/4" NPT with O-Ring	2.57	2.88
19A	U9-359	Drain Plug O-Ring	CALL	CALL
20	U30-918SS	Screw, Base	3.93	4.40
21	C4-78P	Base without Motor Pad	35.05	39.26
21	C104-79P	Base with Motor Pad (3 HP only)	35.87	40.17
22	C35-43	Motor Pad	4.20	4.70
23	U30-74SS	Capscrew, 3/8-16 x 1"	3.39	3.80
23	U30-99SS	Capscrew, Socket Head, 3/8-16 x 1" (3 HP only)	6.76	7.57
NOT SHOWN				
	35505-1426	Impeller O-Ring	0.84	0.94

¹ Includes Seal Plate, Shaft Seal and Seal Plate O-Ring.

² Replaces U109-358SS (effective 6/00).

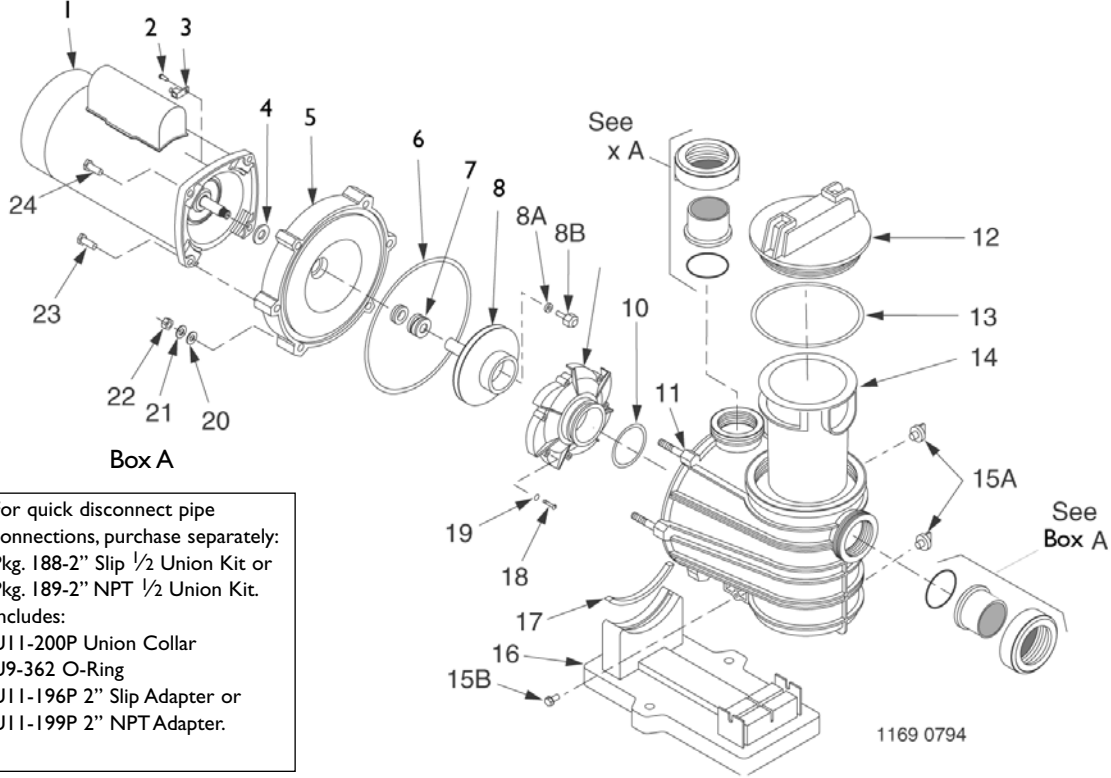
³ New Seal Plate design. See inset drawing on opposite page for models with Copper Insert, see Figure 5A.

⁴ Replaces C69-2 (effective 9/00).

⁵ Requires one Impeller Screw. See Repair Parts list.

Dyna-Glas® / Dyna-Max™ Series

Replacement Parts



For quick disconnect pipe connections, purchase separately:
 Pkg. 188-2" Slip 1/2 Union Kit or
 Pkg. 189-2" NPT 1/2 Union Kit.
 Includes:
 U11-200P Union Collar
 U9-362 O-Ring
 U11-196P 2" Slip Adapter or
 U11-199P 2" NPT Adapter.

1169 0794

POINT-OF-SALE, STOCK ROOM, SERVICE VEHICLE

Attractive, clamshell packaging contains recommended parts for seal/gasket servicing or complete overhaul of most swimming pool/spa pumps. Eliminate the need for large parts inventories, protect parts from damage, and reduce paperwork.

SEAL/GASKET KITS - Include Shaft Seal, Gaskets, and O-Rings

Pump Series Parts Pak #
 MPRA, MPEA PP3000

OVERHAUL KITS - Include Impeller, Shaft Seals, Gaskets, O-Rings, Diffuser, Diffuser
 Screws and other appropriate hardware.

Pump Series	HP	Parts Pak #
MPRA, MPEA	3/4	PP3010
MPRA, MPEA	1	PP3011
MPRA, MPEA	1-1/2	PP3012
MPRA, MPEA	2	PP3013

Motor Chart

Model No.	HP	Motor (Key No I)
Single Speed 115/230/60/1		
MPRA6D-146L	3/4	A100DLL
MPRA6E-147L	1	A100ELL
MPRA6F-148L	1 1/2	A100FLL
MPEA6D-146L	3/4	AE100DLL
MPEA6E-147L	1	AE100ELL
MPEA6F-148L	1 1/2	AE100FLL
MPFA6D-176L	3/4	A100DLL
MPFA6E-146L	1	A100ELL
MPFA6F-147L	1 1/2	A100FLL
230/60/1		
MPRA6G-155L	2	A100GLL
MPEA6G-155L	2	AE100GLL
MPEAA6G-168L	2 1/2	AE100G5LL
Two Speed 230/60/1		
MPRA6YF-174L	1 1/2	A100FLL-Y
MPRA6YF-174LS	1 1/2	A100FLL-Y
MPEA6YG-175L	2	AE100GLL-Y
MPEA6YG-175LS	2	AE100GLL-Y
MPEAA6YG-168L	2 1/2	AE100G5LL-Y
MPEAA6YG-168LS	2 1/2	AE100G5LL-Y

Dyna-Glas® / Dyna-Max™ Series (Cont'd)

Replacement Parts



Item No.	Part No.	Description	US List	Can. List
DYNA-GLAS / DYNA-MAX REPLACEMENT PARTS				
1	Chart	Motor	CALL	CALL
2	U30-692SS	Screw #10-32x1/2"	CALL	CALL
3	U17-568	Bonding Lug	8.41	9.42
4	17351-0009	Slinger	1.45	1.62
5	C3-184P	Seal Plate	90.73	101.62
6	U9-373	Seal Plate Cord Ring	7.31	8.19
7	37400-0027S	Shaft Seal ²	22.35	25.03
8	C105-236P	Impeller, 3/4 HP - Models MPFA6D-176L, MPEA6E-146L, MPRA6D-146L, MPRA6D-146LC	36.63	41.03
8	C105-236PB	Impeller, 1 HP - Models MPEA6F-148L, MPEA6E-147L, MPFA6E-146L, MPRA6E-147L, MPRA6E-147LC	36.63	41.03
8	C105-236PC	Impeller, 1-1/2 HP - Models MPFA6F-147L, MPRA6F-148L, MPRA6F-148LC, MPRA6YF-174L, MPRA6YF-174LS	36.63	41.03
8	C105-236PDA	Impeller, 2 HP - Models MPEA6G-155L, MPRA6G-155L, MPR6AG-155LC, MPEA6YG-175L, MPEA6YG-175LS	36.63	41.03
8	C105-236PEA	Impeller, 2-1/2 HP - Models MPEAA6G-168L, MPEAA6YG-168L, MPEAA6YG-168LS	36.63	41.03
8	C105-236PF	Impeller, 1-1/2 HP (MPRA6Y, MPEA6Y and MPEAA6Y only)	36.63	41.03
8	C105-236PGAB	Impeller, 2 HP (MPRA6Y, MPEA6Y and MPEAA6Y only)	36.63	41.03
8	C105-236PEA	Impeller, 2-1/2 HP (MPRA6Y, MPEA6Y and MPEAA6Y only)	36.63	41.03
8	C105-236PJ	Impeller, 3/4 HP (MPFA6D, MPFA6E, MPFA6F only)	36.63	41.03
8	C105-236P	Impeller, 1 HP (MPFA6D, MPFA6E, MPFA6F only)	36.63	41.03
8	C105-236PB	Impeller, 1 HP (MPFA6D, MPFA6E, MPFA6F only)	36.63	41.03
8A	33455-1047	Gasket - 2 HP, 2-1/2 HP	5.35	5.99
8B	37337-6080	Impeller Lock Screw	14.88	16.67
9	C1-270P	Diffuser - 1-1/2 HP, 2 HP, 2-1/2 HP	22.71	25.44
9	C1-270PB	Diffuser - 3/4 HP, 1 HP (MPFA6D, MPFA6E, MPFA6F only)	22.71	25.44

Item No.	Part No.	Description	US List	Can. List
9	C1-270PC	Diffuser - 1-1/2 HP (MPFA6D, MPFA6E, MPFA6F only)	22.71	25.44
10	U9-374	Diffuser O-Ring	4.50	5.04
11	C76-58P	Tank and Trap Body (Only)	189.02	211.70
12	C3-185P	Trap Cover	47.52	53.22
12A	C3-185P3	Trap Cover (Biquanide Resistant)	63.18	70.76
13	U9-375	Trap Cover O-Ring	12.88	14.43
14	C8-58P	Trap Basket	10.65	11.93
15A	U78-920P	Drain Plug without O-ring	1.53	1.71
15B	U30-919SS	Mounting Screw 5/16 - 14 x 3/8"	3.37	3.77
16	C4-77P	Base - Plastic	38.37	42.97
17	C35-45	Motor Pad - for Plastic Base	3.48	3.90
17	C35-5	Motor Pad - for Steel Base (LS Suffix)	19.44	21.77
18	U30-542SS	Screw #8 - 32 x 7/8" Rd. Hd.	1.74	1.95
19	U43-21SS	Lock Washer #8 Ext. Tooth	1.45	1.62
20	U43-62SS	Flat Washer 3/8"	1.45	1.62
21	U43-12SS	Lock Washer 3/8"	2.27	2.54
22	U36-38SS	Nut 3/8 - 16 Hex	2.14	2.40
23	U30-75SS	Cap Screws 3/8 x 16 x 1 3/4" Hex. (LS Suffix)	2.22	2.49
24	U30-74SS	Cap Screws 3/8 x 16 x 1" Hex ¹	3.39	3.80

NOT SHOWN

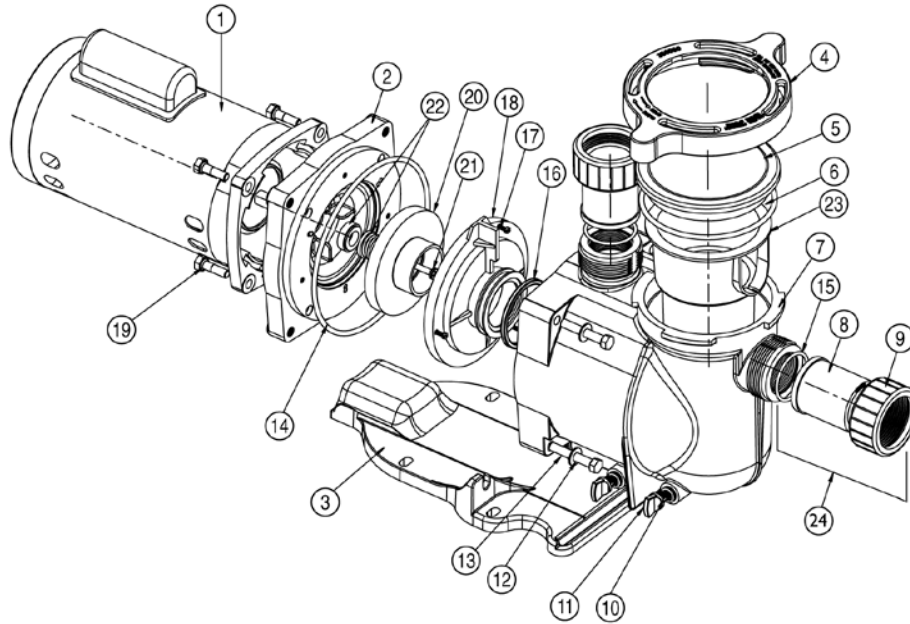
U43-12SS	Lock Washer 3/8" (LS Suffix)	2.27	2.54
U9-359	Drain Plug O-Ring	CALL	CALL
17303-0113	Base - Steel (LS Suffix)	36.16	40.50
U27-153	Voltage Sticker	0.72	0.81
C63-12	Tag: "WARNING/CAUTION/Instructions..."	3.87	4.33

¹ Models with "LS" suffix use 2 only.

² Replaces U109-358SS (effective 6/00).

SuperMax[®] Pump

Replacement Parts



Item No.	Part No.	Description	US List	Can. List
SINGLE SPEED MOTORS				
1	355371S	1/2 hp Motor, SQFL, 1 sp, 1 ph, 60 hz, 230/115V, Black	CALL	CALL
1	355371S	3/4 hp Motor, SQFL, 1 sp, 1 ph, 60 hz, 230/115V, Black	CALL	CALL
1	355339S	1 hp Motor, SQFL, 1 sp, 1 ph, 60 hz, 230/115V, Black	CALL	CALL
1	355340S	1-1/2 hp Motor, SQFL, 1 sp, 1 ph, 60 hz, 230/115V, Black	CALL	CALL
1	355342S	2 hp Motor, SQFL, 1 sp, 1 ph, 60 hz, 230/115V, Black	CALL	CALL
1	355702S	2-1/2 hp Motor, SQFL, 1 sp, 1 ph, 60 hz, 230V, Black	CALL	CALL
2 SPEED MOTORS				
1	355232S	1 hp Motor, SQFL, 2 sp, 1 ph, 60 hz, 230V, Black	CALL	CALL
1	355376S	1-1/2 hp Motor, SQFL, 2 sp, 1 ph, 60 hz, 230V, Black	CALL	CALL
1	355377S	2 hp Motor, SQFL, 2 sp, 1 ph, 60 hz, 230V, Black	CALL	CALL
SUPERMAX HIGH PRESSURE PUMPS				
2	355612	Seal Plate, Black	67.39	75.48
3	351094	Base, Black	74.46	83.40
4	351090	Clamp, Ramp & Cam, Black	31.32	35.08
5	350091	Lid	25.12	28.13
6	357255	O-ring, Lid #2-357	4.27	4.78
7	351089	Volute, Black	211.63	237.03
8	350093	Adapter, 2 req.	14.06	15.75
9	270141	Nut, 2 req.	15.08	16.89
10	192115	O-Ring Drain Plug, 2 req.	0.97	1.09
11	357161	Drain Plug, 2 req.	3.10	3.47
12	355621	Scew 3/4-16 x 2 1/4 HEX HD, 4 req.	3.86	4.32
13	072184	Washer 3/8 in. S/S, 4 req.	1.21	1.36
14	355619	O-Ring Seal Bracket	8.36	9.36
15	350099	O-Ring Adapter #2-226, 2 req.	0.25	0.28
16	355030	Seal Diffuser	7.24	8.11
17	355334	Screw #8-32 HEX Washer HD, 3 req.	1.21	1.36

Item No.	Part No.	Description	US List	Can. List
DIFFUSERS				
18	355617	Diffuser, 1/2 HP	74.24	83.15
18	355617	Diffuser, 3/4 HP	74.24	83.15
18	355617	Diffuser, 1 HP	74.24	83.15
18	355618	Diffuser, 1-1/2 HP	74.24	83.15
18	355618	Diffuser, 2 HP	74.24	83.15
18	350170	Diffuser, 2-1/2 HP	73.13	81.91
19	354290	Hex head screw, 3/8, 16, 4 req.	2.05	2.30
IMPELLERS				
20	355043	Impeller 1/2 HP	42.09	47.14
20	355043	Impeller 3/4 HP	42.09	47.14
20	355067	Impeller 1 HP	42.93	48.08
20	355074	Impeller 1-1/2 HP	43.45	48.66
20	355086	Impeller 2 HP	43.74	48.99
20	355093	Impeller 2-1/2 HP	44.54	49.88
20	355067	Impeller 1 HP, 2-SPD	42.93	48.08
20	355074	Impeller 1-1/2 HP, 2-SPD	43.45	48.66
20	355086	Impeller 2 HP, 2-SPD	43.74	48.99
21	355389	Screw, Impeller Locking	1.21	1.36
22	354545S	Seal Set	22.14	24.80
23	355667	Basket, Large	17.33	19.41
24	351157	SuperMax Union Kit (includes 2 of Items 8, 9, & 15)	65.44	73.29

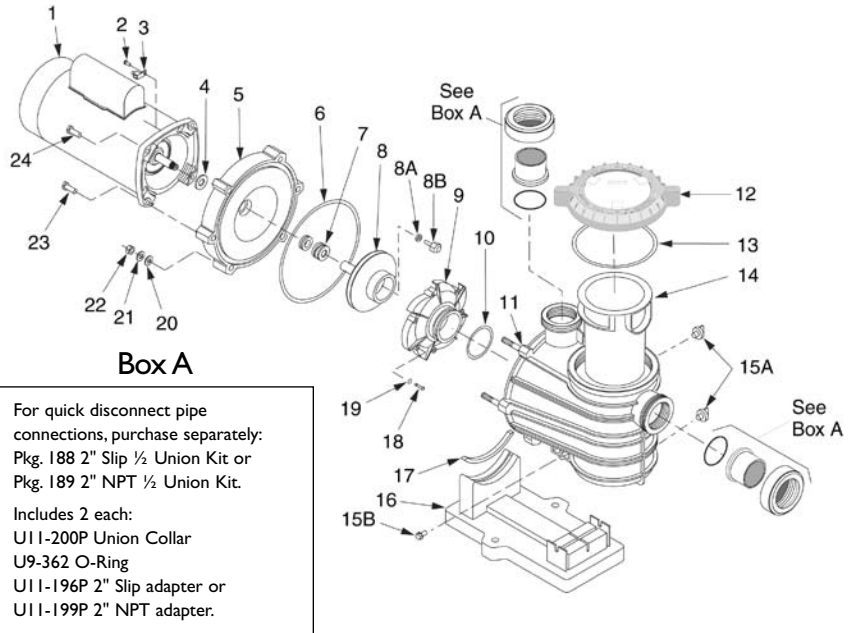
Product on pages 170-171

Dyna-Pro® / Dyna-Pro® E Pumps

1/2 through 2-1/2 HP Models, Single Speed and Two Speed Replacement Parts



Model No.	HP	Motor No. (Part No. 1)
Single Speed 115/230/60/1		
MPRA6D-204L	3/4	A100DLL
MPRA6E-205L	1	A100ELL
MPRA6F-206L	1 1/2	A100FLL
MPEA6D-204L	3/4	AE100DLL
MPEA6E-205L	1	AE100ELL
MPEA6F-206L	1 1/2	AE100FLL
MPE6C-204L	1/2	AE100CHL
MPE6D-205L	3/4	AE100DHL
MPE6E-206L	1	AE100EHL
230/60/1		
MPRA6G-207L	2	A100GLL
MPEA6G-207L	2	AE100GLL
MPEAA6G-208L	2 1/2	AE100G5LL
MPE6F-207L	1 1/2	AE100FHL
MPE6G-208L	2	AE100G5HL
2-Speed 230/60/1		
MPRA6YF-206L	1 1/2	A100FLL-Y
MPEA6YG-207L	2	AE100GLL-Y
MPEAA6YG-208L	2 1/2	AE100G5LL-Y
MPE6YF-207L	1 1/2	AE100FLL-Y
MPE6YG-208L	2	AE100G5LL-Y

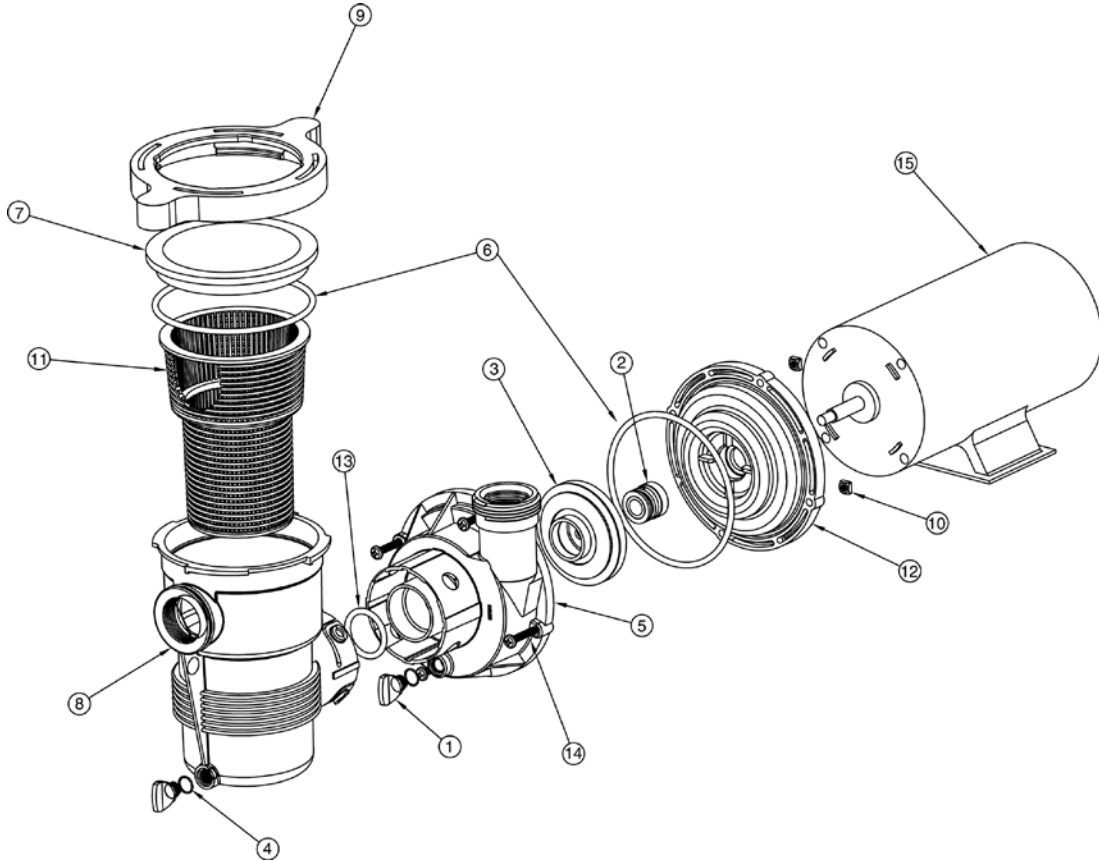


Item No.	Part No.	Description	US List	Can. List	Item No.	Part No.	Description	US List	Can. List
DYNA-PRO REPLACEMENT PARTS									
2	U30-692SS	Screw #10-32x1/2"	CALL	CALL	9	C1-270P	Diffuser - 1/2 HP	22.71	25.44
3	U17-568	Bonding Lug	8.41	9.42	10	U9-374	Diffuser O-Ring	4.50	5.04
4	17351-0009	Slinger	1.45	1.62	11	C76-71P	Tank and Trap Body (Only)	CALL	CALL
5	C3-184P9	Seal Plate	CALL	CALL	12	C3-185P	Trap Cover	47.52	53.22
6	U9-373	Seal Plate Cord Ring	7.31	8.19	12	17307-0111	Trap Lid and Ring Assembly	CALL	CALL
7	37400-0027S	Shaft Seal	22.35	25.03	13	35505-1440	Trap Cover O-Ring	14.34	16.06
8	C105-236P	Impeller, 1/2 HP - Models MPEA6D-204L, MPE6C-204L, MPRA6D-204L	36.63	41.03	14	C8-58P	Trap Basket	10.65	11.93
8	C105-236PB	Impeller, 1 HP - Models MPEA6E-205L, MPE6D-205L, MPRA6E-205L, MPRA6E-147L, MPRA6E-147LC	36.63	41.03	15A	U178-920P	Drain Plug	2.57	2.88
8	C105-236PC	Impeller, 1-1/2 HP - Models MPEA6F-206L, MPE6E-206L, MPRA6F-206L, MPRA6YF-206L	36.63	41.03	15B	U30-919SS	Mounting Screw 5/16-14x5/8"	3.37	3.77
8	C105-236PDA	Impeller, 2 HP - Models MPEA6G-207L, MPE6F-207L, MPEA6YG-207L, MPE6YF-207L, MPRA6G-207	36.63	41.03	16	C4-77P	Base - Plastic	38.37	42.97
8	C105-236PEA	Impeller, 2-1/2 HP - Models MPEAA6G-208L, MPA6G-208L, MPEAA6YG-208L, MPE6G-208L	36.63	41.03	17	C35-45	Motor Pad - for Plastic Base	3.48	3.90
8A	33455-1047	Gasket, Models MPEA6G-207L, MPE6F-207L, MPEA6YG-207L, MPE6YF-207L, MPRA6G-207	5.35	5.99	18	U30-542SS	Screw #8-32x7/8" Rd. Hd.	1.74	1.95
8A	33455-1047	Gasket, Models MPEAA6G-208L, MPA6G-208L, MPEAA6YG-208L, MPE6G-208L	5.35	5.99	19	U43-21SS	Lock Washer #8 Ext. Tooth.	1.45	1.62
8B	37337-6080	Impeller Lock Screw, Models MPEA6G-207L, MPE6F-207L, MPEA6YG-207L, MPE6YF-207L, MPRA6G-207	14.88	16.67	20	U43-62SS	Flat Washer 3/8"	1.45	1.62
8B	37337-6080	Impeller, Models MPEAA6G-208L, MPA6G-208L, MPEAA6YG-208L, MPE6G-208L	14.88	16.67	21	U43-12SS	Lock Washer 3/8"	2.27	2.54
9	C1-270PB	Diffuser - 1/2 HP	22.71	25.44	22	U36-38SSW	Nut 3/8-16 Hex	1.21	1.36
9	C1-270PC	Diffuser - 1 HP	22.71	25.44	23	U30-75SS	Cap Screws 3/8-16x1-1/4" Hex. (LS Suffix)	2.22	2.49
9	C1-270P	Diffuser - 1-1/2 HP	22.71	25.44	24	U30-74SS	Cap Screws 3/8-16x1" Hex.	3.39	3.80
9	C1-270P	Diffuser - 2 HP	22.71	25.44	NOT SHOWN				
					32155-4071	Nameplate	CALL	CALL	
					61002-0012	Tag, "CAUTION This pump equipped with mechanical shaft seal..."	CALL	CALL	
					U27-153	Voltage Sticker	0.72	0.81	
					C63-12	Tag, "WARNING/CAUTION/Instructions..."	3.87	4.33	

Product on pages 172-173

OptiFlo® Pump

Replacement Parts for Swimming Pool Pumps

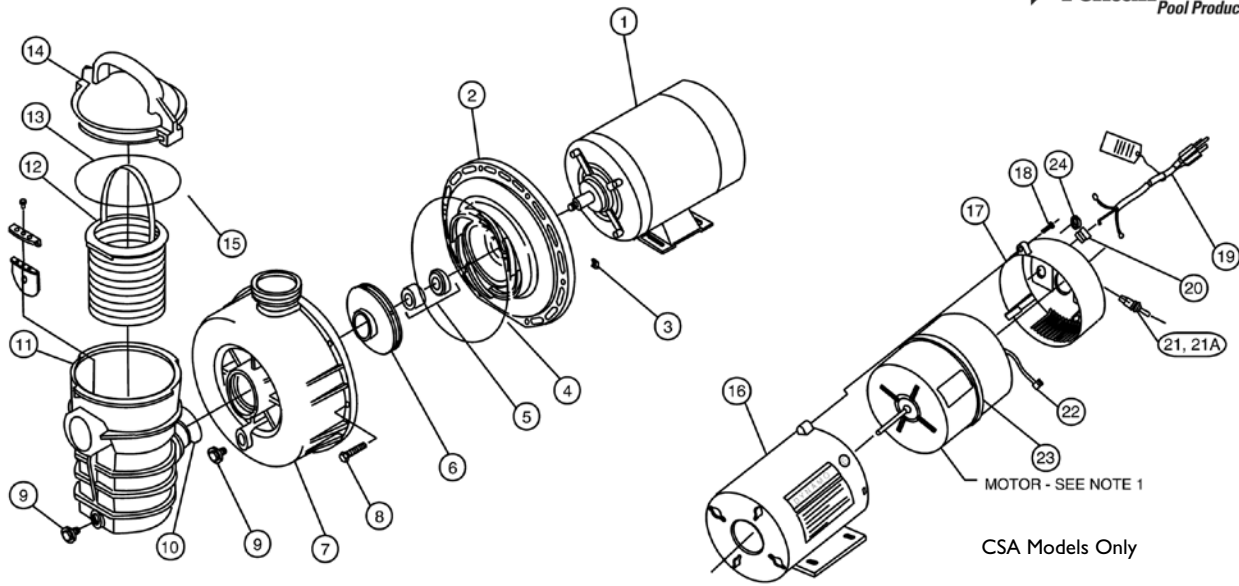


Item No.	Part No.	Description	US List	Can. List
OPTIFLO PUMPS				
1	357161	Drain plug	3.10	3.47
2	354545S	Mechanical seal	22.14	24.80
3	350017	Impeller, 1 HP	46.70	52.30
3	354552	Impeller, 3/4 HP	22.79	25.52
3	350018	Impeller, 1-1/2 HP	50.97	57.09
4	192115	O-ring	0.97	1.09
5	357213	Volute	21.28	23.83
6	357255	O-ring 2-357	4.27	4.78
7	357227	Lid	9.23	10.34
8	357228	Pot	19.04	21.32
9	357239	Clamp ring	11.18	12.52
10	357254	1/4-20 Square nut	1.09	1.22
11	355667	Basket	17.33	19.41
12	357215	Seal plate	26.41	29.58
13	350103	O-ring 2-130	4.27	4.78
14	98209000	1/4-20 x 1.5 Machine screw	1.58	1.77
NOT SHOWN				
	79137800	3 ft. cord - standard	49.76	55.73
	155234	3 ft. cord - TW	62.67	70.19

Product on pages 176-177

Dynamo® Pump

Replacement Parts for Swimming Pool Pumps



Item No.	Part No.	Description	US List	Can. List
DYNAMO PUMPS				
MOTORS				
1	356495S	1 HP, 1-1/2 spl, 48 frame Thru-Bolt 115 only	CALL	CALL
1	356469S	1-1/2 HP, 2 spl, 48 frame Thru-Bolt 115/230 ¹	CALL	CALL
1	356551S	1 HP, 1-1/2 spl, 2 sp., 48 frame Thru-Bolt 115 only, 23 Lbs.	CALL	CALL
1	356497S	3/4 HP, 1 spl, 48 frame Thru-Bolt 115 only	CALL	CALL
1	356436	3/4 HP, 48 frame Thru-Bolt 115 only CSA Poolside Pump ²	CALL	CALL
1	356437S	1 HP, 48 frame Thru-Bolt	CALL	CALL
1	356597S	3/4 HP, 1 spl, 48 frame Thru-Bolt 115, w/on-off switch	CALL	CALL
1	356595S	1HP, 1-1/2 spl, 48 frame	CALL	CALL
1	356440S	1-1/2 HP, 48 frame Thru-Bolt 115/230, 23 Lbs. ²	CALL	CALL
2	354632	Diffuser, 3/4 HP bracket	82.80	92.74
2	354633	Diffuser, 1, 1-1/2 HP bracket	82.80	92.74
3	354542	Nut, 10-24 SS, 6 req.	1.21	1.36
4	354634	O-ring, 3/16 in. bracket diffuser	6.23	6.98
5	354545S	Seal, 5/8 in. mechanical	22.14	24.80
6	353002	Impeller, 1/2 HP	28.03	31.39
6	354552	Impeller, 3/4 HP	22.79	25.52
6	355122	Impeller, 1 HP	26.46	29.64
7	354630	Housing, body	91.84	102.86
8	354541	Screw, 10-24-1-1/2 in. slotted hex, 6 req.	1.65	1.85
9	154481	Plug, 1/4 in. drain, 2 req.	1.29	1.44
10	273062	O-ring	1.24	1.39
11	354530	Pot	81.37	91.13
12	354548	Basket w/handle	14.87	16.65
13	354533	O-ring, lid	6.96	7.80

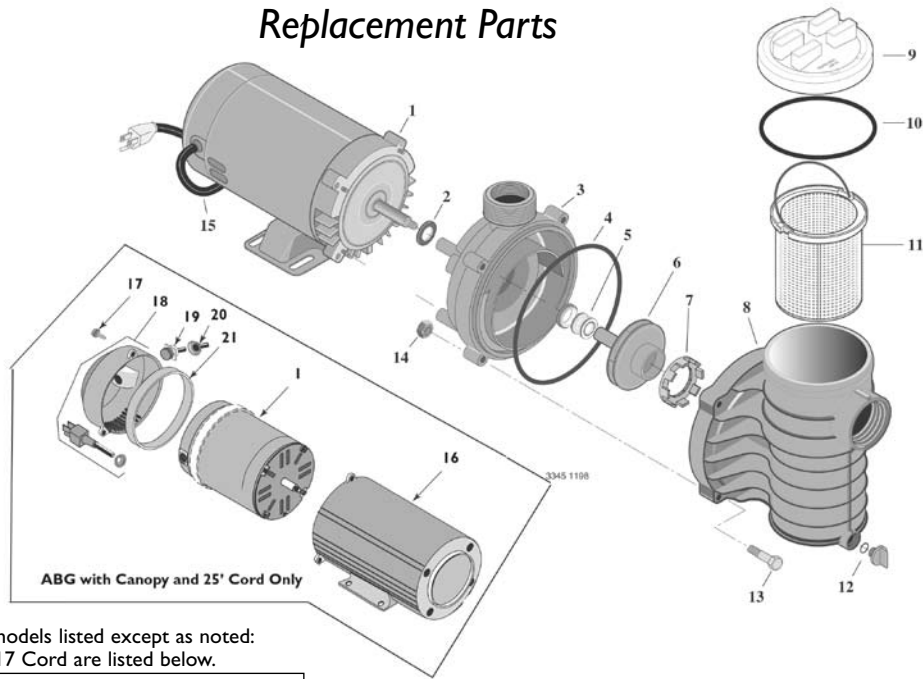
Item No.	Part No.	Description	US List	Can. List
14	354531	Lid, universal	44.13	49.43
14	354113	Chemical Resistant Lid	44.13	49.43
15	354103	Pot assembly	175.49	196.55
16	354621	Body, motor enclosure	38.07	42.64
17	354881	Cap, motor enclosure	49.52	55.46
18	154716	Screw, No. 10 self tapping	0.56	0.63
19	155371	Cord, 25 ft.	59.89	67.08
20	41412700	Bushing connector	8.28	9.27
21	155187	Switch, on/off toggle (CSA)	16.97	19.01
21A	356546	Switch, three position toggle (Hi/Low/Off)	43.25	48.44
22	155193	Wire, 6 in. jumper	4.99	5.59
23	354658	Insulation, foam strip adhesive backing	1.65	1.85
24	350024	Locknut, steel 1-1/2 in.	0.68	0.76
NOT SHOWN				
	352256	Nut, 1-1/2 in. quick connect, 2 req.	7.71	8.64
	354571	O-ring, 2 req.	2.69	3.01
	79137800	3 ft. cord standard assembly	49.76	55.73
	352245	Strain relief bushing for cords	2.15	2.41
	155295	Photo sensor add-on, used on 3/4 & 1 HP only	159.09	178.18
	350444	Motor switch assembly, on/off	36.90	41.33
	153263	Base CSA 4 in.	66.00	73.92
	155234	3 ft. cord TW	62.67	70.19

¹ Not available on Dynamo pump.

² Without rigid base.

ABG Series

Replacement Parts



Parts are common to all models listed except as noted:
Key Nos. 6, Impeller; and 17 Cord are listed below.

Model No.	HP	Impeller No. Key No. 6	Cord No. Key No. 17
115 Volt/1-Speed, Top Discharge			
ABG4C-3A4	1/2	17301-0114	31953-0116
ABG4C7-3A4	1/2	17301-0114	31953-0116
ABG4DL-2A1	3/4	17301-0113	31953-0101
ABG4D-2A4	3/4	17301-0113	31953-0116
ABGS4D-3A4	3/4SPL	17301-0114	31953-0116
ABGS4DL-3A4	3/4SPL	17301-0114	31953-0116
ABG4EL-2A1	1	17301-0112	31953-0101
ABG4EL-2A2	1	17301-0112	U117-1117
ABG4E-2A4	1	17301-0112	31953-0116
ABG4E-2A4SP	1	17301-0112	31953-0116
ABGS4E-3A4	1SPL	17301-0113	31953-0116
ABG4FL-A2	1SPL	17301-0111	U117-1117
ABG4FL-2A1	1 1/2	17301-0111	31953-0101
ABGS4F-2A4	1 1/2SPL	17301-0112	31953-0116
ABGS4F-A2	1 1/2SPL	17301-0112	U117-1117
115 Volt/1-Speed, Side Discharge			
ABG4D7L-2A1	3/4	17301-0113	31953-0101
ABG4D7-2A4	3/4	17301-0113	31953-0116
ABGS4D7-3A4	3/4SPL	17301-0114	31953-0116
ABG4E7L-2A1	1	17301-0112	31953-0101
ABG4E7L-2A2	1	17301-0112	U117-1117
ABG4E7-2A4	1	17301-0112	31953-0116
ABG4E7-2A4SP	1	17301-0112	31953-0116
ABG4E7-2A4SPH	1	17301-0113	31953-0116
ABGS4E7-3A4	1SPL	17301-0113	31953-0116
ABG4F7L-2A1	1 1/2	17301-0111	31953-0101
ABGS4F7-2A4	1 1/2SPL	17301-0112	31953-0116
115 Volt/2-Speed, Top Discharge			
ABG4YD-A1	3/4	17301-0113	31953-0101
ABG4YD-A2	3/4	17301-0113	U117-1117
ABG4YE-2A4	1	17301-0112	31953-0116
ABG4YF-A2	1 1/2	17301-0112	U117-1117
ABGS4YF-A1	2SPL	17301-0111	31953-0101
ABGS4YF-A2	2SPL	17301-0111	U117-1117
115 Volt/2-Speed, Side Discharge			
ABG4YE7-2A4	1	17301-0112	31953-0116
ABGS4YE7-A1	1SPL	17301-0113	31953-0101
ABGS4YE7-A2	1SPL	17301-0113	U117-1117
ABG4YF7-A2	1 1/2	17301-0111	U117-1117
ABGS4YF7-A1	1 1/2SPL	17301-0112	31953-0101
ABGS4YF7-A2	1 1/2SPL	17301-0112	U117-1117
115 Volt with 25 ft cord, canopy and on/off switch			
ABG-4EC-2A3	1	17301-0112	See parts list

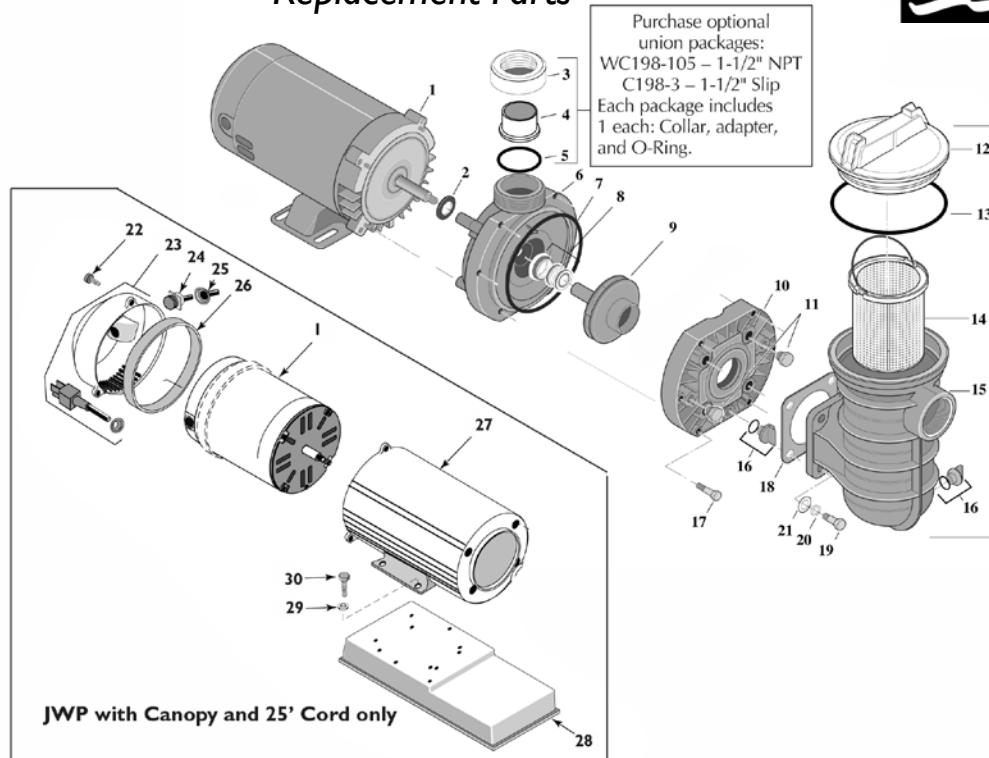
Item No.	Part No.	Description	US List	Can. List
ABG SERIES REPLACEMENT PARTS				
1		Motor	CALL	CALL
2	C69-2	Slinger	5.39	6.04
3	17500-0001	Seal Plate	40.69	45.57
4	35505-1438	Seal Plate O-Ring	6.96	7.80
5	37400-0027S	Shaft Seal	22.35	25.03
6	See Chart	Impeller	CALL	CALL
7	17500-0004	Floating Wear Ring	6.96	7.80
8	17500-0002	Trap Body	60.45	67.70
9	17500-0003	Trap Lid	23.25	26.04
10	35505-1437	Trap Lid O-Ring	2.84	3.18
11	17350-0100	Trap Basket	19.75	22.12
12	U178-920P	Drain Plug	2.57	2.88
13	30787-0005	Hex Head Bolt, 1/4-20x1-3/4"	3.60	4.03
14	35402-0071	Hex Nut	0.30	0.34
15	See Chart	Cord	CALL	CALL
ABG WITH CANOPY AND 25' CORD				
16	17190-0021	Motor Cover	57.43	64.32
17	154716	End Cap Screw	0.56	0.63
18	17190-0026	End Cap and Cord Assembly	121.75	136.36
19	16920-0511	Toggle Switch	19.04	21.32
20	32800-0107	Toggle Switch Boot	13.33	14.93
21	17290-0004	Baffle Ring	5.30	5.94
NOT SHOWN				
	17290-0001	Base Mount Hardware Kit ¹ (2 Bolts, 2 Washers)	6.94	7.77
	U33-155	Nameplate	1.81	2.03
	C63-12	Caution Tag	3.87	4.33
	U27-558	Decal - "GFCI Required"	1.18	1.32

¹ Included with top discharge pumps only.

Product on page 178-179

JWP Series

Replacement Parts



Item No.	Part No.	Description	US List	Can. List
JWP SERIES PUMPS				
1		Motor	CALL	CALL
2	17351-0009	Water Slinger	1.45	1.62
3	U11-182PM	Collar, Union	11.48	12.86
4	U11-183PM	Adapter, Union	9.27	10.38
5	U9-226	O-Ring	1.74	1.95
6	17301-0150	Seal Plate	52.40	58.69
7	35505-1438	O-Ring	6.96	7.80
8	37400-0027S	Shaft Seal	22.35	25.03
9	C105-228PJ	Impeller - 1/2 HP	47.89	53.64
9	C105-228PH	Impeller - 3/4 HP	43.09	48.26
9	C105-228PG	Impeller (1 HP, 1-1/2 HP)	43.09	48.26
9	C105-228PWBS	Impeller, Model JWPA5DC-2A3	55.51	62.17
9	C105-228PWVS	Impeller, Model JWPA5EC-2A3, JWPS5FC-2A3, 17290-J1002, JWPA5YEL-4A3, JWPS5YFL-4A3	55.51	62.17
10	C101-272PS	Front Plate Assembly	69.44	77.77
11	WC78-40T	Drain Plug, 1/4", taped	2.57	2.88
12	C103-139PI	Trap Cover, W/ O-Ring	CALL	CALL
12	C3-139P3	Trap Cover (Biguanide Resistant)	57.66	64.58
13	U9-229	O-Ring, Trap Cover	10.41	11.66
14	C108-33P	Strainer Basket	9.86	11.04
15	C153-53PI	Trap Body	85.94	96.25
16	U178-920P	Pipe Plug, 1/4" NPT (with O-Ring)	2.57	2.88
17	30787-0005	Bolt, Hx Head, 1/4-20 x 1-3/4"	3.60	4.03
18	C20-123	Gasket, Suction	6.93	7.76
19	U30-64SS	Capscrew, 5/16-18x1-1/4"	3.11	3.48
20	U43-11SS	Lockwasher, 5/16"	1.74	1.95
21	U43-11SS	Washer, 5/16" Flat	1.74	1.95

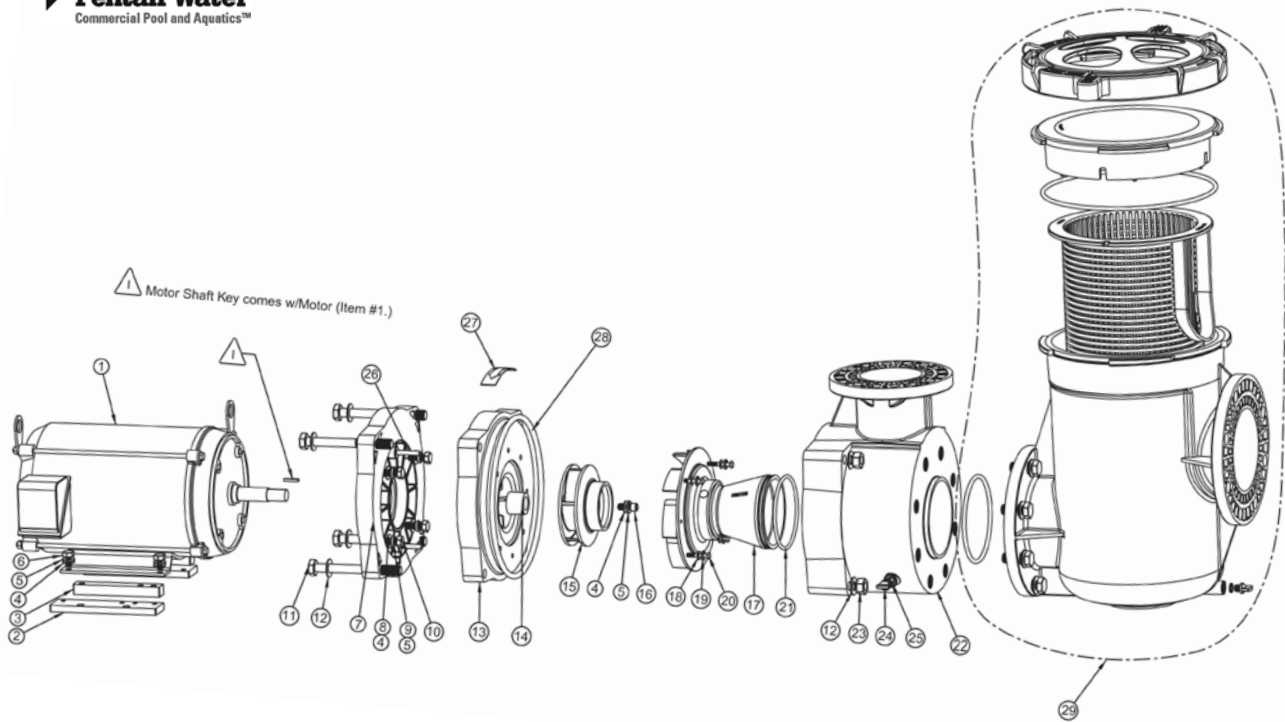
Item No.	Part No.	Description	US List	Can. List
JWP SERIES WITH CANOPY AND 25' CORD				
22	154716	End Cap Screw	0.56	0.63
23	17190-0026	End Cap and Cord Assembly, 1 SP Models	121.75	136.36
23	17190-0028	End Cap and Cord Assembly, 2 SP Models	CALL	CALL
24	16920-0511	Toggle Switch	19.04	21.32
25	32800-0107	Toggle Switch Boot	13.33	14.93
26	17290-0004	Baffle Ring	5.30	5.94
27	17190-0021	Motor Cover	57.43	64.32
28	17190-0023	Mounting Foot	63.59	71.22
29	U43-117SS	Plain Washer	CALL	CALL
30	U30-52SS	Cap Screw	0.76	0.85

NOT SHOWN				
	U117-1117	Cord Assembly, Straight Plug	27.66	30.98
	31953-0101	Cord Assembly, Twist-Lok Plug	38.32	42.92
	31953-0116	Cord Assembly, 6' Non-UL	13.82	15.48
	32155-4073	Nameplate	CALL	CALL
	U27-558	Decal - "GFCI Required"	1.18	1.32
	61002-0002	Tag - Do Not Use Pipe Dope	CALL	CALL

Product on pages 180-181

EQ Series® Commercial Plastic Pump

Replacement Parts



Part No.	Model No.	HP	Phase	Motor Support (Item No. 2)	Additional Motor Support (Item No. 3)	Motor No. (Item No. 1)	Impeller (Item No. 15)	Diffuser (Item No. 17)
340019, 340030	EQ500	5	1	356713	356712	357065S	350030	350032
340020, 340031	EQK500	5	3	356713	356712	357068S	350030	350032
340021, 340032	EQ750	7.5	1	356713	N/A	357066S	350029	350033
340022, 340033	EQK750	7.5	3	356713	356712	357069S	350029	350033
340237, 340238	EQ1000	10	1	356713	N/A	357063S	350028	350033
340023, 340034	EQK1000	10	3	356713	N/A	357070S	350028	350033
340024, 340035	EQK1500	15	3	356713	N/A	357071S	350027	356735
340045, 340047	EQK1000 EXPL PF	10	3	356713	N/A	350112S	350027	356735
340046, 340048	EQK750 EXPL PF	7.5	3	356713	N/A	350113S	350028	350033
340049, 350083	EQK1000	10	3	356713	N/A	350153S	350027	356735
340080, 340084	EQK750	7.5	3	356713	N/A	350154S	350028	350033
340081, 340085	EQK500	5	3	356713	356712	350155S	350029	350033
340082, 340086	EQK300	3	3	356713	356712	350156S	350030	350032
340018, 340029	EQK500	5	3	356713	356712	350158S	350070	357273
340017, 340028	EQ500	5	1	356713	356712	350159S	350070	357273
340148, 340155	EQK500 575V	5	3	356713	356712	355038S	350030	350032
340149, 340156	EQK750 575V	7.5	3	356713	356712	355039S	350029	350033
340150, 340157	EQK1000 575V	10	3	356713	N/A	355042S	350028	350033
340151, 340159	EQK1500 575V	15	3	356713	N/A	355044S	350027	356735
340014, 340026	EQ300	3	1	356713	356712	357064S	350027	356735
340016, 340027	EQK300	3	3	356713	356712	357067S	350027	356735

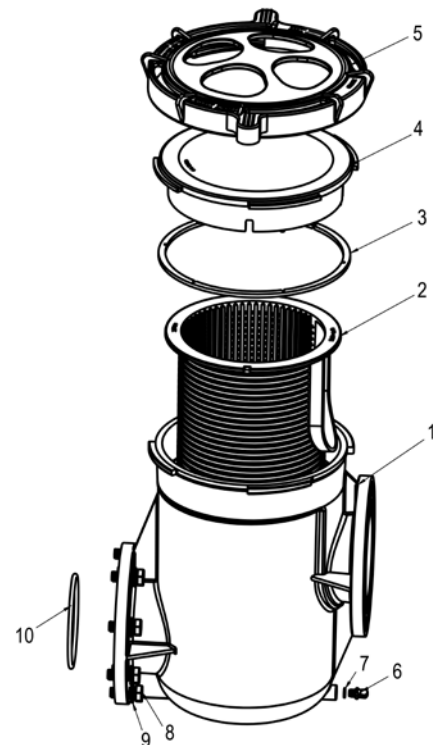
EQ Series® Commercial Plastic Pump

Replacement Parts

Item No.	Part No.	Description	US List	Can. List
EQ SERIES PUMP				
1		Motor - See Table on Prev Page	CALL	CALL
2		Support - Motor - See Table on Prev Page	CALL	CALL
3		Support Adapter - See Table on Prev Page	CALL	CALL
4	072184	Washer, Flat 3/8" ID x 7/8" OD .05Thk 18-8 s/s - {qty.5 ¹ & qty.9}	1.21	1.36
5	98220600	Washer Split Lock 3/8" 18-8 s/s - {qty.5 ¹ & qty.9}	1.21	1.36
6	A135	Screw 3/8" - 16x3/4" Hx Hd Cap 18-8 s/s (EQ750...1PH, EQ1000, EQ1500) - {qty.4}	9.60	10.75
6	350073	Screw 3/8"-16 x 1 1/2" Hx Hd Cap 18-8 s/s (EQ300, EQ500, EQ750...3PH) - (qty.4)	4.42	4.95
7	356790	Adapter - Motor - EQ Series	793.88	889.15
8	075842	Washer, Flat 1/2" ID x 1 1/4" OD .125 Thk 300 s/s - {qty. 4}	1.21	1.36
9	350063	Washer Split Lock 1/2" 18-8 s/s - {qty.4}	5.67	6.35
10	354290	Screw 3/8"-16 x 1" Hx Hd Cap 18-8 s/s (EQ300, EQ500, EQ750...3PH) - {qty. 4}	2.05	2.30
10	075843	Screw 1/2"-13 x 1 1/4" Hx Hd Cap 18-8 s/s (EQ750, 1PH, EQ1000, EQ1500) - {qty. 4}	CALL	CALL
11	356710	Screw 5/8"-11 x 6 1/2" Hx Hd Cap 18-8 s/s - {qty. 4}	108.41	121.42
12	356789	Washer, Flat 1 1/16" IDx1 - 5/16" OD .078 Thk 300 s/s {qty. 8}	1.21	1.36
13	356795	Seal Plate - EQ Series	938.22	1050.81
14	0717255	Seal Set	39.39	44.12
15		Impeller - See Table on Prev Page	CALL	CALL

Item No.	Part No.	Description	US List	Can. List
16	071037	Screw 3/8"-16 x 1" Sckt. Hd Cap 18-8 s/s	5.11	5.72
17		Diffuser - See Table on Prev Page	CALL	CALL
18	51008500	Washer, Flat 1/4" 300 s/s - {qty. 4}	3.22	3.61
19	072172	Washer Split Lock 1/4" 18-8 s/s - {qty. 4}	0.19	0.21
20	350035	Screw 1/4"-20 x 1 1/2" Hx Hd Cap 18-8 s/s (EQ500, EQ750, EQ1000) - {qty. 4}	4.22	4.73
20	356797	Screw 1/4"-20 x 1-3/4" Hx Hd Cap 18-8 s/s (EQW300, EQ1500) - {qty. 4}	4.75	5.32
21	350037	O-ring Diffuser 3/16" x 4-7/8"	14.71	16.48
22	356755	Housing - EQ Series	2823.24	3162.03
23	356776	Nut 5/8"-11 Hx Brass - {qty. 5}	13.87	15.53
24	357161	Drain Plug	3.10	3.47
25	192115	O-ring Drain Plug	0.97	1.09
26	350060	Pin Dowel 5/16" x 1 1/4" 18-8 s/s - {qty. 2}	20.34	22.78
28	356780	O-ring Seal Plate 3/8" x 11" dia.	43.70	48.94
29	340013	Strainer Pot, Complete EQ 6" x 6"	2431.33	2723.09

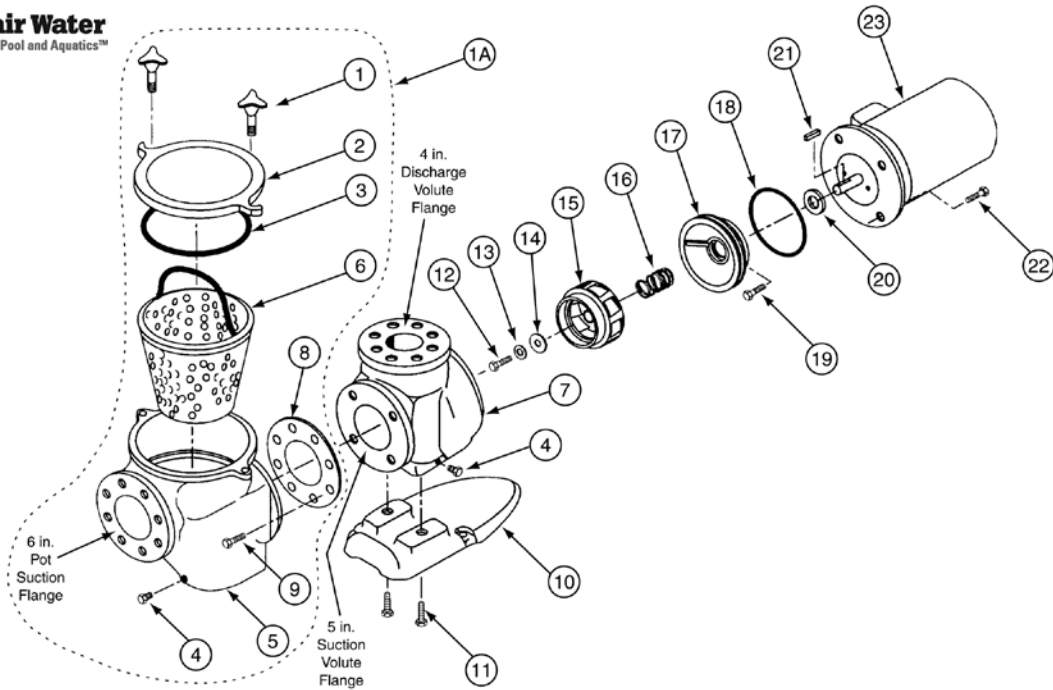
Item No.	Part No.	Description	US List	Can. List
EQ SERIES HAIR & LINT STRAINER				
1	356725	Pot EQ strainer	1889.67	2116.43
2	357184	Basket EQ strainer	175.98	197.10
3	350166	Gasket, EQ lid	17.72	19.85
4	356750	Lid EQ clear	398.82	446.68
5	350171	Clamp Cam & Ramp™ EQ	551.05	617.18
6	357161	Drain Plug	3.10	3.47
7	192115	O-ring drain plug	0.97	1.09
8	356788	Screw, 5/8 in., 11 x 1-3/4 in. hx hd cap 18-8 SS (qty. 8)	8.73	9.78
9	356789	Washer, flat 1 1/16 in. ID x 1-5/16 in. OD 0.078 thk 300 SS (qty. 8)	1.21	1.36
10	350013	O-ring pot flange	2.38	2.67
NOT SHOWN				
	350087	Pressure relief valve, 1/4 in. NPT	54.43	60.96



Product on pages 184-186

C Series® Pump

Replacement Parts for Commercial High Performance Pumps



Item No.	Part No.	Ref. No.	Description	US List	Can. List
C SERIES PUMPS					
1	075280	54475280618	Hand nut assembly, bronze, 2 req.	109.62	122.77
1A	072747		C series pot assembly ¹	4971.93	5568.56
2	075275	26075275219	Cover, C16, bronze	795.09	890.50
3	071433	3640525457	O-ring, C-18	7.52	8.42
4	071551	6000002190	Plug pipe, 1/4 in. bronze, 1 req.	4.46	5.00
5	075271	79675271199	Pot mach. bronze	3766.65	4218.65
6	072795	70472795100	Basket, C-29 SS 11 in.	374.07	418.96
7	075273	18075273199	Volute, C-2 bronze	3715.83	4161.73
8	070943	36470943603	Gasket flange, P-135, 5 in.	23.04	25.80
9	071683	1680634104	Screw, 3/4, 10 x 1.75 hh. brs. P-12, 4 req.	28.78	32.23
10	075287	82075287632	Foot, C-4 coated	82.80	92.74
11	071688	1680558359	Screw, 5/8, 11 x 1 stl. hh., 2 req.	1.52	1.70
12	071037	1680115104	Impeller, C-35 lock screw	5.11	5.72
13	071048	90871048212	Impeller, washer, C-71	11.57	12.96
14	075713	3642034603	Impeller, washer gasket	1.21	1.36
15	073828	44473328208	Impeller, CH-50/CHK-50/CHKL-50, 5HP, 1PH, 3PH, high hd.	1227.03	1374.27
15	070228	44470228208	Impeller, CM-50/CMK-50/CMKL-50, 5HP, 1PH, 3PH, med. hd.	1227.03	1374.27
15	073829	44473829208	Impeller, CH-75/CHK-75/CHKL-75, 7.5HP, 1PH, 3PH, high hd.	1227.03	1374.27
15	070227	44470227208	Impeller, CM-75/CMK-75/CMKL-75, 7.5HP, 1PH, 3PH, med. hd.	1227.03	1374.27
15	073830	44473830208	Impeller, CH-100/CHK-100/CHKL-100, 10HP, 1PH, 3PH, high hd.	1227.03	1374.27
15	070226	44470226208	Impeller, CM-100/CMK-100/CMKL-100, 10HP, 1PH, 3PH, med hd.	1227.03	1374.27
15	073831	44473831208	Impeller, CHK-150/CHKL-150, 15HP, 3PH, high hd.	1227.03	1374.27

Item No.	Part No.	Ref. No.	Description	US List	Can. List
15	070225	44470225208	Impeller, CMK-150/CMKL-150, 15HP, 3PH, med hd.	1227.03	1374.27
15	073832	44473832208	Impeller, CHK-200/CHKL-200, 20HP, 3PH, high hd.	1227.03	1374.27
16	071725S	71271725753	Seal, C-7, PS-360	39.39	44.12
17	070906	11670906199	Flange, mach., C-52 brass	534.41	598.54
18	071423	3640508457	O-ring, C-70	2.98	3.34
19	071681	1680378104	Screw, 3/8, 16 x 7/8 in. CS hh., 2 req.	1.12	1.25
20	072185	7641043478	Water slinger, C-115	7.93	8.88
21	071046	4720201104	Impeller, key, 3/16 in.	20.10	22.51
22	071687	1680155113	Screw, 1/2, 13 x 1.25 stl. hh., 4 req.	4.99	5.59
60 HERTZ MOTORS					
23	357205		Motor, 5HP, 1PH, 200/208V	CALL	CALL
23	071366	52571366999	Motor, 5HP, 1PH, 230V	CALL	CALL
23	357206		Motor, 5HP, 3PH, 200/208V	CALL	CALL
23	071364	52571364999	Motor, 5HP, 3PH, 208-220/440	CALL	CALL
23	357207		Motor, 7.5HP, 1PH, 200/208V	CALL	CALL
23	357204	525357204999	Motor, 7.5HP, 1PH, 230V	CALL	CALL
23	357208		Motor, 7.5HP, 3PH, 200/208V	CALL	CALL
23	071365	52571365999	Motor, 7.5HP, 3PH, 208-220/440V	CALL	CALL

C Series® Pump (Cont'd)

Replacement Parts for Commercial Performance Pumps

Item No.	Part No.	Ref. No.	Description	US List	Can. List
C SERIES PUMPS					
60 HERTZ MOTORS (Cont'd.)					
23	357247		Motor, 7.5HP, 3PH, 575V	CALL	CALL
23	357209		Motor, 10HP, 3PH, 200/208V	CALL	CALL
23	357249		Motor, 10HP, 1PH, 230V	CALL	CALL
23	071363	52571363999	Motor, 10HP, 3PH, 208-220/440V	CALL	CALL
23	357238		Motor, 10HP, 3PH, 575V	CALL	CALL
23	357210		Motor, 15HP, 3PH, 200/208V	CALL	CALL
23	071361	52571361999	Motor, 15HP, 3PH, 208-220/440V	CALL	CALL
23	357245		Motor, 15HP, 3PH, 575V	CALL	CALL
23	357211		Motor, 20HP, 3PH, 200/208V	CALL	CALL
23	071362	52571362999	Motor, 20HP, 3PH, 208-220/440V	CALL	CALL
23	357246		Motor, 20HP, 3PH, 575V	CALL	CALL
50 HERTZ MOTORS					
23	072737	52572737999	Motor, 5HP, 3PH, 380/415V	CALL	CALL
23	072739	52572739999	Motor, 7.5HP, 3PH, 380/415V	CALL	CALL
23	072740	52572740999	Motor, 10HP, 3PH, 380/415V	CALL	CALL
23	072742	52572742999	Motor, 15HP, 3PH, 380/415V	CALL	CALL
23	072744	52572744999	Motor, 20HP, 3PH, 380/415V	CALL	CALL
Motor subassemblies include items No.12 -21 and 23					
	073262	A073262	Motor, sub assembly, CMK-50 ²	CALL	CALL
	073265	A073265	Motor, sub assembly, CHK-50 ²	CALL	CALL
	073263	A073263	Motor, sub assembly CMK-75 ²	CALL	CALL
	073266	A073266	Motor, sub assembly CHK-75 ²	CALL	CALL
	073680	A073680	Motor, sub assembly CMK-100 ²	CALL	CALL
	073267		Motor, sub assembly CHK-100 ²	CALL	CALL
	073261	A073261	Motor, sub assembly CMK-150 ²	CALL	CALL
	073268	A073268	Motor, sub assembly CHK-150 ²	CALL	CALL

Item No.	Part No.	Ref. No.	Description	US List	Can. List
	073269	A073269	Motor, sub assembly CHK-200 ²	CALL	CALL
	357910	A357910	Motor, sub assembly CH-75, 1PH, 230V ³	CALL	CALL
	357930	A357930	Motor, sub assembly CM-75, 1PH, 200V ³	CALL	CALL
	357935	A357935	Motor, sub assembly CH-75, 1PH, 230V ³	CALL	CALL
	357250		Motor, sub assembly CH-100, 10HP, 1PH, 230V	CALL	CALL
	357251		Motor, sub assembly CM-100, 1PH, 230V	CALL	CALL
	014700	A014700	Motor, sub assembly CMKL-50 380/415V ⁴	CALL	CALL
	014801	A014801	Motor, sub assembly CHKL-50 380/415V ⁴	CALL	CALL
	014701	A014701	Motor, sub assembly CMKL-75 380/415V ⁴	CALL	CALL
	014802	A014802	Motor, sub assembly CHKL-75 380/415V ⁴	CALL	CALL
	014702	A014702	Motor, sub assembly CMKL-100 ⁴	CALL	CALL
	014803	A014803	Motor, sub assembly CHKL-100 ⁴	CALL	CALL
	014703	A014703	Motor, sub assembly CMKL-150 ⁴	CALL	CALL
	014804	A014804	Motor, sub assembly CHKL-150 ⁴	CALL	CALL
	014805	A014805	Motor, sub assembly CHKL-200 ⁴	CALL	CALL

¹ Includes: 2 of item No. 1, 1 each of items No.2 thru No. 6, 1 of item No. 8 and 4 of item No. 9.

² All motor subassemblies are 60 Hertz 220/440V, 3 phase.

³ All motor subassemblies are single phase 60 Hertz.

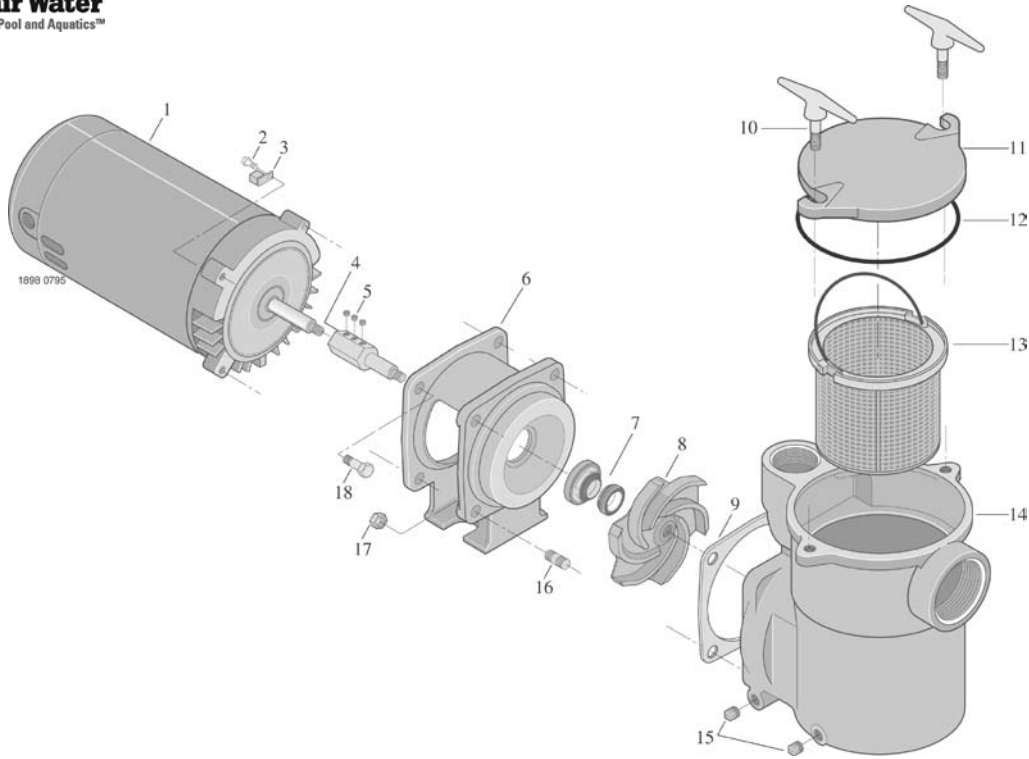
⁴ All motor subassemblies are 50 Hertz 380/415V, 3 phase.

Notes:

- All bronze C-series parts will retrofit older cast iron models.
- Standard flange not included with pump.
- For all 200/208V applications, use 200/208V motors only.

CF6 Series™ Pump

Replacement Parts



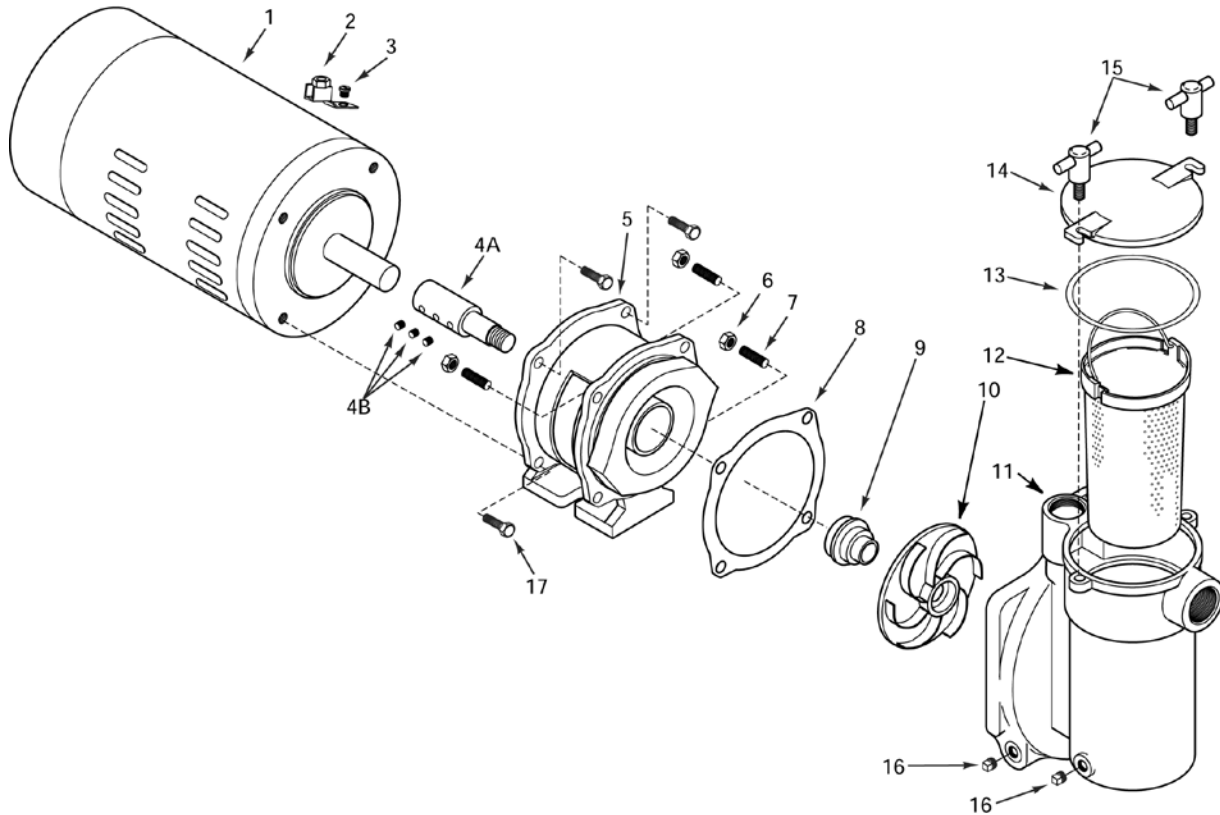
Item No.	Part No.	Description	US List	Can. List
CF6 SERIES				
1	AE600FHL	Motor - CF6EF-81L - 1-½ HP 230V	CALL	CALL
1	AE600GHL	Motor - CF6EG-82L - 2 HP 230V	CALL	CALL
1	C218-195	Motor - CF6H-123 - 3 HP 230V	CALL	CALL
1	C218-194	Motor - CF6H3-123 - 3 HP 230/460V	CALL	CALL
2	U30-692SS	Screw	CALL	CALL
3	U17-568	Bonding Lug	8.41	9.42
4	C110-17	Stub Shaft Assembly (w/Set Screws) ¹	60.25	67.48
4	C10-17A	Stub Shaft Assembly - MODEL # CF6H3-123 - 3 HP 230/460V (Does Not Include Set Screws)	72.85	81.59
5	U30-754SS	Set Screw, ¼ - 20 x 5/16 in.	11.11	12.44
6	C2-57D	Adapter	320.04	358.44
7	U109-136SS	Shaft Seal	23.16	25.94
8	C5-181D	Impeller - Model # CF6EF-81I 1-¼ HP 230V	161.03	180.35
8	C5-182D	Impeller - Model # CF6EG-82I 2 HP 230V	150.41	168.46
8	C5-203D	Impeller - Model # CF6H-123 - 3 HP 230V, Model # CF6H3-123 - 3 HP 230/460V	180.94	202.65
9	C20-72	Gasket	3.37	3.77

Item No.	Part No.	Description	US List	Can. List
10	C154-18D	Trap Handle	26.92	30.15
11	C3-78D	Trap Cover	172.55	193.26
12	U9-46	Cord Ring	9.84	11.02
13	C108-11P	Strainer Basket	25.55	28.62
14	C1-201DB	Volute & Trap Body	912.65	1022.17
15	U78-57DT	Pipe Plug, ¼ in. NPT	3.11	3.48
16	U30-22SS	Stud, ¾ - 16 x 1-¼ in.	5.86	6.56
18	U30-72SS	Capscrew, ¾-16 x 5/8 in.	3.39	3.80
NOT SHOWN				
	C30-20	Impeller Screw	17.10	19.15
	U43-51D	Impeller Washer	1.12	1.25

¹ C10-17A does not include set screws.

CFA Series™ Pump

Replacement Parts

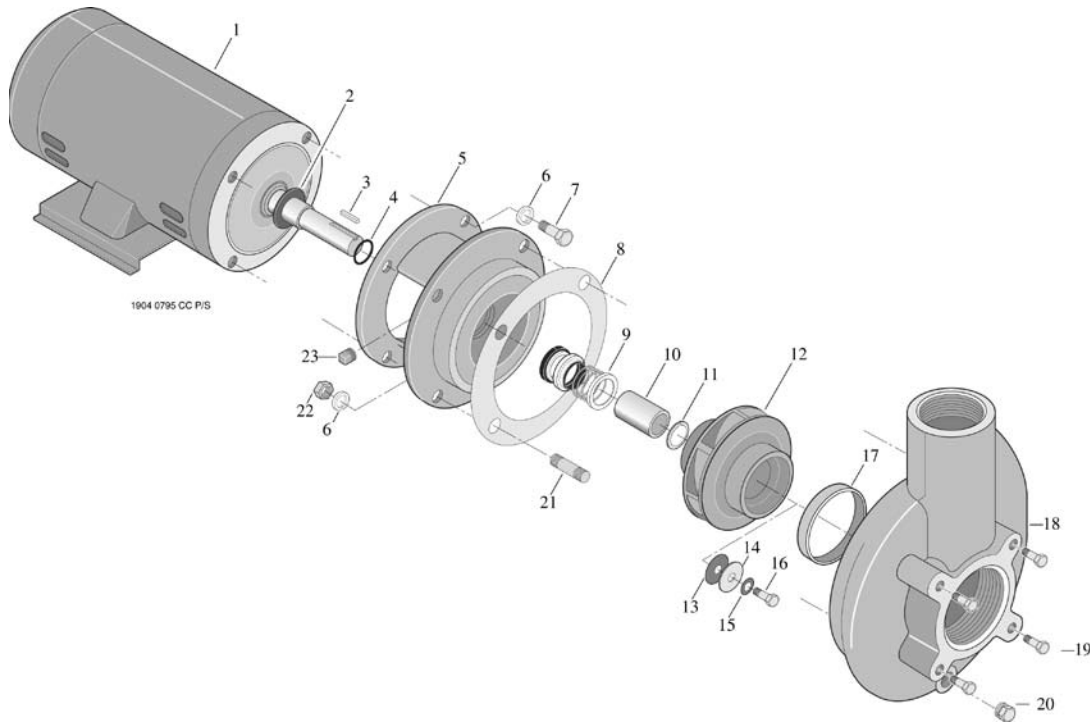


Item No.	Part No.	Description	US List	Can. List
CFA SERIES				
1	A600DLL	Motor 115/230V - MODEL# CFAD-75DL - ¼ HP	CALL	CALL
1	A600ELL	Motor 115/230V - MODEL # CFAE-79DL - 1 HP	CALL	CALL
1	A600FLL	Motor 115/230V - MODEL # CFAF-80DL - 1-½ HP	CALL	CALL
1	AE600GLL	Motor 230V - MODEL # CFAEG-81DL - 2 HP	CALL	CALL
1	AE600G5LL	Motor 230V - MODEL # CFAAEG-82DL - 2-½ HP	CALL	CALL
2	U17-568	Bonding Lug	8.41	9.42
3	U30-692SS	Screw, #10 - 32 x ½	CALL	CALL
4A	C110-17	Stub Shaft Assembly	60.25	67.48
4B	U30-754SS	Set Screw ¼ - 20 x 5/16 in.	11.11	12.44
5	C2-57D	Adapter	320.04	358.44
7	U30-22SS	Stud, 3/8 x 1-¼ in.	5.86	6.56
8	C20-72	Gasket	3.37	3.77
9	U109-136SS	Shaft Seal Package ¹	23.16	25.94

Item No.	Part No.	Description	US List	Can. List
10	C5-164D	Impeller - MODEL# CFAD-75DL - ¼ HP	145.10	162.51
10	C5-166D	Impeller - MODEL # CFAE-79DL - 1 HP	151.52	169.70
10	C5-183D	Impeller - MODEL # - CFAF-80DL - 1-½ HP	160.49	179.75
10	C5-181D	Impeller - MODEL # - CFAEG-81DL - 2 HP	161.03	180.35
10	C5-182D	Impeller - MODEL # - CFAAEG-82DL - 2-½ HP	150.41	168.46
11	C1-185DB	Volute and Trap Body	773.19	865.97
12	C108-33P	Trap Basket	9.86	11.04
13	U9-161	Cord Ring	8.14	9.12
14	C3-140DC	Trap Cover	CALL	CALL
15	C154-18D	Trap Handle	26.92	30.15
16	U78-57DT	Pipe Plug, ¼ in. NPT	3.11	3.48
17	U30-72SS	Capscrew 3/8 - 16 x ¾ in.	3.39	3.80

CC/C Series™ Centrifugal Pump

3 HP Model Replacement Parts



Item No.	Part No.	Description	US List	Can. List
CENTRIFUGAL PUMP - CC/C SERIES - 3 HP				
1	C218-177	Motor 230V/60H/1 Ph.	CALL	CALL
1	C218-178	Motor 200V/60H/3 Ph.	CALL	CALL
1	C218-179	Motor 230/460V/60H/3 Ph.	CALL	CALL
1	C218-191	Motor 200V/60H/1 Ph.	CALL	CALL
3	U65-42A	Key, Impeller	9.69	10.85
4	U9-265	O-Ring	1.97	2.21
5	C2-81	Adapter (Models: CCMH-136, CCM2H-136, CCM2H-136S, CCMH3-136S, CCM2H3-136, CCM2H3--136S, CCHH-137S, CCHH3-137S, CCH2H-137S, CCH2H3-137, CCH2H3-137S)	179.67	201.23
5	C2-81D	Adapter (Models: CMH-136, CMH3-136, CM2H-136, CM2H3-136, CHH-137, CHH3-137, CH2H3-137)	654.18	732.68
6	U43-12ZP	Lockwasher, 3/8 in.	1.23	1.38
7	U30-73ZP	Capscrew, 3/8 in. -16 x 7/8 in.	1.12	1.25
8	C20-77	Gasket	4.14	4.64
9	U109-433SS	Shaft Seal (Replaces U109-220, effective 8/00)	103.26	115.65
10	C23-58	Shaft Sleeve	97.71	109.44
11	C20-101	Gasket, Sleeve	2.52	2.82
12	C105-224DG	Impeller (Silicon Brass) (Models: CCMH-136, CCM2H-136, CCM2H-136S, CCMH3-136S, CCM2H3-136, CCM2H3-136S, CMH-136, CMH3-136, CM2H-136, CM2H3-136)	594.62	665.97
12	C105-224DF	Impeller (Silicon Brass) (Models: CCHH-137S, CCHH3-137S, CCH2H-137S, CCH2H3-137, CCH2H3-137S, CHH-137, CHH3-137, CH2H3-137)	570.75	639.24

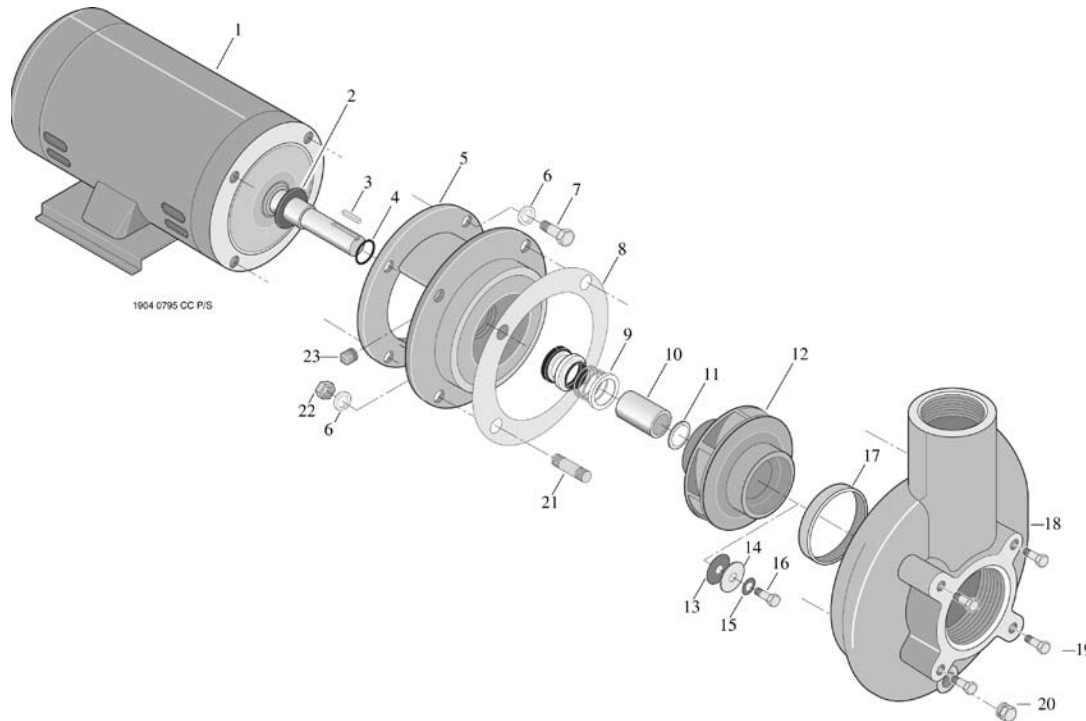
Item No.	Part No.	Description	US List	Can. List
13	C20-100	Gasket, Impeller	2.52	2.82
14	C43-45SS	Washer, Impeller	4.85	5.43
15	C43-46	Washer, Stat-O-Seal	4.31	4.83
16	U30-72SS	Screw, Impeller 3/8-16 x 3/4 in.	3.39	3.80
17	C23-40	Wear Ring Only	79.87	89.45
18	C101-167	Volute Assembly (Incl. 17 Only) (Models CCMH-136, CCM2H-136, CCM2H-136S, CCMH3-136S, CCM2H3-136, CCM2H3-136S, CCHH-137S, CCHH3-137S, CCH2H-137S, CCH2H3-137, CCH2H3-137S)	363.09	406.66
18	C101-167D	Volute Assembly (Incl. 17 Only) (Models CMH-136, CMH3-136, CM2H-136, CM2H3-136, CHH-137, CHH3-137, CH2H3-137)	1115.12	1248.93
20	U78-941ZPV	Pipe Plug, 1/4" NPT, Hex Head	1.25	1.40
21	U30-22SS	Stud, 3/8-16 x 1/16 in.	5.86	6.56
22	U36-38ZP	Nut, Hex 3/8 x 16 - (Models CCMH-136, CCM2H-136, CCM2H-136S, CCMH3-136S, CCM2H3-136, CCM2H3--136S, CCHH-137S, CCHH3-137S, CCH2H-137S, CCH2H3-137, CCH2H3-137S)	1.62	1.81
23	U78-57SSS	Pipe Plug, 1/4 in. NPT	6.76	7.57

NOTE: Model numbers with a "3" in them indicate a 3-Phase motor. Model numbers with a "2" in them indicate a 200V motor.

NOTE: C Series with different hydraulic numbers (CCMH-93) are older models that use different parts. Consult factory for older models.

CC/C Series™ Centrifugal Pump

5 HP Model Replacement Parts



Item No.	Part No.	Description	US List	Can. List
CENTRIFUGAL PUMP - CC/C SERIES 5 HP				
1	C218-180	Motor 230V/60H/1 Ph.	CALL	CALL
1	C218-182	Motor 230/460V/60H/3 Ph.	CALL	CALL
1	C218-181	Motor 200V/60H/3 Ph.	CALL	CALL
3	U65-42A	Key, Impeller	9.69	10.85
4	U9-265	O-Ring	1.97	2.21
5	C2-81	Adapter (Models: CCHJ-138, CCHJ138S, CCHJ3-138S, CCH2J3-138S)	179.67	201.23
5	C2-81D	Adapter (Models: CHJ-138, CH2J3-138, CH2J3-138)	654.18	732.68
6	U43-12ZP	Lockwasher, 3/8 in.	1.23	1.38
7	U30-73ZP	Capscrew, 3/8 - 16 x 7/8 in.	1.12	1.25
8	C20-77	Gasket	4.14	4.64
9	U109-433SS	Shaft Seal	103.26	115.65
10	C23-58	Shaft Sleeve	97.71	109.44
11	C20-101	Gasket, Sleeve	2.52	2.82
12	CI05-224DE	Impeller (Silicon Brass)	584.57	654.72
13	C20-100	Gasket, Impeller	2.52	2.82

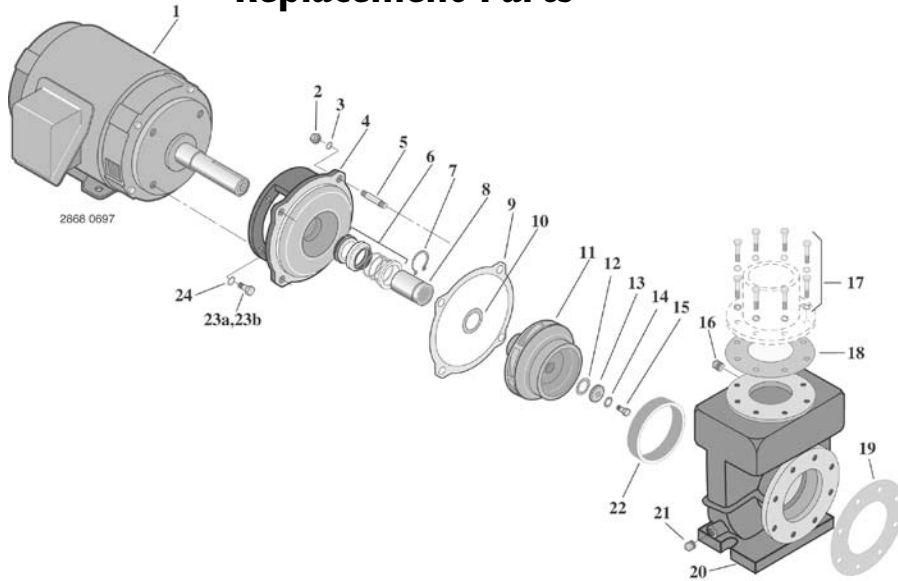
Item No.	Part No.	Description	US List	Can. List
14	C43-45SS	Washer, Impeller	4.85	5.43
15	C43-46	Washer, Stat-O-Seal	4.31	4.83
16	U30-72SS	Screw, Impeller 3/8 - 16 x 3/4 in.	3.39	3.80
17	C23-40	Wear Ring Only	79.87	89.45
18	C101-167	Volute Assembly (Incl. 17 Only) (Models: CCHJ-138, CCHJ138S, CCHJ3-138S, CCH2J3-138S)	363.09	406.66
18	C101-167D	Volute Assembly (Incl. 17 Only) (Models: CHJ-138, CH2J3-138, CH2J3-138)	1115.12	1248.93
20	U78-941ZPV	Pipe Plug, 1/4" NPT, Hex Head	1.25	1.40
21	U30-22SS	Stud, 3/8 - 16 x 1-1/4 in.	5.86	6.56
22	U36-38ZP	Nut, Hex 3/8 x 16 in. (Models: CCHJ-138, CCHJ138S, CCHJ3-138S, CCH2J3-138S)	1.62	1.81
23	U78-57SSS	Pipe Plug, 1/4 in. NPT	6.76	7.57

NOTE: Model numbers with a "3" in them indicate a 3-Phase motor. Model numbers with a "2" in them indicate a 200V motor.

NOTE: C Series with different hydraulic numbers (CCMH-93) are older models that use different parts. Consult factory for older models.

CSPH/CCSPH Series™

Replacement Parts



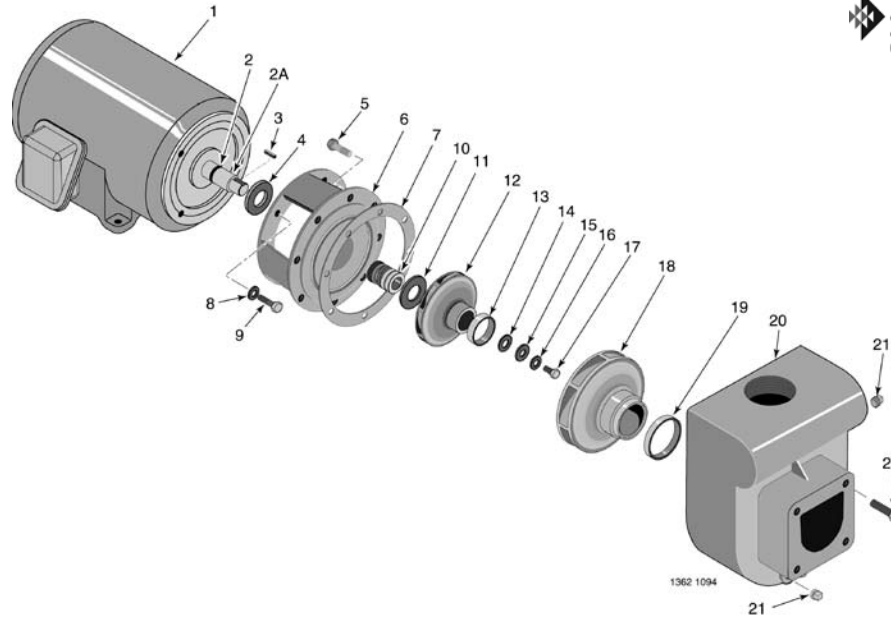
Item No.	Part No.	Description	US List	Can. List	Item No.	Part No.	Description	US List	Can. List
230 VOLT/1 PHASE OR 230/460 VOLT/3 PHASE					230 VOLT/1 PHASE OR 230/460 VOLT/3 PHASE - Continued				
1	S22351	Motor 230V/1 Ph. - 7-½ HP (Models: CSPHK-142 ¹ , CCSPHK-142 ¹ , CSPHK3-142 ¹ , CCSPHK3-142 ²)	CALL	CALL	8	37447-0001	Shaft Sleeve	CALL	CALL
1	62500-0101	Motor 230V/1 Ph. - 10 HP (Models: CSPHL-143, CCSPHL-143M, CSPHL3-143 ¹ , CCSPHL3-143 ¹)	CALL	CALL	8	37447-0002	Shaft Sleeve - 20 HP	CALL	CALL
1	S22353	Motor 230V/3 Ph. - 7-½ HP (Models: CSPHK-142 ¹ , CCSPHK-142 ¹ , CSPHK3-142 ² , CCSPHK3-142 ²)	CALL	CALL	9	S04757	Gasket (Volute to Bracket)	12.56	14.07
1	S22356	Motor 230V/3 Ph. - 10 HP (Models: CSPHL-143, CCSPHL-143M, CSPHL3-143 ¹ , CCSPHL3-143 ¹)	CALL	CALL	10	33455-8044	Gasket (Impeller to Shaft Sleeve)	5.64	6.32
1	S22357	Motor 230V/3 Ph. - 15 HP (Models: CSPHM3-144 ¹ , CCSPHM3-144 ¹)	CALL	CALL	10	33455-8046	Gasket (Impeller to Shaft Sleeve) - 20 HP	5.64	6.32
1	S28574	Motor 230V/3 Ph. - 20 HP (Models: CSPHN3-145 ¹ , CCSPHN3-145 ¹)	CALL	CALL	11	16830-0209	Impeller - 7-½ HP	1135.85	1272.15
1	16830-0320	Motor 230V/3 Ph. - 7-½ HP (Models: CSPH2K3-142, CSPH2K3-142)	CALL	CALL	11	16830-0210	Impeller - 10 HP	1024.10	1146.99
1	16831-0320	Motor 230V/3 Ph. - 10 HP (Models: CSPH2L3-143, CCSPH2L3-143)	CALL	CALL	11	16830-0211	Impeller - 15 HP	1170.30	1310.74
1	16832-0320	Motor 230V/3 Ph. - 15 HP (Models: CSPH2M3-144, CCSPH2M3-144)	CALL	CALL	11	16830-0212	Impeller - 20 HP	1405.48	1574.14
1	16833-0320	Motor 230V/3 Ph. - 20 HP (Models: CSPH2N3-145, CCSPH2N3-145)	CALL	CALL	12	33455-8043	Gasket (Impeller to Washer)	5.64	6.32
2	S23488	Nut, ½"	3.39	3.80	12	33455-8045	Gasket (Impeller to Washer) - 20 HP	5.64	6.32
3	U43-13SS	Lockwasher, ½"	1.25	1.40	13	38917-0203	Impeller Washer	51.73	57.94
3	U43-12SS	Lockwasher, ¾" ²	2.27	2.54	13	38917-0204	Impeller Washer - 20 HP (Models: CSPHN3-145 ¹ , CCSPHN3-145 ¹)	62.08	69.53
4	L05329	Bracket - 7-½ HP (CSPH, CSPH2 Models)	232.94	260.89	14	C43-46SS	Stat-O-Seal Washer	13.04	14.60
4	L05328	Bracket - 10 HP (CSPH, CSPH2 Models) - 15 HP (CSPH, CSPH2 Models)	257.83	288.77	14	C43-46SSA	Stat-O-Seal Washer - 20 HP (Models: CSPHN3-145 ¹ , CCSPHN3-145 ¹)	16.61	18.60
4	L05779	Bracket - 20 HP (CSPH, CSPH2 Models)	462.34	517.82	15	S23566	Capscrew, ¾-16x1" ¹	3.60	4.03
4	16830-2201	Bracket - 7-½ HP (CCSPH, CCSPH2 Models)	1029.12	1152.61	15	S23619	Capscrew, ½-13x1" ²	5.39	6.04
4	16830-2203	Bracket - 10 HP (CCSPH, CCSPH2 Models) - 15 HP (CCSPH, CCSPH2 Models)	1053.24	1179.63	16	U78-57DT	Pipe Plug ¼" NPT	3.11	3.48
4	16830-2202	Bracket - 20 HP (CCSPH, CCSPH2 Models)	806.12	902.85	17	16830-0400	Hardware Kit	59.04	66.12
5	30747-0152	Stud, ½ -13x1 ½"	22.71	25.44	18	33450-8042	Gasket (Volute Discharge)	13.76	15.41
6	S32014	Mechanical Shaft Seal	114.87	128.65	19	33450-8041	Gasket (Volute Suction)	19.35	21.67
6	S32015	Mechanical Shaft Seal - 20 HP	247.68	277.40	20	16830-0100	Volute (CSPH, CSPH2)	2765.89	3097.80
7	S11207	Retaining Ring	16.16	18.10	20	16830-2102	Volute (CCSPH) - 7-½ HP, 10 HP	5029.68	5633.24
7	S16767	Retaining Ring - 20 HP (Models: CSPHN3-145 ¹ , CCSPHN3-145 ¹)	35.90	40.21	20	16830-2103	Volute (CCSPH) - 15 HP, 20 HP ¹	5063.58	5671.21
					20	16830-0100	Volute (CSPH2, CSPH2)	2765.89	3097.80
					20	16830-2102	Volute (CCSPH2) - 7-½ HP, 10 HP	5029.68	5633.24
					21	U78-59D	Drain Plug, ½" NPT	7.58	8.49
					22	16830-0120	Wear Ring	87.38	97.87
					23A	S23619	Capscrew, ½-13x1" ¹	5.39	6.04
					23B	S23566	Capscrew, ¾-16x1" ²	3.60	4.03
					24	U43-13SS	Lockwasher, ½"	1.25	1.40

¹ 7-1/2 HP; 1 Phase only.

² 3 Phase only

D Series™

Replacement Parts



Item No.	Part No.	Description	US List	Can. List
Self Priming Centrifugal Pump - D Series				
1	C218-177	Motor 230V/60H/1 Ph. DMH Medium Head: 3 HP, High Head: 3 HP	CALL	CALL
1	C218-180	Motor 230V/60H/1 Ph. DMJ Medium Head: 5 HP, High Head: 5 HP	CALL	CALL
1	C218-179	Motor 230/460V/60H/3 Ph. DMH Medium Head: 3 HP, High Head: 3 HP	CALL	CALL
1	C218-182	Motor 230/460V/60H/3 Ph. DMJ Medium Head: 5 HP, High Head: 5 HP	CALL	CALL
1	C218-191	Motor 200V/60H/1 Ph. DMH Medium Head: 3 HP, High Head: 3 HP	CALL	CALL
1	C218-192	Motor 200V/60H/1 Ph. DMJ Medium Head: 5 HP, High Head: 5 HP	CALL	CALL
1	C218-178	Motor 200V/60H/3 Ph. DMH Medium Head: 3 HP, High Head: 3 HP	CALL	CALL
1	C218-181	Motor 200V/60H/3 Ph. DMJ Medium Head: 5 HP, High Head: 5 HP	CALL	CALL
2	U9-265	O-Ring	1.97	2.21
2A	C23-58	Sleeve	9.69	10.85
3	U65-42A	Key, Square $\frac{3}{16} \times \frac{3}{16} \times \frac{7}{8}$ "	6.46	7.24
7	C20-46	Gasket, Adapter	1.23	1.38
8	U43-12ZP	Lockwasher, $\frac{3}{8}$ " ¹	1.12	1.25
9	U30-73ZP	Capscrew, $\frac{3}{8}$ - 16 x $\frac{7}{8}$ "	103.26	115.65
10	U109-433SS	Shaft Seal ³	2.52	2.82
11	C20-101	Gasket, Seal	614.36	688.08
12	C5-246	Impeller ² - Medium Head: 3 HP	608.61	681.64
12	C5-247	Impeller ² - Medium Head: 5 HP	CALL	CALL

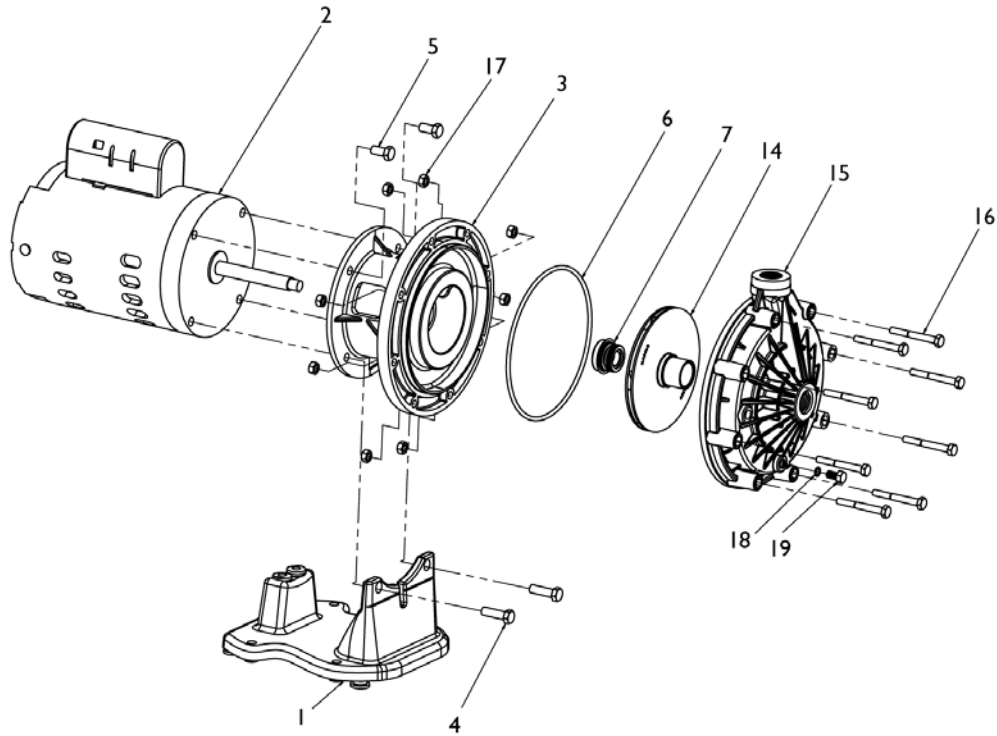
Item No.	Part No.	Description	US List	Can. List
Self Priming Centrifugal Pump - D Series				
12	C5-248	Impeller ² - High Head: 3 HP	604.50	677.04
12	C5-249	Impeller ² - High Head: 5 HP	570.75	639.24
13	J23-5	Wear Ring (Only)	24.59	27.54
13	C23-14	Wear Ring (Only) - Medium Head: 5 HP	27.82	31.16
14	C20-100	Gasket	2.52	2.82
15	C43-45SS	Washer, Impeller	4.85	5.43
16	C43-46	Gasket	4.31	4.83
17	U30-72SS	Screw, Impeller $\frac{3}{8}$ - 16 x $\frac{3}{4}$ " ¹	3.39	3.80
18	C101-126	Volute Diffuser w/Wear Ring Medium Head: 3 HP	139.83	156.61
18	C101-126B	Volute Diffuser w/Wear Ring Medium Head: 5 HP	145.92	163.43
18	C101-132	Volute Diffuser w/Wear Ring High Head: 3 HP, High Head: 5 HP	145.92	163.43
19	C21-2	Diffuser Ring	4.48	5.02
20	C76-12	Pump Body Medium Head: 3 HP, High Head: 5 HP	622.44	697.13
20	C76-12C	Pump Body - Medium Head: 5 HP	672.15	752.81
20	C76-12B	Pump Body - High Head: 3 HP	618.49	692.71
21	U78-941ZPV	Pipe Plug, $\frac{1}{4}$ " NPT ¹	1.25	1.40
22	U30-60ZP	Capscrew $\frac{5}{16}$ - 18 x $\frac{3}{4}$ "	1.08	1.21
NOT SHOWN				
	U212-68T	Draincock, $\frac{1}{4}$ " NPT*	4.55	5.10

1. Purchase locally.
2. Change effective 6/97.
3. Replaces U109-220 (effective 8/00).

NOTE: D Series with different numbers (i.e. DMH-64) use different parts. Consult factory for older models.

Booster Pump

Replacement Parts

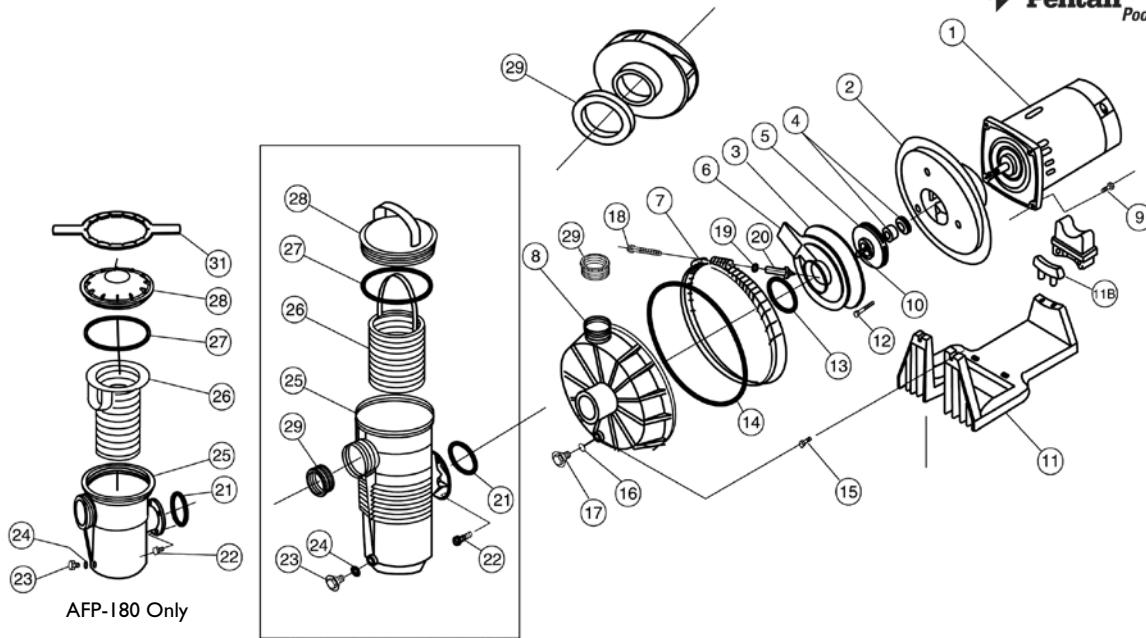


Item No.	Part No.	Qty.	Description	US List	Can. List
BOOSTER PUMP					
1	LA41	1	Pump stand 99, complete with rubber grommets	25.89	29.00
2	LA10NS	1	Motor, 230/115V, 1 ph, 60 hz, 6.5/13 A	CALL	CALL
3	LA295*	1	Seal bracket	107.81	120.75
4	LA136	2-PK	Bolt $\frac{3}{8}$ - 16 x 1- $\frac{1}{4}$ in., 2 req.	CALL	CALL
5	LA135	2-PK	Bolt $\frac{3}{8}$ - 16 x $\frac{3}{4}$ in., 2 req.	CALL	CALL
6	LA415*	1	O-ring for seal bracket	2.94	3.29
7	071734S	1	Seal (PS1000)	23.45	26.26
14	LA05L*	1	Impeller (new style)	33.40	37.41
14	LA02L	1	Impeller (old style)	31.40	35.17
15	LA39534*	1	Volute	133.53	149.55
16	LA115	2-PK	Bolt	2.73	3.06
17	LA125	2-PK	Nut	2.61	2.92
18	LA375*	1	O-ring for drain plug	0.84	0.94
19	EB20*	2-PK	Drain plug	2.56	2.87
NOT SHOWN					
	353020	1	Hose kit: 2 plastic fittings and 1-6 ft white hose. (built after 2005)	37.47	41.97
	LD10	2-PK	Hose washer (built prior to 2005), steel with black hose	1.19	1.33

* Recommended for stock

WaterFall™ Pump

Replacement Parts for Specialty Pumps



Item No.	Part No.	Description	US List	Can. List
WATERFALL PUMPS				
1	355218	Motor, AF-75 & 120, AFP-75 & 120, 37 lbs.	CALL	CALL
1	355222	Motor, AF-180, AFP-150 & 180, 35 lbs.	CALL	CALL
2	355303	Plate, seal, AF-75 & 120, AFP-75 & 120	78.62	88.05
2	355497	Plate, seal, AF-180, AFP-150 & 180	78.62	88.05
3	355317	Plate, mounting AF-75, AFP-75	11.53	12.91
3	355495	Plate, mounting AF-120 & 180, AFP-120, 150 & 180	10.65	11.93
4	354545S	Seal, 5/8 in. mechanical, PS 200	22.14	24.80
5	355544	Impeller AF-75, AFP-75	57.12	63.97
5	355068	Impeller AF-120, AFP-120	42.93	48.08
5	355221	Impeller AF-180, AFP-150 & 180	41.72	46.73
6	355545	Diffuser AF-75, AFP-75	71.99	80.63
6	355069	Diffuser AF-120, AFP-120	28.94	32.41
6	355140	Diffuser AF-180, AFP-150 & 180	38.99	43.67
7	355320	Band, clamp assembly complete	67.02	75.06
8	355302	Housing, front	158.74	177.79
9	354290	Screw, 3/8 in.-16 hex hd., 4 req.	2.05	2.30
10	355389	Screw, impeller locking	1.21	1.36
11	355305	Base, pump ¹	38.26	42.85
11B	355385	Adapter, 5-5/8 in. dia. motor ²	9.77	10.94
12	355334	Screw, No.8-32 x 1 in. AF-75 & 120, AFP-75 & 120, 3 req.	1.21	1.36
12	355141	Screw, No.8-32 x 1-1/2 in. AF-180, AFP-150 & 180	1.24	1.39
13	355331	O-ring, diffuser	1.29	1.44

14	355329	O-ring, front housing	12.98	14.54
15	355335	Screw, 5/16, 18 x 1/2 in. SS hex wsh. hd., (AF models only)	1.21	1.36
16	192115	O-ring, drain plug	0.97	1.09
17	154699	Plug, 1/2 in. drain	3.10	3.47
20	175025	Knob (fits clamp w/captured T-bolt only)	27.21	30.48
21	355330	O-ring, strainer pot flange	1.36	1.52
22	354265	Screw, 5/16 in., 18 hex wsh. hd., 4 req.	1.65	1.85
23	154699	Plug, 1/4 in. drain	3.10	3.47
24	192115	O-ring, drain plug	0.97	1.09
25	355300	Strainer pot AFP-75, AFP-120 & 150	113.11	126.68
25	355900	Strainer pot AFP-180	405.10	453.71
26	355318	Basket, plastic strainer AFP-75 & 120	31.75	35.56
26	355441	Basket, SS strainer AFP-150	146.20	163.74
26	355901	Basket, SS strainer AFP-180	316.95	354.98
27	350013	O-ring, lid AFP-75, AFP-120 & 150	2.38	2.67
27	152509	Seal, lid AFP-180	5.67	6.35
28	355301	Lid, strainer pot AFP-75, AFP-120 & 150	49.80	55.78
28	355902	Lid, strainer pot AFP-180	57.76	64.69
29	355142	Bushing, impeller nose AF-180, AFP-150 & 180	53.27	59.66
31	154527	Wrench, 8-1/2 in., strainer pot AFP-180	22.67	25.39

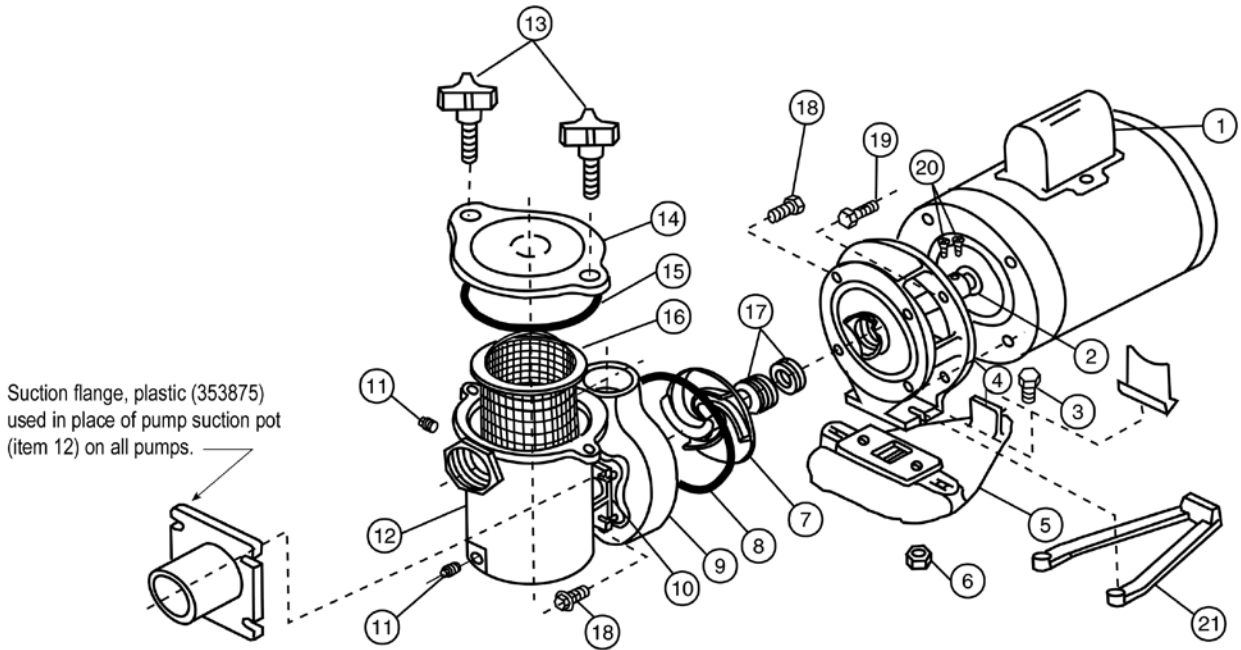
¹ Pump base (item 11) include's dual radius motor support.

² Item 11A, motor support is a replacement part that fits only older style pump bases with rectangular opening.

Product on pages 160-161
Replacement baskets on page 133

Hydropump®

Replacement Parts for Swimming Pool Pumps



Item No.	Part No.	Description	US List	Can. List
HYDROPUMPS				
MOTORS				
1	356400	1/2F 3/4A std. CFR key 115/230, 23 lbs.	CALL	CALL
1	356401	3/4F, 1A std. CFR key 115/230, 23 lbs.	CALL	CALL
1	356402	1F, 1-1/2A std. CFR key 115/230, 25 lbs.	CALL	CALL
1	356403	1-1/2F, 2A std. CFR key 115/230, 33 lbs.	CALL	CALL
1	356404	2F, 2-1/2A std. CFR key 230 only, 31 lbs.	CALL	CALL
1	356405	3F std. CFR key 230 only, 40 lbs.	CALL	CALL
2	353750	Extension, bronze shaft	33.24	37.23
3	354294	Screw, 3/8, 16 x 1-1/4 in. cap, 2 req.	2.08	2.33
4	353775	Bracket seal ¹	81.96	91.80
5	354894	Base, tri-pod pump	27.21	30.48
6	154445	Nut, 3/8, 16 hex, 2 req.	1.65	1.85
7	353043	Impeller, 1/2F, 3/4A, white ²	52.06	58.31
7	353044	Impeller, 3/4F, 1A, no color ²	52.06	58.31
7	353013	Impeller, 1F, 1-1/2A, yellow ²	52.06	58.31
7	353049	Impeller, 1-1/2F, 2A, green ²	52.06	58.31
7	353050	Impeller, 2F, 2-1/2A, red ²	52.06	58.31
7	353220	Impeller, 3F, blue ²	54.46	61.00
8	352626	O-ring, volute	5.94	6.65

Item No.	Part No.	Description	US List	Can. List
9	353912	Volute	210.75	236.04
10	192323	O-ring	4.87	5.45
11	154481	Plug, 1/4 in., drain plug, black	1.29	1.44
12	354125	Pot, 590 plastic strainer	142.01	159.05
12	354127	Pot, 700 plastic strainer	300.94	337.05
13	354280	Knob, pot, 2 req.	13.38	14.99
14	353625	Lid, 590 clear plastic	49.87	55.85
14	353525	Lid, 700 clear plastic	68.90	77.17
14	354114	Lid, 700 strainer pot Baquacil	68.90	77.17
15	352602	O-ring, 590 lid	5.11	5.72
15	352600	O-ring, 700 lid	6.54	7.32
16	352656	Basket w/handle, 590 plastic	12.05	13.50
16	352670	Basket w/handle, 700 plastic	29.10	32.59
17	354001	Seal, 3/4 in. mechanical, PS201	22.14	24.80
18	354265	Screw, 5/16, 18 hex wsh. hd., 8 req.	1.65	1.85
19	354290	Screw, 3/8, 16 x 1 in. SS cap, 4 req.	2.05	2.30
20	354256	Screw, 1/4, 20 x 3/8 in. SS, 2 req.	1.36	1.52
21	154909	Outrigger, motor	9.89	11.08

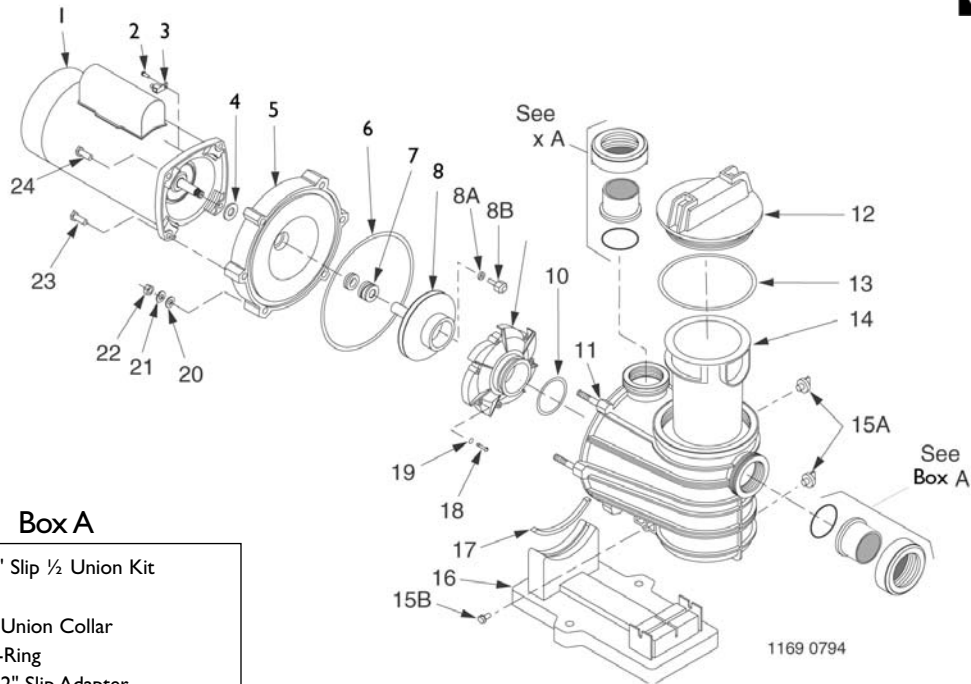
Note: When ordering replacement motor, give all information on motor name plate.

¹ Prior to 1981, use P/N 353728.

² Color coded dots indicate impeller HP.

Dyna-Wave® Series

Replacement Parts



Box A

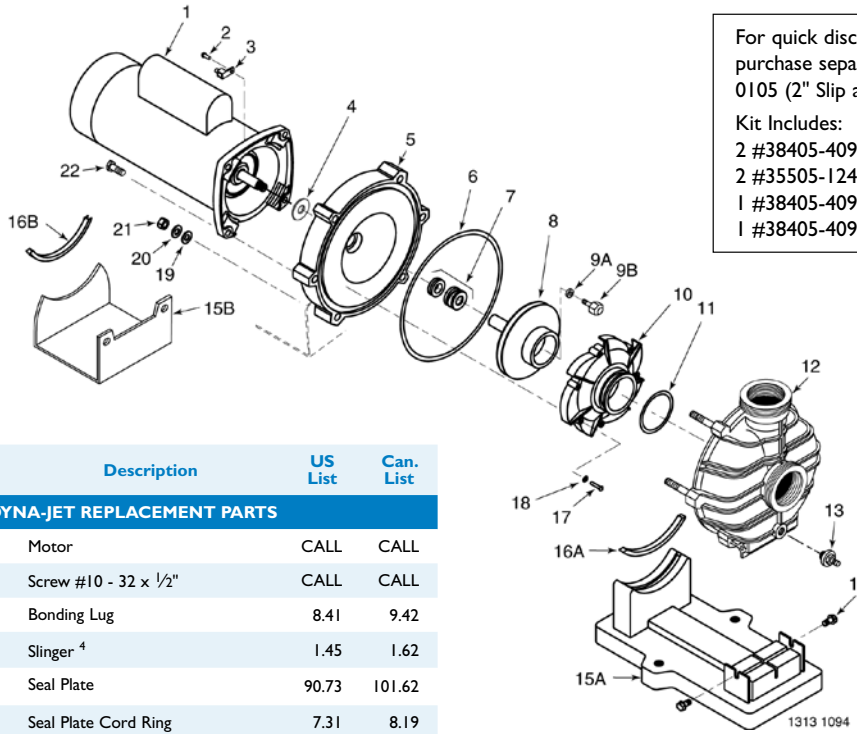
Pkg. 188 2" Slip 1/2 Union Kit
Includes:
U11-200P Union Collar
U9-362 O-Ring
U11-196P 2" Slip Adapter

Item No.	Part No.	Description	US List	Can. List
DYNA-WAVE REPLACEMENT PARTS				
1	62003-2088	Motor, 115/230V 1750 RPM	CALL	CALL
2	U30-692SS	Screw #10 - 32 x 1/2"	CALL	CALL
3	U17-568	Bonding Lug	8.41	9.42
4	C69-2	Slinger	5.39	6.04
5	C3-184P	Seal Plate	90.73	101.62
6	U9-373	Seal Plate Cord Ring	7.31	8.19
7	37400-0027S	Shaft Seal	22.35	25.03
8	C105-236PDA	Impeller	36.63	41.03
9	C1-270P	Diffuser	22.71	25.44
10	U9-374	Diffuser O-Ring	4.50	5.04
11	C76-58P	Tank and Trap Body (Only)	189.02	211.70
12	C3-185P	Trap Cover	47.52	53.22
13	U9-375	Trap Cover O-Ring	12.88	14.43
14	C8-58P	Trap Basket	10.65	11.93
15A	U178-920P	Drain Plug	2.57	2.88
15B	U30-919SS	Mounting Screw 5/16 - 14 x 5/8"	3.37	3.77
16	C4-77P	Base	38.37	42.97
17	C35-45	Motor Pad	3.48	3.90

Item No.	Part No.	Description	US List	Can. List
18	U30-542SS	Screw #8 - 32 x 7/8" Rd. Hd.	1.74	1.95
19	U43-21SS	Lock Washer #8 Ext. Tooth	1.45	1.62
20	U43-62SS	Flat Washer 3/8"	1.45	1.62
21	U43-12SS	Lock Washer 3/8"	2.27	2.54
22	U36-38SS	Nut 3/8-16 Hex	2.14	2.40
23	U30-74SS	Cap Screws 3/8 - 16 x 1" Hex.	3.39	3.80
NOT SHOWN				
	32155-4071	Nameplate	CALL	CALL
	U63-13	Tag, "CAUTION This pump equipped with mechanical shaft seal..."	0.69	0.77
	U27-153	Voltage Sticker	0.72	0.81
	C63-12	Tag, "WARNING/CAUTION/Instructions..."	3.87	4.33

Dyna-Jet™ Series

TPE Series Replacement Parts



For quick disconnect pipe connections, purchase separately Part No. 77703-0105 (2" Slip and 1½" Slip Union Kit).

Kit Includes:
 2 #38405-4094 Union Collars
 2 #35505-1244 O-Ring
 1 #38405-4095 2" Slip Adapter
 1 #38405-4096 1½" Slip Adapter

Item No.	Part No.	Description	US List	Can. List
----------	----------	-------------	---------	-----------

DYNA-JET REPLACEMENT PARTS				
1	See Chart	Motor	CALL	CALL
2	U30-692SS	Screw #10 - 32 x 1/2"	CALL	CALL
3	U17-568	Bonding Lug	8.41	9.42
4	17351-0009	Slinger ⁴	1.45	1.62
5	C3-184P	Seal Plate	90.73	101.62
6	U9-373	Seal Plate Cord Ring	7.31	8.19
7	17351-0101S	Shaft Seal	20.17	22.59
8	See Chart	Impeller	CALL	CALL
9A	33455-1047	Impeller Lock Screw Gasket ¹	5.35	5.99
9B	37337-6080	Impeller Lock Screw ¹	14.88	16.67
10	C1-270P	Diffuser ²	22.71	25.44
11	U9-374	Diffuser O-Ring	4.50	5.04
12	17303-0001	Pump Body (Only)	145.65	163.13
13	U178-920P	Drain Plug	2.57	2.88
14	U30-919SS	Hi-Lo Screw 5/16 - 14 x 5/8"	3.37	3.77
15A	C4-77P	Base - Corrosion Resistant	38.37	42.97
15B	17303-0113	Base - Steel ³	36.16	40.50
16A	C35-45	Motor Pad - for Corrosion Resistant Base	3.48	3.90
16B	C35-5	Motor Pad - for Steel Base ³	19.44	21.77
17	U30-542SS	Screw #8 - 32 x 7/8" Rd. Hd.	1.74	1.95
18	U43-21SS	Lock Washer #8 Ext. Tooth	1.45	1.62
19	U43-62SS	Flat Washer 3/8"	1.45	1.62
20	U43-12SS	Lock Washer 3/8"	2.27	2.54
21	U36-38SSW	Nut 3/8-16 Hex	CALL	CALL
22	U30-74SS	Cap Screws 3/8 - 16 x 1" Hex.	3.39	3.80

NOT SHOWN				
U33-174	Nameplate		CALL	CALL
U27-635	Decal, "Tested for use with spas..."		0.84	0.94
U27-153	Voltage Sticker 115/230 Volts (1-1/2 HP only)		0.72	0.81
U27-68	Voltage Sticker 230 Volts (2, 2-1/2, HP and 3 Ph. only)		0.27	0.30
61002-0004	Decal - "GFCI Required"		CALL	CALL
U9-359	Drain Plug O-Ring		CALL	CALL

Parts are common to all models except as noted:
 Key Nos. 1, Motor; and 8, Impeller, are listed below.

Model No.	HP	Motor No. (Key No. 1)	Impeller (Key No. 8)
115/230/60/1			
TPEAE-165L	1	62003-2025	C105-236PB
TPEAF-166L	1-1/2	AE100FLL	C105-236PC
TPRAF-174L	1-1/2	A100FLL	C105-236PF
230/60/1			
TPEAG-167LS	2	AE100GLL	C105-236PDA
TPRAG-175L	2	A100GLL	C105-236PGA
TPEAAG-168LS	2-1/2	AE100G5LL	C105-236PEA
230/60/1 (2 Speed)			
TPRAYF-174S	1-1/2	A100FLL-Y	C105-236PF
TPEAYG-175L	2	AE100GLL-Y	C105-236PGAB
TPEAYG-175LS	2	AE100GLL-Y	C105-236PGAB
TPEAYG-167LS	2	AE100GLL-Y	C105-236PDA
TPEAAYG-168L	2-1/2	AE100G5LL-Y	C105-236PHA
TPEAAYG-168LS	2-1/2	AE100G5LL-Y	C105-236PHA

¹ Models TPEAG-167L, TPEAAG-168L, and TPRAG-167L only.

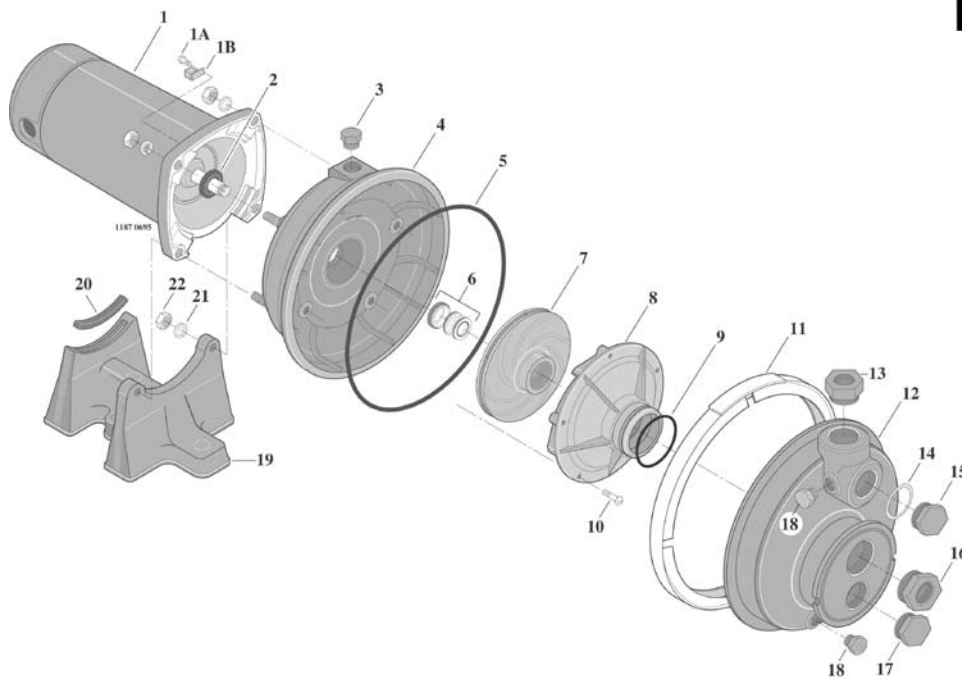
² Model TPEAE-165L and TPRAE3-165 use Part No. C1-270PC.

³ Models with LS suffix only.

⁴ Replaces C69-24 (effective 9/00).

PLBC Series

Replacement Parts



Item No.	Part No.	Description	US List	Can. List
PLBC REPLACEMENT PARTS				
1	A100CHL	Motor 115/230V/60H/1 Ph.	CALL	CALL
1A	U30-692SS	Screw, 10 - 32 x 1/2"	CALL	CALL
1B	U17-568	Lug, Bonding	8.41	9.42
2	I7351-0009	Slinger ¹	1.45	1.62
3	WC78-39T	Pipe Plug, 1/2" NPT	5.64	6.32
4	L176-47P	Tank Body - Back Half	83.82	93.88
5	U9-389	O-Ring	10.77	12.06
6	U109-93SS	Shaft Seal (Pre-1995)	17.99	20.15
6	I7351-0102S	Shaft Seal	22.86	25.60
7	J105-8PACN	Impeller	59.37	66.49
8	J1-40P	Diffuser	47.48	53.18
9	U9-199	O-Ring, Diffuser	2.52	2.82
10	U30-542SS	Screw, 10 - 32 x 7/8"	1.74	1.95
11	C19-54SS	Clamp, Tank Body	70.18	78.60
12	L76-37P	Tank Body - Front Half	167.82	187.96
13	U78-118P	Reducer Bushing, 1" x 3/4"	5.22	5.85
14	L20-40	Gasket	2.69	3.01
15	L23-4PI	Bushing	6.64	7.44

Item No.	Part No.	Description	US List	Can. List
16	U78-123PT	Reducer Bushing, 1 1/4" x 3/4"	10.41	11.66
17	U78-830PT	Pipe Plug, 1" NPT	8.29	9.28
18	WC78-40T	Pipe Plug, 1/4" NPT	2.57	2.88
19	C4-42P	Base	34.47	38.61
20	C35-11	Motor Pad	2.49	2.79
21	U43-11SS	Lockwasher	1.74	1.95
22	U36-37SS	Nut, Hex 5/16" - 18	CALL	CALL
NOT SHOWN				
	J3-2	Insert (Pre-1995)	10.34	11.58
	J104-9C	Base (Pre-1995)	33.73	37.78
	C35-5	Motor Pad (Pre-1995)	19.44	21.77
	WC78-41T	Pipe Plug, 1/8" NPT	2.94	3.29

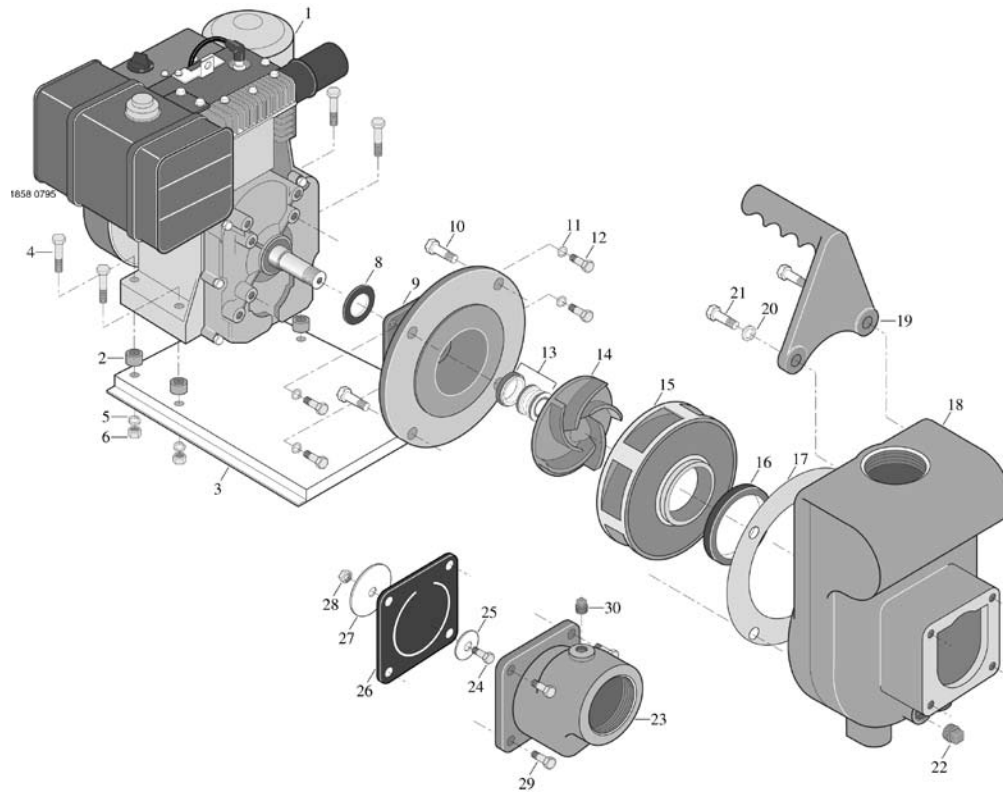
¹ Replaces C69-2 (effective 9/00).

Gas Engine Self Priming Centrifugal Pump

ED Series Replacement Parts



MODEL EDPH-29R



Item No.	Part No.	Description	US List	Can. List	Item No.	Part No.	Description	US List	Can. List
ED SERIES REPLACEMENT PARTS									
1	U277-24R	Gas Engine - 3 HP ¹	CALL	CALL	14	C5-60	Impeller	83.82	93.88
2	C43-20	Engine Pads	CALL	CALL	15	C1-51	Volute Diffuser	103.92	116.39
3	C104-9	Pump Base	61.80	69.22	16	C21-2	Diffuser Ring	4.48	5.02
4	U30-665FTZP	Capscrew, 5/16 - 18 x 1 3/4"	CALL	CALL	17	C20-21	Gasket	3.94	4.41
5	U43-11ZP	Lockwasher	CALL	CALL	18	C76-1	Tank Body w/Capscrews	287.36	321.84
6	U36-37ZP	Nut, Hex 5/16 - 18	CALL	CALL	19	C54-9	Handle	CALL	CALL
8	17351-0009	Water Slinger	1.45	1.62	20	U43-12ZP	Lockwasher, 3/8"	1.23	1.38
9	C2-14B	Adapter	113.79	127.44	21	U30-74ZP	Capscrew, 3/16 - 16 x 1"	1.98	2.22
10	U30-72SS	Capscrew, 3/8 - 16 x 3/4"	3.39	3.80	22	U78-57SSS	Pipe Plug, 1/4" NPT	6.76	7.57
11	U43-11ZP	Lockwasher	CALL	CALL	29	U30-60SS	Capscrew, 5/16 - 18 x 3/4"	3.00	3.36
12	U30-777ZP	Capscrew, 5/16 - 24 x 7/8"	CALL	CALL					
13	U109-106SS	Shaft Seal	32.49	36.39					

¹ For repair service to engines, always give the engine model number and any other data found on the engine model plate or stamped on engine housing.

Submersible Swimming Pool Drainer

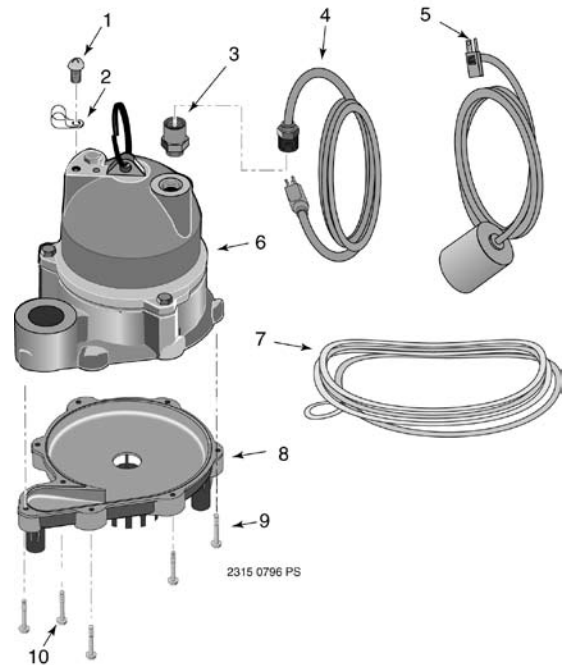
Replacement Parts



MODEL DC250120T DC250120T - G

Item No.	Part No.	Description	US List	Can. List
SWIMMING POOL DRAINER REPLACEMENT PARTS				
1	U30-539SS	Screw, #8-1/2" self-tapping	2.15	2.41
2	CC0030-13	Cable Clamp	2.06	2.31
3	PSI7-46P	Cord Connector	6.83	7.65
4	PW17-122	Power Cord - 20' - Model DC250120T	70.18	78.60
5	PSI7-111	Float Switch	86.15	96.49
7	U97-21A	Rope - 24'	25.56	28.63
8	PSI-34P	Lower Pump Body	28.00	31.36
9	U30-966SS	Lower Pump Body Screw #10 - 32 x 1" Hex Washer, self-tapping	0.89	1.00
10	U30-967SS	Lower Pump Body Screw #10 - 32 x 1/8" Hex Washer, self-tapping	2.06	2.31

¹ If motor fails, replace entire pump.



Submersible Swimming Pool Drainer

Replacement Parts



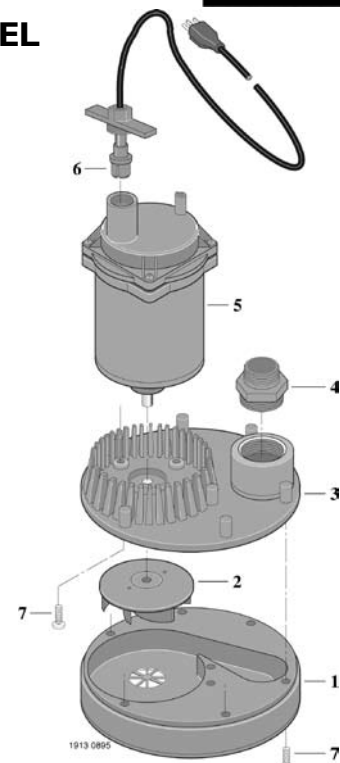
MODEL PSD3

Item No.	Part No.	Description	US List	Can. List
PSD3 SERIES REPLACEMENT PARTS				
1	FP0005797A	Lower Pump Body	6.36	7.12
2	FT1074	Impeller	CALL	CALL
3	FP0005796A	Upper Pump Body	6.36	7.12
4	FT0013-43	Garden Hose Adapter	5.56	6.23
6	OV-ELCOR8	Power Cord	58.16	65.14
NOT SHOWN				
	FP003414S	Service Kit (PSD - I Cyclone Only)	CALL	CALL
	RP4940-21	Pump Head Assembly (PSD - I Cyclone Only)	CALL	CALL
	FP003415S	Brush Kit (PSD - I Cyclone Only)	CALL	CALL

¹ Standard hardware item, purchase locally.

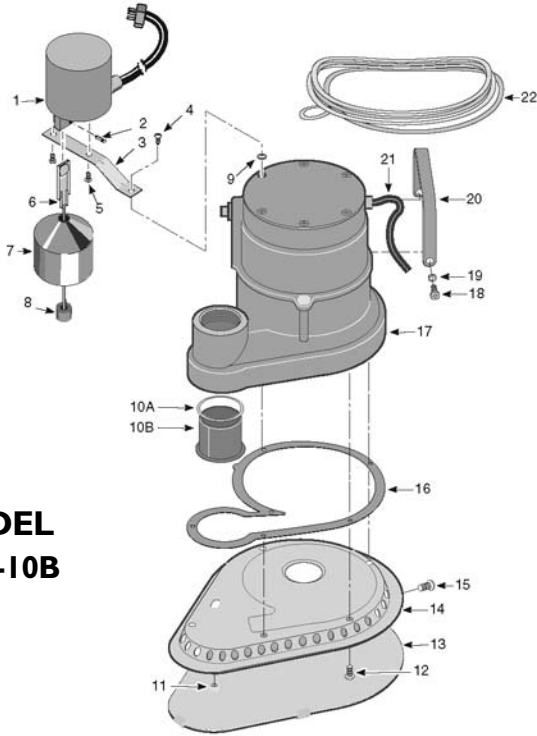
² If motor fails, replace entire pump.

NOTE: PSD-2 Typhoon is not consumer serviceable.



Submersible Swimming Pool Drainer

Replacement Parts



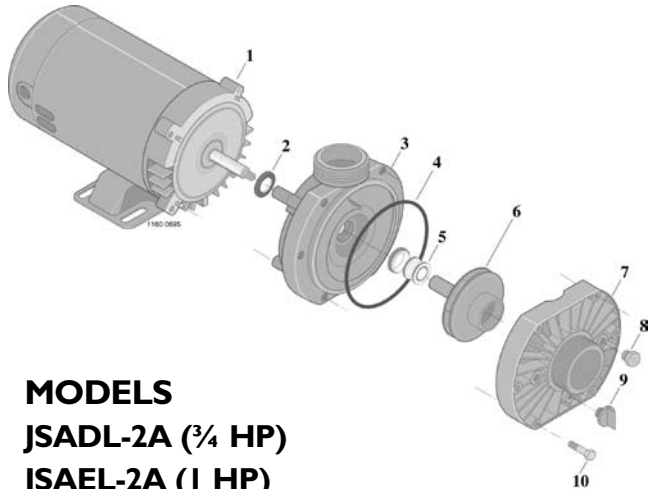
**MODEL
PCD-10B**

Product on page 209

Item No.	Part No.	Description	US List	Can. List
SWIMMING POOL DRAINER REPLACEMENT PARTS				
1	PS17-89	Switch (Incl. Key Nos. 2-9)	CALL	CALL
2	PS30-3	Pin	CALL	CALL
3	PS19-101SS	Bracket	CALL	CALL
4	U30-539	Screw	CALL	CALL
5	U30-955SS	Screw	CALL	CALL
6	PS28-17	Float Rod	CALL	CALL
7	PS28-18	Float	CALL	CALL
8	RP0005248	Rubber Rod Stop	CALL	CALL
9	RP0001616	Rubber Gasket	CALL	CALL
10A	PS43-10	Retainer Ring	4.01	4.49
10B	PS20-12	Check Valve	8.08	9.05
11	U36-129DN	Locknut, 8-32	CALL	CALL
12	U30-539SS	Machine Screw 8-32x1/2"	2.15	2.41
13	PS4-11D	Base Plate Cover	82.03	91.87
14	PS4-9D	Base Plate	98.63	110.47
15	U30-692SS	Machine Screw 10x1/2"	CALL	CALL
16	PS20-22	Gasket	2.41	2.7
18	U30-694SS	Screw, 1/4-20x1/2"	CALL	CALL
19	PS43-15	Spacer	CALL	CALL
20	PSS4-11	Handle	12.65	14.17
21	U17-505	Cord	40.38	45.23
22	U97-21A	Rope - 24 Feet	25.56	28.63

Dura-Jet™ Spa Pump

JS Series Replacement Parts



**MODELS
JSADL-2A (3/4 HP)
JSAEL-2A (1 HP)**

Item No.	Part No.	Description	US List	Can. List
DURA-JET SPA PUMP REPLACEMENT PARTS				
1	AS920DLL	Motor 115V/60H/1 Ph. - Model JSADL-2A	CALL	CALL
1	AS920ELL	Motor 115V/60H/1 Ph. - Model JSAEL-2A	CALL	CALL
2	C69-23	Slinger	2.28	2.55
3	C1-260P	Seal Plate	52.40	58.69
4	35505-1438	O-Ring ²	6.96	7.80
5	37400-0027S	Seal ¹	22.35	25.03
6	C105-228PE	Impeller - Model JSADL-2A	43.09	48.26
6	C105-228PF	Impeller - Model JSAEL-2A	43.09	48.26
7	C101-262P	Front Plate	67.54	75.64
8	WC78-40T	Pipe Plug, 1/4" NPT	2.57	2.88
9	U178-920P	Drain Plug w/O-Ring	2.57	2.88
10	30787-0005	Capscrew, 1/4 - 20 x 1 3/4"	3.60	4.03
NOT SHOWN				
	U9-359	Drain Plug O-Ring	CALL	CALL
	C198-2	Union Half Package	38.58	43.21

¹ Replaces U109-358SS (effective 1/01).

² Replaces U9-357 (effective 11/01).

Dura-Jet™ Spa Pump

JS Series Replacement Parts



1/2 HP Models:

JSACL-A

JSACL-C

3/4 HP Models:

JSADL-A

JSADL-C

3/4 HP/2 Speed Models:

JSAYDL-230A

JSAYDL-A

JSAYDL-C

1 HP Models:

JSACL-230A

JSACL-A

JSACL-C

1 HP/2 Speed Models:

JSAYELC-A

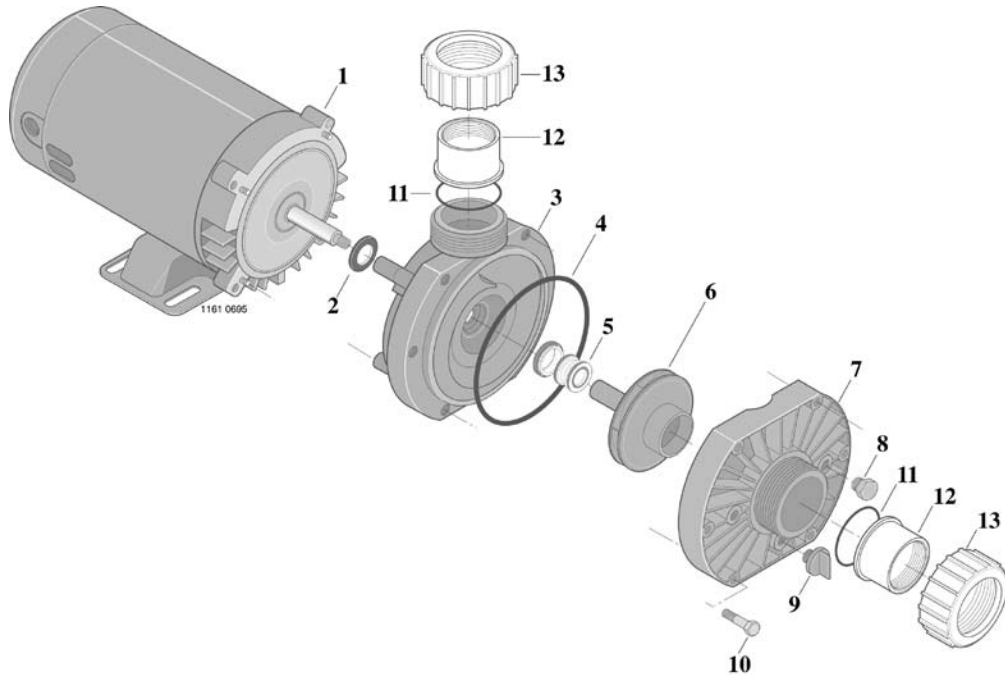
JSAYEL-230A

JSAYEL-A

JSAYEL-C

1-1/2 HP Models:

JSAYFL-230A



Item No.	Part No.	Description	US List	Can. List
JS SERIES PUMPS				
1	AS900CLL	Motor 115V/60H/1 Ph. (-A) - 1/4 HP	CALL	CALL
1	AS900DLL-Y	Motor 115V/60H/1 Ph. (-A) 3/4 HP/2 Speed	CALL	CALL
1	AS900ELL-Y	Motor 115V/60H/1 Ph. (-A) 1 HP/2 Speed	CALL	CALL
1	AS923DL	Motor 230V/60H/1 Ph. - 3/4 HP	CALL	CALL
1	AS923EL	Motor 230V/60H/1 Ph. - 1 HP	CALL	CALL
2	C69-23	Slinger	2.28	2.55
3	C1-260P	Seal Plate	52.40	58.69
4	35505-1438	O-Ring ²	6.96	7.80
5	37400-0027S	Seal ¹	22.35	25.03
6	CI05-228PC	Impeller - 1/2 HP	44.30	49.62

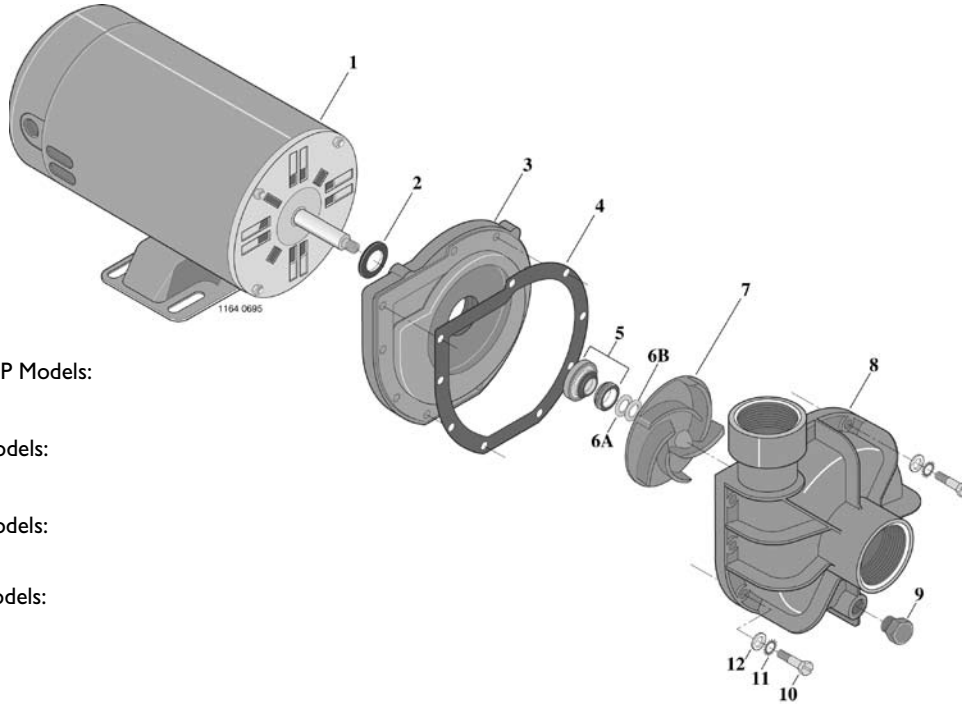
Item No.	Part No.	Description	US List	Can. List
6	CI05-228PB	Impeller - 3/4 HP, 3/4 HP/2 Speed	44.30	49.62
6	CI05-228P	Impeller - 1 HP	33.08	37.05
7	CI01-262P	Front Plate	67.54	75.64
8	WC78-40T	Pipe Plug, 1/4", NPT	2.57	2.88
9	U178-920P	Drain Plug W/ O-Ring	2.57	2.88
10	30787-0005	Capscrew, 1/4 - 20 x 1-3/4"	3.60	4.03
11	U9-226	O-Ring	1.74	1.95
12	U11-183PM	Adapter, Union	9.27	10.38
13	U11-182PM	Collar, Union	11.48	12.86
NOT SHOWN				
	U9-359	Drain Plug O-Ring	CALL	CALL

¹ Replaces U109-358SS (effective 1/01).

² Replaces U9-357 (effective 11/01).

LT Series

Replacement Parts



3/4 - 1/8 HP Models:
LTAYDRL

1/8 HP Models:
LTI1/6L

1/2 HP Models:
LTA CL

3/4 HP Models:
LTADL

Item No.	Part No.	Description	US List	Can. List	Item No.	Part No.	Description	US List	Can. List
LT SERIES PUMPS					NOT SHOWN				
1	A800DLL-Y	Motor 115V/60H/1 Ph. ¹ - 3/4-1/8 HP	CALL	CALL	8	C101-247P	Volute	59.12	66.21
1	A800A16L	Motor 115V/60H/1 Ph. ¹ - 1/8 HP	CALL	CALL	9	WC78-40T	Pipe Plug, 1/4" NPT	2.57	2.88
1	A800CL	Motor 115V/60H/1 Ph. ¹ - 1/2 HP	CALL	CALL	10	U30-871SS	Capscrew, 10 x 5/8"	1.45	1.62
1	A800DL	Motor 115V/60H/1 Ph. ¹ - 3/4 HP	CALL	CALL	11	U43-22SS	Lockwasher	1.48	1.66
2	C69-7	Slinger	2.04	2.28	12	U43-113SS	Washer, Flat	1.45	1.62
3	C1-84P2	Seal Plate	117.36	131.44					
4	C20-31B	Gasket	10.67	11.95					
5	U109-68SS	Shaft Seal	37.32	41.80					
6A	C43-21D	Shim, (.010 Thick) As Required	1.97	2.21					
6B	C43-22D	Shim, (.029 Thick) As Required	2.27	2.54					
7	C5-175P	Impeller - 3/4-1/8 HP	40.64	45.52					
7	C5-151P2	Impeller - 1/8 HP	49.59	55.54					
7	C5-151P1	Impeller - 1/2 HP	26.09	29.22					
7	C5-175P	Impeller - 3/4 HP	40.64	45.52					
								¹ For SK110 or SK220 Series Cabinet Spa, order Motor No. C218-221E.	

Dura-Jet™ Tub Pump

JT Series Replacement Parts

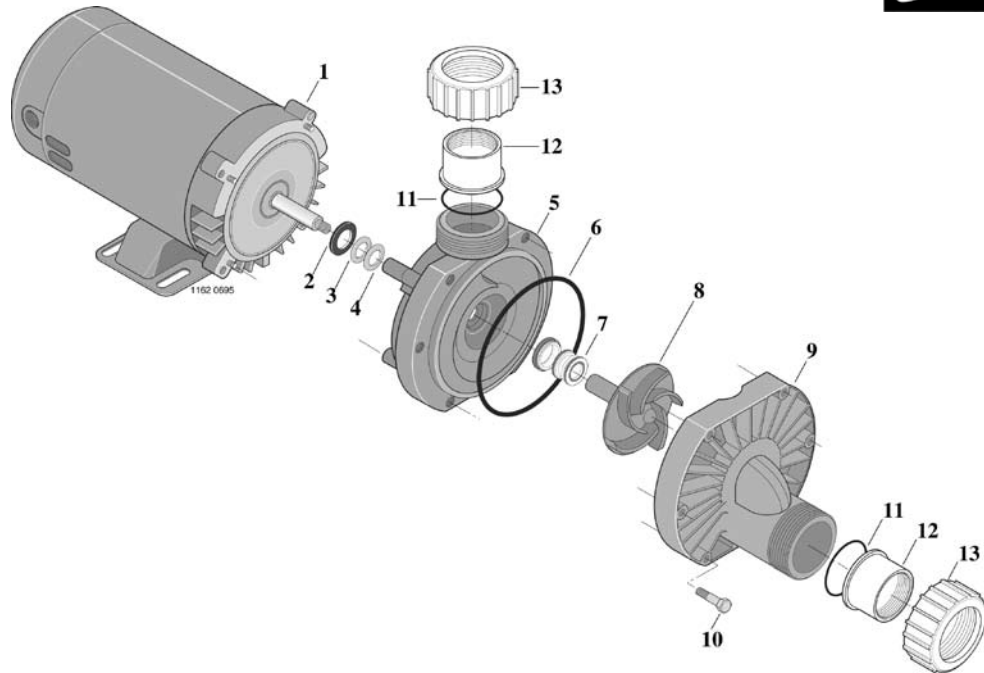


½ HP Models:
JTACL-A
JTACL-AA

¾ HP Models:
JTADLC-2A
JTADL-A, -2A
JTADL-AA
JTADL-220AA
JTAD-230A

1 HP
JTALC-2A
JTAL-A, -2A
JTAL-AA
JTAL-220AA
JTAL-230A

1-½ HP Models:
JTALC-2A
JTAL-2A



Item No.	Part No.	Description	US List	Can. List	Item No.	Part No.	Description	US List	Can. List
JT SERIES PUMPS									
1	AS900CLL	Motor 115V/60H/1 Ph. (-A, -AA) ½ HP	CALL	CALL	8	C5-228PC	Impeller - ½ HP	28.32	31.72
1	AS920DLL	Motor 115V/60H/1 Ph. (-A, -AA) ¾ HP	CALL	CALL	8	C5-228PB	Impeller - ¾ HP	28.32	31.72
1	AS920ELL	Motor 115V/60H/1 Ph. (-A, -AA) 1 HP	CALL	CALL	8	C5-229P	Impeller - 1 HP	28.02	31.38
1	AS920FLL	Motor 115V/60H/1 Ph. (-2A) 1-½ HP	CALL	CALL	8	17301-0001	Impeller - 1-½ HP	CALL	CALL
1	AS923DL	Motor 230V/60H/1 Ph. (-230A) ¾ HP	CALL	CALL	9	CI-261P	Front Plate	73.97	82.85
1	AS923EL	Motor 230V/60H/1 Ph. (-230A) 1 HP	CALL	CALL	10	30787-0005	Capscrew, ¼ - 20 x 1-¾"	3.60	4.03
2	C69-23	Slinger	2.28	2.55	11	U9-226	O-Ring, Union	1.74	1.95
3	C43-21D	Impellar Shim. (.10) ¹	1.97	2.21	12	U11-183PM	Adapter, Union	9.27	10.38
4	C43-22D	Impellar Shim. (.0299) ¹	2.27	2.54	13	U11-182PM	Collar, Union	11.48	12.86
5	CI-260P	Seal Plate	52.40	58.69	NOT SHOWN				
6	3550S-1438	O-Ring ³	6.96	7.80	62002-0001	Air Switch - ¼ HP, ¾ HP, 1 HP	141.15	158.09	
7	37400-0027S	Seal ²	22.35	25.03					

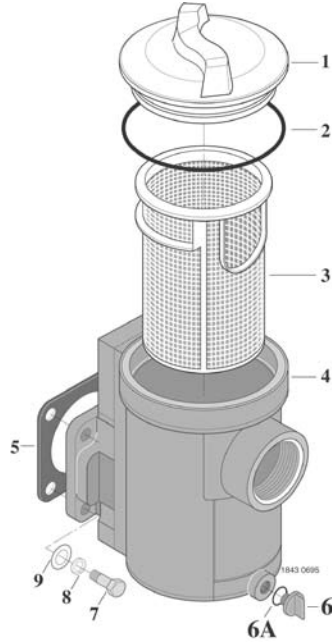
¹ As needed for proper impeller spacing.

² Replaces U109-358SS (effective 1/01).

³ Replaces U9-357 (effective 11/01).

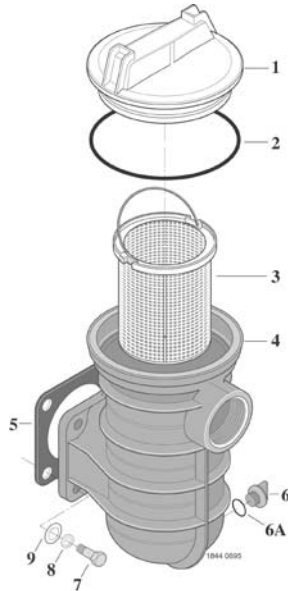
Plastic Suction Trap Assembly

Package No 161 - 6" Replacement Parts



Item No.	Part No.	Description	US List	Can. List
PKG. 181 6" TRAP REPLACEMENT PARTS				
1	I6920-0011	Lid	CALL	CALL
2	I6920-0012	O-Ring	15.71	17.60
3	I6920-0017	Strainer Basket	22.71	25.44
4	C253-58P	Trap and Adapter Assembly	227.43	254.72
5	C20-123	Gasket	6.93	7.76
6	U178-920P	Drain Plug, 1/4" NPT	2.57	2.88
6A	U9-359	O-Ring	CALL	CALL
7	U30-64SS	Capscrew, 5/16 - 18 x 1 1/4"	3.11	3.48
8	U43-11SS	Lockwasher, 5/16"	1.74	1.95
9	U43-41SS	Washer, 5/16" Flat	1.70	1.90
NOT SHOWN				
	C2-82P	Adapter Bracket	CALL	CALL
	U9-285	Adapter O-Ring	3.37	3.77

Package No 115 - 5" Replacement Parts



Item No.	Part No.	Description	US List	Can. List
PKG. 115 5" TRAP REPLACEMENT PARTS				
1	C3-139PI	Cover	44.61	49.96
1A	C3-139P3	Cover (Biguanide Resistant)	57.66	64.58
2	U9-229	O-Ring, Cover	10.41	11.66
3	CI08-33P	Strainer Basket*	9.86	11.04
4	CI53-53PI	Trap Body	85.94	96.25
5	C20-123	Gasket	6.93	7.76
6	U178-920P	Pipe Plug, 1/4" NPT	2.57	2.88
6A	U9-359	O-Ring	CALL	CALL
7	U30-64SS	Capscrew, 5/16 - 18 x 1 1/4"	3.11	3.48
8	U43-11SS	Lockwasher	1.74	1.95
9	U43-41SS	Washer, Flat	1.70	1.90
NOT SHOWN				
	I7304-0161	Fine Mesh Bag	16.75	18.76
	PKG115	Complete Suction Trap Assembly	CALL	CALL

Cast Iron Suction Trap Assembly

Replacement Parts



Item No.	Part No.	Description	US List	Can. List
PKG. 51 6" TRAP REPLACEMENT PARTS				
1	C154-18D	Handle Assembly ¹	26.92	30.15
2	C3-30	Cover	61.38	68.75
3	U9-46	Cord Ring	9.84	11.02
4	C108-11P	Strainer Basket	25.55	28.62
5	C53-5B	Trap Body	201.66	225.86
6	U78-57DT	Pipe Plug, 1/4" NPT	3.11	3.48
7	C20-19	Gasket	2.27	2.54

Item No.	Part No.	Description	US List	Can. List
PKG. 98 8" TRAP REPLACEMENT PARTS				
1	C154-18D	Handle Assembly ¹	26.92	30.15
2	C3-105	Cover	150.45	168.50
3	U9-171	Cord Ring	13.17	14.75
4	I6401-0030	Strainer Basket	319.74	358.11
5	C53-21	Trap Body	614.90	688.69
6	U78-57DT	Pipe Plug, 1/4" NPT	3.11	3.48
7	C20-19	Gasket	2.27	2.54

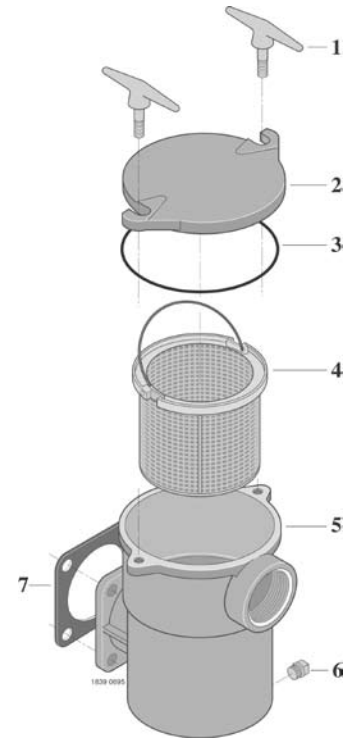
Item No.	Part No.	Description	US List	Can. List
PKG. 74 11" TRAP REPLACEMENT PARTS				
1	C154-18D	Handle Assembly ¹	26.92	30.15
2	C3-76	Cover	205.53	230.19
3	U9-105	Cord Ring	CALL	CALL
4	C108-25SS	Strainer Basket	CALL	CALL
5	-	Trap Body	CALL	CALL
6	U78-57DT	Pipe Plug, 1/4" NPT	3.11	3.48
7	C20-19	Gasket	2.27	2.54

PACKAGE

No. 51

No. 98

No. 74



¹ 6" - Pkg. 51 has 2 each; 8" - Pkg. 98 has 4 each; 11" - Pkg. 74 has 4 each.

Item No.	Part No.	Description	US List	Can. List
STANDARD FLANGE REPLACEMENT PARTS				
1	I6401-0010	Strainer Body (Pkg. 184, 184E)	2638.21	2954.80
1	I6401-2015	Strainer Body (Pkg. 184C, 184CE) ¹	4287.04	4801.48
2	35857-0031	Spring Pin	13.76	15.41
3	30767-0011	Toggle Bolt	227.43	254.72
4	35404-0319	Wing Nut	57.43	64.32
5	I6401-0102	Strainer Basket	1045.11	1170.52
6	35505-0421	O-Ring	71.15	79.69
7	I6401-0210	Strainer Cover (Pkg. 184, 184E)	567.38	635.47
7	I6401-2215	Strainer Cover (Pkg. 184C, 184CE) ¹	1221.81	1368.43
8	U78-59D	Pipe Plug, 1/2" Square Head Brass	7.58	8.49

NOT SHOWN				
	33450-8041	Gasket, 6" Pipe Flange	19.35	21.67
	I6830-0401	Hardware Kit (includes 16 each 3/4" lockwashers, 3/4-10x2" Capscrews)	171.72	192.33
	61002-0012	Tag, Hazardous Suction	CALL	CALL

¹ Epoxy coated.

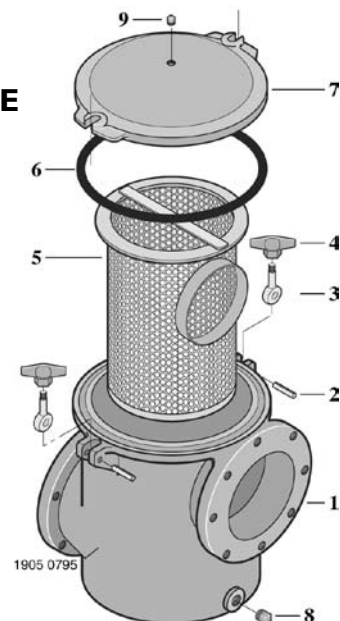
PACKAGE

No. 184

No. 184C

No. 184E

No. 184CE

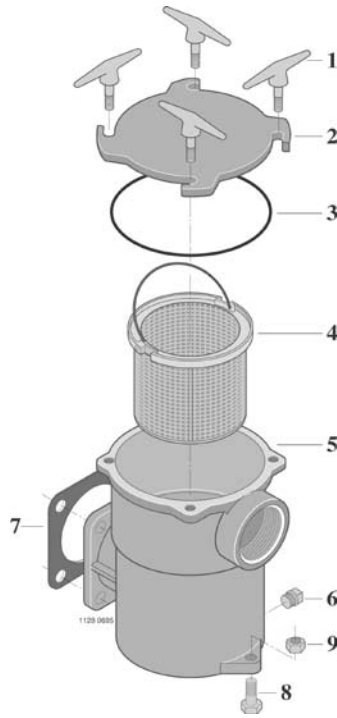


Bronze Suction Trap Assembly

Replacement Parts



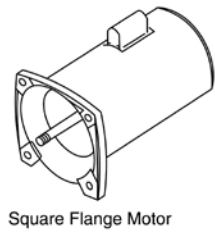
**PACKAGE
No. 56
No. 99**



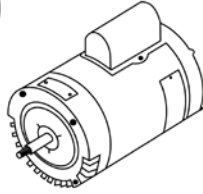
Item No.	Part No.	Description	US List	Can. List
BRONZE TRAP REPLACEMENT PARTS				
1	C154-18D	Lock Handle Assembly	26.92	30.15
2	C3-78D	Cover (Pkg. 56)	172.55	193.26
2	C3-105D	Cover (Pkg. 99)	477.48	534.78
3	U9-46	O-Ring (Pkg. 56)	9.84	11.02
3	U9-171	O-Ring (Pkg. 99)	13.17	14.75
4	C108-11P	Strainer Basket (Pkg. 56)	25.55	28.62
4	I6401-0030	Strainer Basket (Pkg. 99)	319.74	358.11
5	C53-5D	Suction Trap Body (Pkg. 56)	698.71	782.56
5	C53-21D	Suction Trap Body (Pkg. 99)	2304.58	2581.13
6	U78-57DT	Pipe Plug, 1/4" NPT	3.11	3.48
7	C20-19	Gasket, Flange	2.27	2.54
8	U30-77SS	Capscrew, 3/8 - 16 x 1 3/4"	4.55	5.10
9	U36-38ZP	Nut, Hex 3/8 - 16	1.62	1.81

Motors

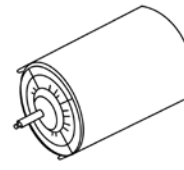
Replacement Parts



Square Flange Motor



NEMA "C" Motor



Through Bolt Motor

Part No.	Description	US List	Can. List
SQUARE FLANGE MOTORS, SINGLE SPEED STD., 60Hz			
355371S	1/2 HP F, 3/4A, 115/230 Volt, black	CALL	CALL
075232S	1/2 HP F, 3/4A, 115/230 Volt, almond	CALL	CALL
355339S	3/4 HP F, 1A, 115/230 Volt, black	CALL	CALL
075233S	3/4 HP F, 1A, 115/230 Volt, almond	CALL	CALL
355340S	1 HP F, 1/2A, 115/230 Volt, black	CALL	CALL
075234S	1 HP F, 1/2A, 115/230 Volt, almond	CALL	CALL
355342S	1-1/2 HP F, 2A, 115/230 Volt, black	CALL	CALL
075235S	1-1/2 HP F, 2A, 115/230 Volt, almond	CALL	CALL
075236S	2 HP F, 2-1/2A, 230 Volt, almond	CALL	CALL
355702S	2 HP F, 2-1/2A, 230 Volt, black	CALL	CALL
075237S	3 HP F, 230 Volt, almond	CALL	CALL
355703S	3 HP F, 230 Volt, black	CALL	CALL
SQUARE FLANGE MOTORS, SINGLE SPEED, ENERGY EFFICIENT, 50Hz			
355513S	3/4 HP, 120/240 Volt	CALL	CALL
355514S	1 HP, 120/240 Volt	CALL	CALL
355515S	1-1/2 HP, 240 Volt	CALL	CALL
355516S	2 HP, 240 Volt	CALL	CALL
355517S	3 HP, 240 Volt	CALL	CALL
SQUARE FLANGE MOTORS, SINGLE SPEED, ENERGY EFFICIENT, 60Hz			
355391S	3/4 HP F, 1A, 115/208/230 Volt, black	CALL	CALL
071313S	3/4 HP F, 1A, 115/208/230 Volt, almond	CALL	CALL
355392S	1 HP F, 1-1/2A, 115/208/230 Volt, black	CALL	CALL
071314S	1 HP F, 1/2A, 115/208/230 Volt, almond	CALL	CALL
356626S	1 HP F, 1/2A, 115/208/230 Volt, almond	CALL	CALL
355393S	1-1/2 HP F, 2A, 208/230 Volt, black	CALL	CALL
071315S	1-1/2 HP F, 2A, 208/230 Volt, almond	CALL	CALL
355394S	2 HP F, 2-1/2A, 208/230 Volt, black	CALL	CALL
071316S	2 HP F, 2-1/2A, 208/230 Volt, almond	CALL	CALL
355395S	3 HP F, 208/230 Volt, black	CALL	CALL
071317S	3 HP F, 208/230 Volt, almond	CALL	CALL
355705S	5 HP F, 208/230 Volt	CALL	CALL
SQUARE FLANGE MOTORS, TWO SPEED, 60 Hz			
355375S	3/4 HP F, 1A, 115 Volt, black	CALL	CALL
355232S	3/4 HP F, 1A, 230 Volt, black	CALL	CALL
355376S	1 HP F, 1/2A, 230 Volt, black	CALL	CALL
355377S	1-1/2 HP F, 2A, 230 Volt, black	CALL	CALL
355378S	2 HP F, 2-1/2A, 230 Volt, black	CALL	CALL
356630S	1 HP F, 1/2A, 230 Volt, almond	CALL	CALL
071320S	1-1/2 HP F, 2A, 230 Volt, almond	CALL	CALL
071321S	2 HP F, 2-1/2A, 230 Volt, almond	CALL	CALL

Part No.	Description	US List	Can. List
SQUARE FLANGE MOTORS, 3 PHASE, ENERGY EFFICIENT, 60 Hz			
355201S	1/2 HP F, 208/230 Volt, black	CALL	CALL
356626S	1 HP F, 208/230/460 Volt, almond	CALL	CALL
355203S	1 HP F, 208/230 Volt, black	CALL	CALL
356627S	1-1/2 HP F, 208/230/460 Volt, almond	CALL	CALL
355204S	1-1/2 HP F, 208/230 Volt, black	CALL	CALL
356628S	2 HP F, 208/230/460 Volt, almond	CALL	CALL
355205S	2 HP F, 208/230 Volt, black	CALL	CALL
356629S	3 HP F, 208/230/460 Volt, almond	CALL	CALL
355398S	3 HP F, 208/230/460 Volt, black	CALL	CALL
355704S	5 HP F, 208/230/460 Volt, black	CALL	CALL
FULL RATED NEMA "C" MOTORS, 60 Hz, BLACK			
39610200S	1/2 HP, 115/230 Volt	CALL	CALL
39611300S	3/4 HP, 115/230 Volt	CALL	CALL
39612400S	1 HP, 115/230 Volt	CALL	CALL
39613600S	1-1/2 HP, 115/230 Volt	CALL	CALL
THROUGH BOLT MOTORS, SINGLE SPEED STD., 60 Hz, BLACK			
356470S	1/2 HP, 3/4 SPL, 115 Volt, w/o switch	CALL	CALL
356597S	3/4 HP, 1 SPL, 115 Volt, w/switch	CALL	CALL
356497S	3/4 HP, 1 SPL, 115 Volt, w/o switch	CALL	CALL
356436S	3/4 HP, CSA, 115 Volt, w/o switch	CALL	CALL
356595S	1 HP, 1-1/2 SPL, 115 Volt, w/switch	CALL	CALL
356495S	1 HP, 1-1/2 SPL, 115 Volt, w/o switch	CALL	CALL
356437S	1 HP, CSA, 115 Volt, w/o switch	CALL	CALL
356469S	1-1/2 HP, 2 SPL, 115/230 Volt, w/o switch	CALL	CALL
356440S	1-1/2 HP, CSA, 115 Volt, w/o switch	CALL	CALL
39610300S	2 HP, 115/230 Volt	CALL	CALL
THROUGH BOLT MOTORS, TWO SPEED, STANDARD, 60 Hz, BLACK			
39607200S	1/2 HP, 115 Volt	CALL	CALL
356485S	3/4 HP, 115 Volt	CALL	CALL
356550S	3/4 HP, 1 SPL, 115 Volt, w/switch	CALL	CALL
356551S	1 HP, 1-1/2 SPL, 115 Volt, w/switch	CALL	CALL
39607600S	1-1/2 HP, 230 Volt	CALL	CALL
39610600S	2 HP, 230 Volt	CALL	CALL

