

Lighting

Lighting for Swimming Pools,
Spas and Landscapes



IntelliBrite® 5g Color LED

Underwater LED Lights for Swimming Pools and Spas

Featured Highlights

- A superior reflector design assures more light is directed toward the pool bottom to further increase intensity and color effects, while minimizing glare
- Superior lens geometry distributes light in an optimum way to avoid “hot spots” on the pool bottom. Light intensity and color are distributed more uniformly throughout your pool
- Lens can be rotated to 180 degrees to provide wide beam pattern (standard) or narrow beam pattern.
- IntelliBrite technology makes use of the brightest and most energy efficient LED's available in underwater pool and spa lights - up to 50% less energy consumption than competitor's lights.
- Set one of 5 predetermined fixed colors to match or create the mood for the evening - blue, green, magenta, white, and red or select from 7 popular “color shows” that come preprogrammed into IntelliBrite
- IntelliBrite was designed to work with IntelliTouch® and EasyTouch®, the leading control systems for pool, spa, and poolscape equipment automation. In effect, you transfer control of IntelliBrite to the IntelliTouch® or EasyTouch® system which controls all your other backyard and pool features
- IntelliBrite 5g Color Pool lights are backwards compatible with first generation IntelliBrite lights.



IntelliBrite 5g Color LED
Pool and Spa Lights
Patent Pending

IntelliBrite® automated color-changing pool and spa lights feature LED technology - the wave of the future in energy-efficiency, lifetime value, quality of light, and controllability. With IntelliBrite, combinations of individual colored LED's are mixed and matched to achieve a vibrant spectrum of colors. These combinations are power sequenced to illuminate and cycle through colors at varying speeds, and in different sequences of color. Combined with a custom reflector and unique lens design, IntelliBrite offers superb efficiency while being the brightest yet most energy efficient underwater LED light available.

Ordering Information

Product	Voltage	Cord Length (Ft.)	Carton Qty	Carton Wt (Lbs)
INTELLIBRITE 5g COLOR POOL LIGHTS				
601000	120	30	1	
601001	120	50	1	
601002	120	100	1	
601003	120	150	1	
601004	120	250	1	
601010	12	30	1	
601011	12	50	1	
601012	12	100	1	
601013	12	150	1	
INTELLIBRITE SPA LIGHTS				
640050	120	30	1	
640051	120	50	1	
640052	120	100	1	
640056	120	150	1	
640053	12	30	1	
640054	12	50	1	
640055	12	100	1	

Dimensions and Certifications



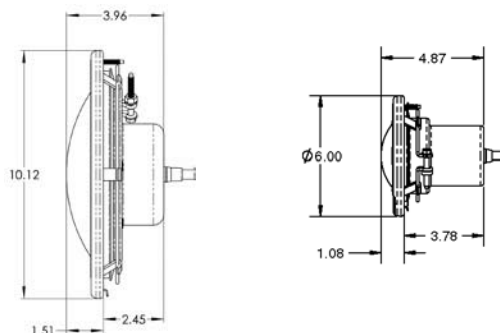
LISTED



CSA Certified

Note: All 120 volt pool and spa lights must be connected to a branch circuit protected by a ground fault circuit interrupter (GFCI)..

Notice: Underwriters Laboratories has listed Pentair Pool Products lights for use with Pentair Pool Products, American Products, Purex, or PacFab niches only. To ensure proper grounding/bonding connections install only Pentair Pool Products lights in Pentair Pool Products, American Products, Purex, or PacFab niches.



See page 429 for replacement parts.

IntelliBrite® White LED

Underwater LED Lights for Swimming Pools and Spas



IntelliBrite White LED Pool Light
Patent Pending



Featured Highlights

- The brightest most energy efficient white LED pool light on the market
- Energy efficient utilizing up to 85% less energy than comparable incandescent lights.
- Superior lens geometry and exclusive reflector design combine to create a wider beam and more uniform light distribution.
- Pool lens can be rotated to 180 degrees to provide wide beam pattern (standard) or narrow beam pattern.
- Compatible with Pentair Stainless steel and plastic niches.
- Available in 120V and 12V versions.
- Available in 300W, 400W, and 500W incandescent equivalencies.

IntelliBrite® White LED offers a brighter, more energy efficient alternative to incandescent white lighting. Utilizing its array of LEDs, it is also ideal for commercial applications.

Ordering Information for Pool Lights

Product	Voltage	Cord Length (Ft.)	Incandescent Equivalency	Carton Qty	Carton Wt (Lbs)
INTELLIBRITE WHITE POOL LIGHTS - 300 WATT EQUIVALENT, 120 VOLT					
601100	120V	30'	300W Equivalency	1	
601101	120V	50'	300W Equivalency	1	
601102	120V	100'	300W Equivalency	1	
601103	120V	150'	300W Equivalency	1	
601104	120V	250'	300W Equivalency	1	
INTELLIBRITE WHITE POOL LIGHTS - 300 WATT EQUIVALENT, 12 VOLT					
601105	12V	30'	300W Equivalency	1	
601106	12V	50'	300W Equivalency	1	
601107	12V	100'	300W Equivalency	1	
601108	12V	150'	300W Equivalency	1	
INTELLIBRITE WHITE POOL LIGHTS - 400 WATT EQUIVALENT, 120 VOLT					
601200	120V	30'	400W Equivalency	1	
601201	120V	50'	400W Equivalency	1	
601202	120V	100'	400W Equivalency	1	
601203	120V	150'	400W Equivalency	1	
601204	120V	250'	400W Equivalency	1	
INTELLIBRITE WHITE POOL LIGHTS - 400 WATT EQUIVALENT, 12 VOLT					
601205	12V	30'	400W Equivalency	1	
601206	12V	50'	400W Equivalency	1	
601207	12V	100'	400W Equivalency	1	
601208	12V	150'	400W Equivalency	1	
INTELLIBRITE WHITE POOL LIGHTS - 500 WATT EQUIVALENT, 120 VOLT					
601300	120V	30'	500W Equivalency	1	
601301	120V	50'	500W Equivalency	1	
601302	120V	100'	500W Equivalency	1	
601303	120V	150'	500W Equivalency	1	
601304	120V	250'	500W Equivalency	1	
INTELLIBRITE WHITE POOL LIGHTS - 500 WATT EQUIVALENT, 12 VOLT					
601305	12V	30'	500W Equivalency	1	
601306	12V	50'	500W Equivalency	1	
601307	12V	100'	500W Equivalency	1	
601308	12V	150'	500W Equivalency	1	

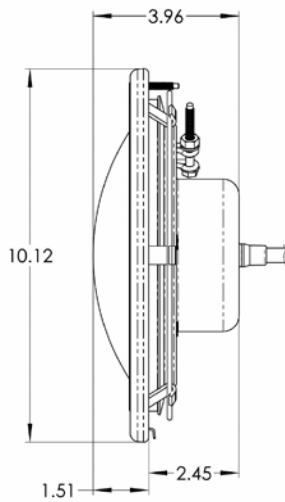
IntelliBrite® White LED (Cont'd)

Underwater LED Lights for Swimming Pools and Spas

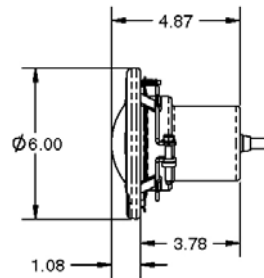
Ordering Information for Spa Lights

Product	Voltage	Cord Length (Ft.)	Incandescent Equivalency	Carton Qty	Carton Wt (Lbs)
INTELLIBRITE WHITE SPA LIGHTS - 120 VOLT					
640076	120V	30'	100W Equivalency	1	6.5
640077	120V	50'	100W Equivalency	1	8
640078	120V	100'	100W Equivalency	1	12
640079	120V	150'	100W Equivalency	1	16
640080	120V	250'	100W Equivalency	1	25
INTELLIBRITE WHITE SPA LIGHTS - 12 VOLT					
640081	12V	30'	100W Equivalency	1	5.5
640082	12V	50'	100W Equivalency	1	7
640083	12V	100'	100W Equivalency	1	11

Dimensions and Certifications



IntelliBrite White Pool Dimensions



IntelliBrite White Spa Dimensions



See page 431 for replacement parts.

IntelliBrite™ Landscape Lights

Color LED Lights for Landscapes



IntelliBrite Landscape Lights
Patent Pending

IntelliBrite Landscape Lights, with 5 fixed colors and 7 shows, are compatible with IntelliBrite Pool and Spa Lights, and can be controlled by IntelliTouch, EasyTouch and IntelliBrite Controllers. These lights can be mounted in any position on the wall or ground with an arm swing of 0° to 90°.

Ordering Information

Product	Voltage	Wattage	Carton Qty	Carton Wt (Lbs)
INTELLIBRITE LANDSCAPE LIGHTS				
690019	12V	15	1	2.5
RECOMMENDED LANDSCAPE LIGHT TRANSFORMERS				
690061	12V	100	1	10
690062	11V-15V	300	1	17

See page 431 for replacement parts.

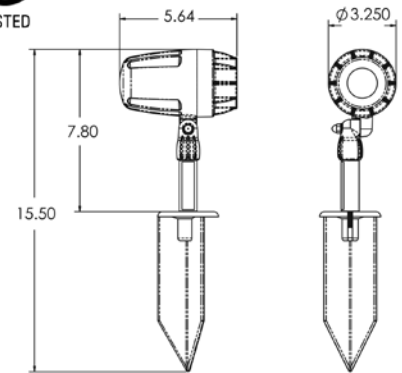
Featured Highlights

- Ability to Synchronize with IntelliBrite Color Pool and Spa Lights
- Can be controlled by IntelliTouch and EasyTouch Systems.
- Utilizes Energy Efficient LED technology.
- 2 levels of Brightness and color saturation
- 2 suites of colors ("Landscape and IntelliBrite")
- 40° beam width

Dimensions and Certifications



LISTED



IntelliBrite® Controller



IntelliBrite Controller

IntelliBrite® Controller works with IntelliBrite Color Pool and Spa LED lights as well as IntelliBrite Landscape Lights. It can control and synchronize both sets of lights to create dazzling shows.

Ordering Information

Product	Description	Carton Qty	Carton Wt (Lbs)
INTELLIBRITE POOL LIGHTS			
600054	IntelliBrite Controller	1	1

See page 99 for IntelliBrite Color LED Light.

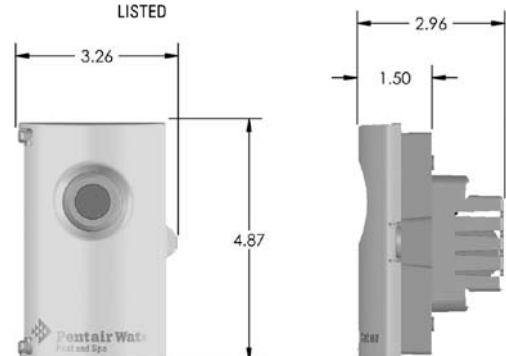
Featured Highlights

- Waterproof Outdoor LED Color Light Controller
- Quick access to all colors and shows
- Convenient hold and recall function
- Fits in 22.5 cu. in. single gang box or larger
- Illuminated power button

Dimensions and Certifications



LISTED



SAM[®] Spectrum Amerlite[®]

Underwater Lights for Swimming Pools and Spas



Featured Highlights

- Swimming colors available when used with IntelliTouch[®] and EasyTouch[®] Systems
- Auto-color-roll w/IntelliTouch and EasyTouch synchronizes with PG 2000[®]
- UL Listed in full-size Pentair Pool Products/ PacFab/American/ Purex niches
- Brilliant colors with Exclusive Spectrum Color Roll and Hold on custom color
- Controlled by a single switch
- White light equivalent of 300W Amerlite
- 4,000 hour halogen bulb life
- Simple 3-wire connection
- Color synchronization standard
- Great for new installations and for replacement of any Pentair Pool Products pool light



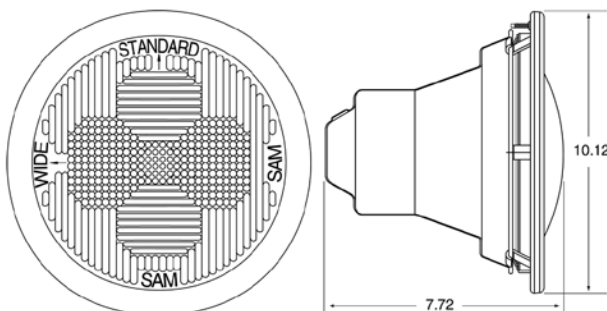
SAM Spectrum Amerlite
Protected by U.S. Patent Numbers 6,379,025,
6,811,286, 7,055,988, 7,097,329, 7,128,440
Patent Pending

The SAM[®] Spectrum Amerlite[®] is the world's first submersible color light for swimming pools and spas. The Spectrum Amerlite delivers a nearly infinite palette of brilliant water colors. Custom mix a color to match the evening's mood or let SAM slowly waltz your customer's pool from color to dazzling color. With twin 4,000 hour tungsten halogen bulbs, SAM delivers white light comparable to the 300W Amerlite you have relied on for decades. SAM color synchronizes with other SAM or SAL[®] fixtures and with the FIBERworks[®] PG 2000[®]. "Auto-color-roll" and swimming colors effects are available when used in combination with Pentair's IntelliTouch[®] systems.

Ordering Information

Product	Voltage	Wattage	Cord Length (Ft.)	Carton Qty	Carton Wt
SAM SPECTRUM AMERLITE LIGHT - 120 VOLT					
600015	120	150	30	1	12
600016	120	150	50	1	14
600017	120	150	100	1	18
600018	120	150	150	1	22
600080	120	150	250	1	30
SAM SPECTRUM AMERLITE LIGHT - 12 VOLT					
600019	12	150	15	1	10
600020	12	150	50	1	13
600021	12	150	100	1	21

Dimensions and Certifications



Note: All 120 volt pool and spa lights must be connected to a branch circuit protected by a ground fault circuit interrupter (GFCI).

Note: All cord lengths over 50 feet on 12 volt lights create resistance that dramatically reduces the light output. This condition exists on all low voltage lights regardless of design or manufacturer.

Notice: Underwriters Laboratories has listed Pentair Pool Products lights for use with Pentair Pool Products, American Products, Purex, or PacFab niches only. To ensure proper grounding/bonding connections install only Pentair Pool Products lights in Pentair Pool Products, American Products, Purex, or PacFab niches.

See page 432 for replacement parts.

See page 121 for SAM Lights for Water Fountains

SAL[®] Spectrum AquaLight[®]

Automated Spa Lighting



SAL Spectrum AquaLight

Featured Highlights

- Swimming colors available when used with IntelliTouch[®] or EasyTouch[®] System
- Produces same dramatic color mix as SAm[®] light
- Synchronizes with SAm and FIBERworks[®] PG2000[®]
- Controlled by a single light switch
- Color roll or hold on a color
- 4,000-hour lamp life reduces relamping frequency
- Fits Pentair small plastic or small stainless steel niches
- Simple 3-wire connection for quick professional installation

Automated color in a compact package—Now your customers can enjoy the dramatic color lighting effects of SAm[®] in their spa. SAL[®] Spectrum Aqua Light[®] produces the same revolutionary 7-color spectrum as our SAm light, but it comes in a compact package. Especially designed for spas, SAL provides breathtaking color at the flip of a switch just like SAm. And if your customer has a pool/spa combination, they'll be glad to know that SAL easily synchronizes with SAm and PG 2000[®] FreedomSync models to provide a uniform display of ever-changing aquatic color.

Ordering Information

Product	Voltage	Cord Length (Ft.)	Carton Qty	Carton Wt (Lbs)
SAL SPECTRUM AQUALIGHT LIGHT - 120 VOLT				
640000	120	30	1	6
640001	120	50	1	8
640002	120	100	1	12.5
640003	120	150	1	16
640004	120	250	1	24
SAL SPECTRUM AQUALIGHT LIGHT - 12 VOLT				
640011	12	15	1	13
640012	12	50	1	9.5
640013	12	100	1	16

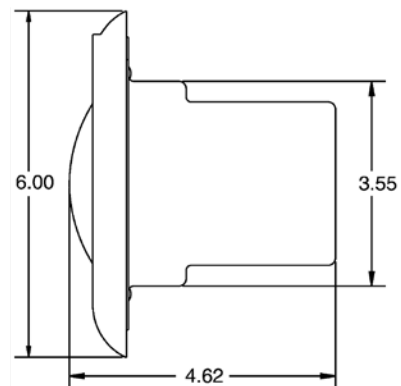
Dimensions and Certifications



Note: All 120 volt pool and spa lights must be connected to a branch circuit protected by a ground fault circuit interrupter (GFCI).

Note: All cord lengths over 50 feet on 12 volt lights create resistance that dramatically reduces the light output. This condition exists on all low voltage lights regardless of design or manufacturer.

Notice: Underwriters Laboratories has listed Pentair Pool Products lights for use with Pentair Pool Products, American Products, Purex, or PacFab niches only. To ensure proper grounding/bonding connections install only Pentair Pool Products lights in Pentair Pool Products, American Products, Purex, or PacFab niches.



See page 432 for replacement parts.

Underwater Incandescent Lights with S/S Face Rings



Featured Highlights

- World standard of reliability
- Stainless steel face ring with uni-tension clamp
- Superior light diffusion
- Prismatic tempered lens
- Gold diffused low water cutoff
- Medium blue lenses available
- Plastic snap-on face rings available for s/s lights



Amerlite Incandescent Lights

Amerlite®, the world standard of reliability for underwater lights, features a stainless steel shell, 8-3/8 in. prismatic tempered glass lens, and stainless steel face ring with uni-tension clamp. Amerlites are UL listed to install in full- sized Pentair Pool Products, American, PacFab and Purex niches.

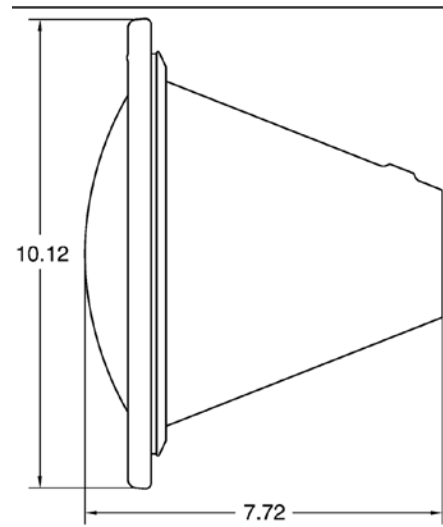
Product	Voltage	Wattage	Cord Length (Ft.)	Carton Qty	Carton Wt (Lbs)
AMERLITE WITH STAINLESS STEEL FACE RING - 300 WATT, 120 VOLT					
78421100	120	300	15	1	6
78428100	120	300	50	1	10
78928500	120	300	100	1	15
78927000	120	300	150	1	20
78927900	120	300	200	1	25
AMERLITE WITH STAINLESS STEEL FACE RING - 400 WATT, 120 VOLT					
78441100	120	400	15	1	6
78448100	120	400	50	1	10
78949100	120	400	100	1	15
78447100	120	400	150	1	20
78449100	120	400	200	1	25
AMERLITE WITH STAINLESS STEEL FACE RING - 500 WATT, 120 VOLT					
78451100	120	500	15	1	6
78458100	120	500	50	1	10
78456300	120	500	100	1	15
78457100	120	500	150	1	20
78459100	120	500	200	1	25
78458300	120	500	250	1	35
AMERLITE WITH STAINLESS STEEL FACE RING - 100 WATT, 12 VOLT					
78411100	12	100	15	1	6
78418100	12	100	50	1	10
78415100	12	100	100	1	15

Amerlite® (Cont'd)

Underwater Incandescent Lights with S/S Face Rings

Product	Voltage	Wattage	Cord Length (Ft.)	Carton Qty	Carton Wt (Lbs)
AMERLITE WITH STAINLESS STEEL FACE RING - 300 WATT, 12 VOLT					
78431100	12	300	15	1	10
78438100	12	300	50	1	17
78435100	12	300	100	1	20
STAINLESS STEEL AMERLITE WITH MEDIUM BLUE LENS - 400 WATT, 120 VOLT					
78444200	120	400	30	1	8
78448200	120	400	50	1	10
78950100	120	400	100	1	15
STAINLESS STEEL AMERLITE WITH MEDIUM BLUE LENS - 500 WATT, 120 VOLT					
78454200	120	500	30	1	8
78458200	120	500	50	1	10
78958500	120	500	100	1	15
LENS, COVERS, AND FACE RINGS FOR AMERLITE					
79100100	Clear Lens, tempered			1	1
79100200	Medium Blue Lens, tempered			1	.5
78900100	Plastic Snap-on Color Lens Kit (Blue, Green, Red Magenta)			1	1
79110600	Stainless Steel Face Ring			1	.5
79213100	Plastic Snap-on face ring (white), Qty 24			24	2
79212100	Plastic Sanp-on face ring (White) Qty 1			1	.5
79212165	Plastic Sanp-on face ring (Grey) Qty 1			1	.5
79212111	Plastic Sanp-on face ring (Black) Qty 1			1	.5

Dimensions and Certifications



Note: All 120 volt pool and spa lights must be connected to a branch circuit protected by a ground fault circuit interrupter (GFCI).

Note: All cord lengths over 50 feet on 12 volt lights create resistance that dramatically reduces the light output. This condition exists on all low voltage lights regardless of design or manufacturer.

Notice: Underwriters Laboratories has listed Pentair Pool Products lights for use with Pentair Pool Products, American Products, Purex, or PacFab niches only. To ensure proper grounding/bonding connections install only Pentair Pool Products lights in Pentair Pool Products, American Products, Purex, or PacFab niches.

Incandescent Lights for Swimming Pools and Spas



Featured Highlights

- Stainless steel face rings
- Prismatic tempered glass lens
- Stainless steel housing
- Easy service stainless steel clamp
- Incandescent lamp
- Gold diffused low water cutoff
- Easy to service
- Plastic snap-on colored face ring covers available.



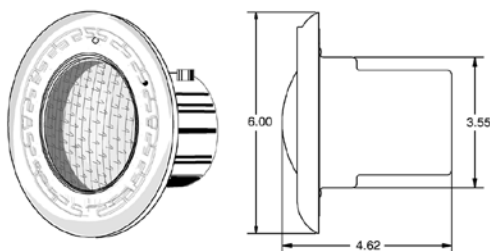
SpaBrite Incandescent Lights

SpaBrite® lights are available with stainless steel face rings. This incandescent light is perfect for spas and areas where space is not available for a full-size light. SpaBrite lights install in small plastic or stainless steel Pentair niches.

Ordering Information

Product	Voltage	Wattage	Cord Length (Ft.)	Carton Qty	Carton Wt (Lbs)
SPABRITE LIGHTS WITH STAINLESS STEEL FACE RING - 120 VOLT					
78104100	120	100	30	1	7
78108100	120	100	50	1	9
78109100	120	100	100	1	14
78105500	120	100	150	1	19
78108500	120	100	200	1	24
SPABRITE LIGHTS WITH STAINLESS STEEL FACE RING - 12 VOLT					
78101200	12	100	15	1	6
78108200	12	100	50	1	9
78107000	12	100	75	1	12
78107500	12	100	100	1	14
ACCESSORIES					
79212200	Snap-on face ring, plastic, white			1	0.5
79212211	Snap-on face ring plastic, black			1	0.5
79212265	Snap-on face ring, plastic, grey			1	0.5
79108900	Snap-on color lens plastic, red			1	0.5
79109000	Snap-on color lens plastic, blue			1	0.5
650019	Snap-on color lens kit (magenta, purple, teal, green)			1	2

Dimensions and Certification



Note: All 120 volt pool and spa lights must be connected to a branch circuit protected by a ground fault circuit interrupter (GFCI).

Note: All cord lengths over 50 feet on 12 volt lights create resistance that dramatically reduces the light output. This condition exists on all low voltage lights regardless of design or manufacturer.

Notice: Underwriters Laboratories has listed Pentair Pool Products lights for use with Pentair Pool Products, American Products, Purex, or PacFab niches only. To ensure proper grounding/bonding connections install only Pentair Pool Products lights in Pentair Pool Products, American Products, Purex, or PacFab niches.

AquaLight®

Halogen Quartz Lights with Stainless Steel Face Ring



AquaLight Halogen Lights

The AquaLight® uses halogen quartz bulbs and designed for installation in small plastic or stainless steel Pentair niches. The light shell is high-quality stainless steel and the lens is Prismatic tempered glass.

Featured Highlights

- Prismatic tempered glass lens
- Stainless steel housing
- Easy service stainless steel clamp
- Halogen-quartz lamp
- Gold diffused low water cutoff
- Easy to service
- Plastic snap-on face rings and colored lenses available

Ordering Information

Product	Voltage	Wattage	Cord Length (Ft.)	Carton Qty	Carton Wt (Lbs)
AQUALIGHT LIGHTS - 100 WATT, 120 VOLT					
77111100	120	100	15	1	6
77118100	120	100	50	1	9
77310100	120	100	100	1	14
AQUALIGHT LIGHTS - 250 WATT, 120 VOLT					
77161100	120	250	15	1	6
77168100	120	250	50	1	9
77360300	120	250	100	1	14
77365000	120	250	150	1	19
77362000	120	250	200	1	24
AQUALIGHT LIGHTS - 75 WATT, 12 VOLT					
77181100	12	75	15	1	6
77188100	12	75	50	1	9
77182500	12	75	100	1	12
ACCESSORIES					
79212200	Snap-on face ring, plastic, white			1	.5
79212211	Snap-on face ring plastic, black			1	.5
79212265	Snap-on face ring, plastic, grey			1	.5
79108900	Snap-on color lens plastic, red			1	.5
79109000	Snap-on color lens plastic, blue			1	.5
650019	Snap-on color lens kit (magenta, purple, teal, green)			1	2

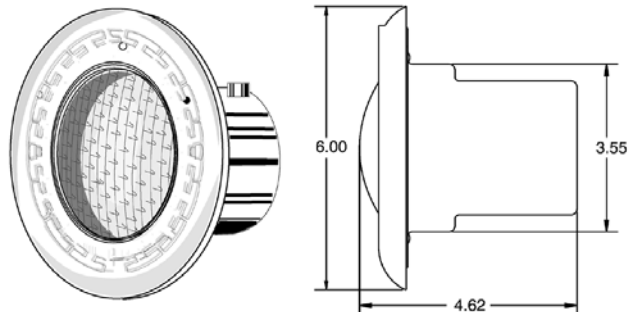
Dimensions and Certifications



Note: All 120 volt pool and spa lights must be connected to a branch circuit protected by a ground fault circuit interrupter (GFCI).

Note: All cord lengths over 50 feet on 12 volt lights create resistance that dramatically reduces the light output. This condition exists on all low voltage lights regardless of design or manufacturer.

Notice: Underwriters Laboratories has listed Pentair Pool Products lights for use with Pentair Pool Products, American Products, Purex, or PacFab niches only. To ensure proper grounding/bonding connections install only Pentair Pool Products lights in Pentair Pool Products, American Products, Purex, or PacFab niches.



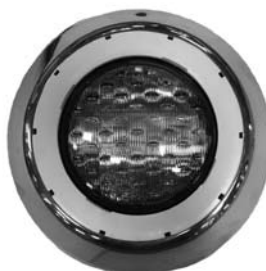
See page 435 for replacement parts.

AquaLumin® III Lights

Nicheless Light for Swimming Pools and Spas

Featured Highlights

- Requires only a 3 in. hole in wall panel
- No costly make-up panels
- No extra braces
- Wall hugging fit
- Easy to service
- Easy to install



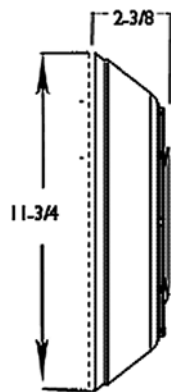
AquaLumin III Nicheless Light
Protected by U.S. Patent Number 5,051,875 and 7,553,040

The AquaLumin® III nicheless lights provide brilliant, double contact halogen quartz lighting for all vinyl liner pools and spas. This revolutionary, patented design uses a mounting hub and bracket instead of a niche. This light eliminates the need for pre-punched light panels, costly make-up panels and extra braces for vinyl pools.

Ordering Information

Product	Voltage	Wattage	Cord Length (Ft.)	Carton Qty	Carton Wt (Lbs)
AQUALUMIN III LIGHTS - 250 WATT, 120 VOLT					
78864200	120	250	50	1	9
78864250	120	250	100	1	13
78864300	120	250	150	1	15
AQUALUMIN III LIGHTS - 100 WATT, 12 VOLT					
78873500	12	100	50	1	9
78873700	12	100	100	1	11
MOUNTING BRACKETS					
78887700	Vinyl liner, 3/4 in. hub			1	2
78887800	Vinyl liner, 1 in. hub			1	2
78886000	Retrofit Kit for AquaLumin II - AquaLumin			1	2
KWIK CHANGE LENS COVERS FOR AQUALUMIN LIGHTS					
78883700	AquaLumin II Lens Kit (4 assorted colors)			1	1
600140	AquaLumin III Snap-on Color Lens Kit (Green, Amber, Orange, Blue, Red)			1	1

Dimensions and Certifications



Note: All 120 volt pool and spa lights must be connected to a branch circuit protected by a ground fault circuit interrupter (GFCI).

Note: All cord lengths over 50 feet on 12 volt lights create resistance that dramatically reduces the light output. This condition exists on all low voltage lights regardless of design or manufacturer.

See page 436 for replacement parts.

AquaLuminator®

Light and Water Return for Aboveground Pools



AquaLuminator Light and Water Return
Protected by U.S. Patent Number 5,207,499

Our patented Hydro-Optic™ technology creates this revolutionary light and return fitting combination. This light fits the existing water return hole pre-punched by most aboveground pool manufacturers and can be installed on new or millions of existing pools. The AQL 500, with 33% fewer lumens than the standard AquaLuminator® offers quality entry-level lighting for smaller pools.

Featured Highlights

- Light and return fitting
- 25 ft. plug-in cord
- Deluxe retail packaging
- Fits most aboveground pools
- AQL 500 for smaller pools
- Pressure cleaner adapter
- Fountain attachment available
- Hard plumbing adapter

Ordering Information

Product	Description	Carton Qty	Carton Wt (Lbs)
ABOVEGROUND LIGHTS			
600030	AQL 500 aboveground light ¹	1	6
600040	Quasar 500 non-return light ¹	1	6
98600000	AquaLuminator 2010 convertible	1	6
98605300	Quasar non-return Light	1	6
98630000	AquaLuminator 2000, no transformer	1	1
98600008	AquaLuminator, 240 volt	1	1
ACCESSORIES			
79100000	Fountain attachment, fits all AquaLuminator models	1	1
79202900	Hard plumbing adapter	1	2
79203100	Adapter to connect AquaLuminator to cleaner ¹	1	1
619539	Non-return fitting	1	1
619551	Color Lens Kit (Blue & Green)	1	2
619518	Lens Luxury - Green	1	.5
79123401	Lens Luxury - Blue	1	.5

¹ AQL 500 and Quasar 500 do not support the fountain attachment or the pressure cleaner adapter.

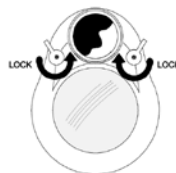
Dimensions and Certifications



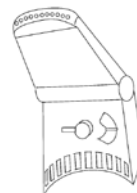
Quasar™ Non-return Light for Aboveground Pools



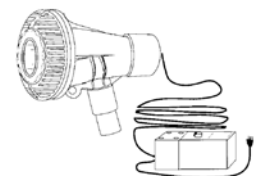
Hard Plumbing Adapter



Pressure Cleaner Adapter



Fountain Attachment



AquaLuminator/Quasar

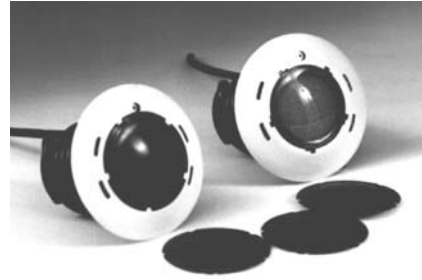


Plastic Light for Swimming Pools and Spas



Featured Highlights

- UL listed for 4 in. depth below water
- All plastic housing and lens
- Easy placement, easy to install
- Perfect for lights on opposite pool ends
- High intensity halogen quartz
- Quarter-twist bulb access
- Molded clip for cord storage retention
- Fits on any vertical wall
- Soft, even light distribution
- 12 volt, 75 watt
- Simple two-wire connection

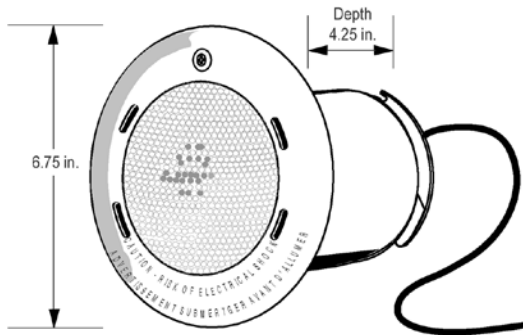


HiLite Plastic Lights
Protected by U.S. Patent Number 5,842,771
and 6,241,361

The plastic HiLite® is the first light to be UL listed for installations in as little as 4 in. below water surface. The shallow placement of these innovative lights on opposite pool ends will illuminate the entire swimming area, hiding plaster imperfections and eliminating hot spots in the pool.

Ordering Information

Product	Voltage	Wattage	Cord Length (Ft.)	Carton Qty	Carton Wt (Lbs)
HILITE - 75 WATT, 12 VOLT					
78780000	12	75	15	1	4
78780200	12	75	50	1	8
78782000	12	75	100	1	12
FACE RINGS					
79210000	Plastic face ring, white			1	3
79210065	Plastic face ring, grey			1	3
79210011	Plastic face ring, black			1	3
LENS COVERS					
79105400	Lens kit (red and blue)			12	8



Dimensions and Certifications



Note: All cord lengths over 50 feet on 12 volt lights create resistance that dramatically reduces the light output. This condition exists on all low voltage lights regardless of design or manufacturer.

Notice: Underwriters Laboratories has listed Pentair Pool Products lights for use with Pentair Pool Products American Products Purex or PacFab niches only. To ensure proper grounding/bonding connections install only Pentair Pool Products lights in Pentair Pool Products or American Products niches.

SwimQuip™ Lights



SwimQuip™ Underwater Light

Featured Highlights

- Materials of Construction – Utilizes a heavy copper shell
- High-impact Lens with many small prisms – Designed to reflect light rays throughout the pool, yet eliminates undue glare from above
- UL and CSA Listed – For fresh water

FOR REPLACEMENT ONLY: SwimQuip Niches have been discontinued.

Ordering Information

Product	Description	Cord Length (Ft.)	Carton Wt (Lbs)
SWIMQUIP UNDERWATER LIGHTS - 12 VOLT			
05082-0025	12 Volt Light, 300 Watt	25	13
05082-0050	12 Volt Light, 300 Watt	50	18
SWIMQUIP UNDERWATER LIGHTS - 120 VOLT			
05086-0025	120 Volt Light, 500 Watt	25	8
05086-0050	120 Volt Light, 500 Watt	50	10
05086-0100	120 Volt Light, 500 Watt	100	14
05086-0150	120 Volt Light, 500 Watt	150	22
05086-0250	120 Volt Light, 500 Watt	250	30
ACCESSORIES			
05070-0046	Snap-on Color Lens Accessory Kit (Red, Blue, Amber)	1	1

Dimensions and Certifications



NOTE: 12 volt, 300 watt lights and 120 volt, 500 watt lights are U.L. and C.U.L. Listed (fresh water only). Sta-Rite does not recommend installing 12V lights with cord lengths greater than 50'. A significant voltage drop occurs which dramatically reduces the light output. Each pool or spa light should be installed with its own ground fault circuit interrupter (GFCI). UL has listed Swimquip lights for use with Swimquip niches. To ensure proper grounding/bonding connections, install only Swimquip in Swimquip niches.

SunLite® Brass LTC Lights

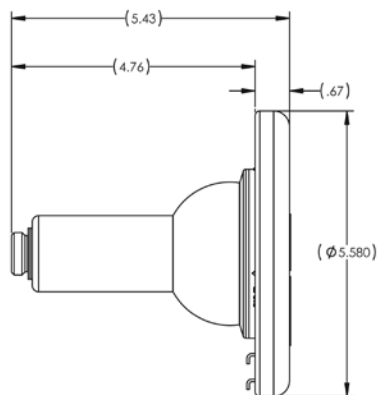


SunLite - Brass LTC
Stainless Steel
Quartz Halogen

Ordering Information

Product	Voltage	Wattage	Cord Length (Ft.)	Carton Wt (Lbs)
SUNLITE - BRASS LTC STAINLESS STEEL QUARTZ HALOGEN				
05603-2030	12	75	30	4.55
05603-2050	12	75	50	4.55
05603-2100	12	75	100	11
05605-2030	120	100	30	4
05605-2050	120	100	50	4
05605-2100	120	100	100	5
05607-2250	120	100	250	5
05607-2030	120	250	30	5
05607-2050	120	250	50	6
05607-2100	120	250	100	13
05605-2250	120	250	250	4
NICHES AND ACCESSORIES				
05167-1035	Gunitite Niche			1
05167-1036	Vinyl Niche with SS Trim Ring			1
05167-1037	Vinyl Niche with ABS Trim Ring			1
05601-0111	Snap-on Color Lens Kit, Plastic (Blue, Red)			1
34627-6008	Blue - Small Popover Lens			.5
34627-6009	Red - Small Popover Lens			.5
05601-0111	Red/Blue - Small Popover Lens Kit			.5

Dimensions and Certifications



NOTE: Sta-Rite does not recommend installing 12V lights with cord lengths greater than 50'. A significant voltage drop occurs which dramatically reduces the light output.

NOTE: Each pool or spa light should be installed with its own ground fault circuit interrupter (GFCI).

NOTE: UL has listed Sta-Rite lights for use with Pentair niches. To ensure proper grounding/bonding connections, install Sta-Rite lights only in Pentair niches.

NOTE: Cord lengths over 100 ft. are for light replacement only. Use of long cord lengths is not recommended for new installations.

NOTE: CSA does not approve plastic niches. 1/2" niches will not work in Canada.

See page 440 for replacement parts.

White LED Landscape Lights



Featured Highlights

- Revolutionary “Environmentally Green”
- Marine Grade Solid Brass Construction
- Chemically Etched Bronze Finish
- Long Life LED Technology
- Easy Installation

Path Lights

MOUNTING : 1/2" NPT. Dual Fin Spike
 FINISH : Matte Bronze
 ELECTRICAL : 9-26V AC
 LAMP : 3W LED
 COLOR TEMP : 45° Standard Optic
 2700K



Universal Directional Light

MOUNTING : 1/2" NPT. Dual Fin Spike
 FINISH : Matte Bronze
 ELECTRICAL : 9-26V AC
 LAMP : 3W LED
 COLOR TEMP : 45° Standard Optic
 2700K
 OPTIC OPTIONS: 10°, 25° and 80°



690049

Adjustable Well Lights

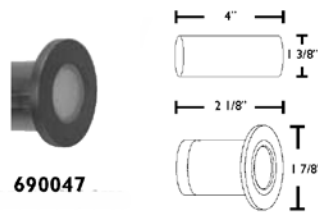
MOUNTING : Direct Burial
 FINISH : Matte Bronze
 ELECTRICAL : 9-26V AC
 LAMP : 3W LED
 COLOR TEMP : 45° Standard Optic
 2700K
 OPTIC OPTIONS: 10°, 25° and 80°



690050

Recessed Lights

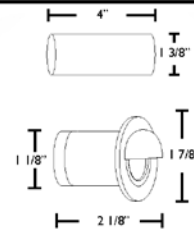
MOUNTING : Wall / Ceiling / Inground
 FINISH : Matte Bronze
 ELECTRICAL : 9-26V AC
 LAMP : 3W LED
 COLOR TEMP : 45° Standard Optic
 2700K
 OPTIC OPTIONS: 10°, 25° and 80°



690047



690048



Product	Description	Carton Wt (Lbs)
LED LANDSCAPE LIGHTING		
690047	Recessed accent SM	1.5
690048	Recessed with eyebrow SM	1.5
690049	LT Universal DIR	2.0
690050	LT adj mini well	2.0
690051	Path LT short	2.0
690052	Path LT long	3.0
690053	LT Petite	2.0
690054	LT Path	3.0
TRANSFORMERS		
690061	XFMR 15 VAC, 100W	9
690062	XFMR 11-15VAC, 300W	13

Product	Description	Carton Wt (Lbs)
ACCESSORIES		
690055	PLT mntg .5 NPT	
690056	Sleeve brass conc	
690057	Option 10DEG interchangeable optics	
690058	Option 25DEG interchangeable optics	
690059	Option 45DEG interchangeable optics	
690060	Option 80DEG interchangeable optics	
REPLACEMENT PARTS		
690040	Replacement Engine 3W	

PG2000®

Advanced Metal Halide Light Source



Featured Highlights

- 600 fiber capacity
- 7 colors standard
- Quieter running unit
- Attractive outdoor landscape light design
- All units auto-control compatible
- Revolutionary FreedomSync models, color synchronize with SAM®/SAL® and other multiple PG2000® lights
- Sub-terrain mounting base included
- Wireless upgrade available



PG2000 Light Source

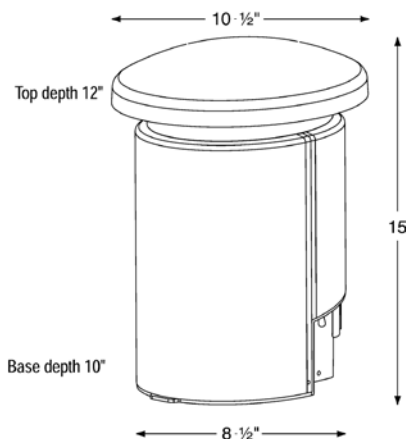
Protected by U.S. Patent Number 5,802,227
5,980,076 and 6,002,216

FIBERworks® fiber optic light source, PG2000®, incorporates several new features. With 7 colors standard and the industry's largest capacity - 600 fibers, FIBERworks sets the industry standard once again. All units are now auto control compatible. Our synchronized unit also incorporates our patented FreedomSync™ technology for hassle-free synchronization with other PG2000, and multiple SAM® and SAL® fixtures. Manual units are pre-wired for IntelliTouch® operation.

Ordering Information

Product	Description	Carton Qty	Carton Wt (Lbs)
PG2000			
840211	PG2000 replacement bulb	1	0.01
840240	White light only	1	21
840241	7 color, manual switch, auto control compatible	1	20
840242	7 color, synchronized, manual switch, auto control compatible, electronic sync	1	19
840261	PG2000 black-out window	1	0.01
840262	PG2000 90% dimmer window	1	0.01
840346	X-10 Wireless control kit for all PG2000 units	1	2
22002000	Conduit seal kit	1	0.01

Dimensions and Certifications



See page 443 for replacement parts.



FIBERworks®

AmerGlow™ Fiber Optic Cable

Featured Highlights

- Wide-angle lens included in all assemblies
- Dense cable for installations in one inch conduit. Dense cable jacket for one inch or smaller conduit
- Factory pre-cut, pre-OptiFused cable for convenience and superior light transmission. Requires the separate purchase of a gunite, vinyl or fiberglass “lens housing only”
- Highest quality fiber termination system available, for superior light transmission



AmerGlow - Fiber Optic Cable

AmerFlow™ 325, 225 and 170 - Single or twin lights in the pool end - AmerGlow™ 325 fiber cable for single light installations that demand the brightest cable in the industry for the most demanding installations with a single conduit. AmerGlow™ 325, 225 or 170 Single or twin lights in pool end—These super capacity fiber optic cables are used in the end wall to illuminate the entire pool. They can be fed through 1 or 1-½ inch rigid conduit.

AmerGlow™ 100, 70s - Multiple Lights in Pool Sides - The AmerGlow 100 and AmerGlow 70 can be used for multiple lights on the side of the pool.

AmerGlow™ 100, 70, 50 and 30 - Spa Installations - AmerGlow™ 30 fiber optic cable delivers superior light for most spas. AmerGlow 100, 70 or 50 may be used for extra large spas, spas with glass block dam wall, or long cable runs.

AmerGlow 100, 70, 50, 30 and 12 - Shadow Illumination, Step and Landscape Light - AmerGlow 30 is perfect for steps, small shadows or basic landscape illumination. AmerGlow 50 is used for more demanding requirements including waterfalls, fountains and longer runs. AmerGlow 100 and 70 can be used for washing large shadows, longer runs, or for more intense lighting.

Ordering Information

Product	Description	Carton Qty	Carton Wt (Lbs)
AMERGLow 325 FIBER CABLE (YELLOW)			
840075 ¹	13 ft. kit, with Wide-angle lens	1	3
840077 ¹	20 ft. kit, with Wide-angle lens	1	4
840078 ²	50 ft. roll	1	12
840079 ²	125 ft. roll	1	19
840080 ²	250 ft. roll	1	38
840106 ¹	25 ft. kit, with Wide-angle lens	1	4
AMERGLow 225 FIBER CABLE (PURPLE)			
20211400 ¹	13 ft. kit, with Wide-angle lens	1	4
20211800 ¹	20 ft. kit, with Wide-angle lens	1	4.5
21001300 ²	50 ft. roll	1	9
21001301 ²	125 ft. roll	1	23
21001400 ²	250 ft. roll	1	46
AMERGLow 170 FIBER CABLE (GREEN)			
20210300 ¹	11 ft. kit, with Wide-angle lens	1	3
20210500 ¹	14 ft. kit, with Wide-angle lens	1	3
20210700 ¹	17 ft. kit, with Wide-angle lens	1	3
20210900 ¹	20 ft. kit, with Wide-angle lens	1	4
21001000 ²	50 ft. roll	1	12
21001001 ²	125 ft. roll	1	19
21001100 ²	250 ft. roll	1	38

FIBERworks[®]

AmerGlow[™] Fiber Optic Cable

Ordering Information

Product	Description	Carton Qty	Carton Wt (Lbs)
AMERGLOW 100 FIBER OPTIC CABLE (BLUE)			
840099 ²	50 ft. roll	1	11
840100 ²	125 ft. roll	1	14
840101 ²	250 ft. roll	1	25
840103 ¹	16 ft. kit, with Wide-angle lens	1	2
840105 ¹	25 ft. kit, with Wide-angle lens	1	4
840146 ¹	40 ft. kit, with Wide-angle lens	1	5
AMERGLOW 70 FIBER OPTIC CABLE (ORANGE)			
20215400 ¹	18 ft. kit, with Wide-angle lens	1	2
20215600 ¹	25 ft. kit, with Wide-angle lens	1	2
20216000 ¹	40 ft. kit, with Wide-angle lens	1	3
21001500 ²	50 ft. roll	1	4
21002000 ²	125 ft. roll	1	4
21002100 ²	250 ft. roll	1	13
21002200 ²	500 ft. roll	1	25
AMERGLOW 50 FIBER OPTIC CABLE (BROWN)			
840151 ¹	14 ft. kit, with Wide-angle lens	1	2
840152 ¹	25 ft. kit, with Wide-angle lens	1	3
840153 ¹	40 ft. kit, with Wide-angle lens	1	4
840154 ²	50 ft. roll	1	4
840155 ²	125 ft. roll	1	10
840156 ²	250 ft. roll	1	16
840157 ²	500 ft. roll	1	27
AMERGLOW 30 FIBER OPTIC CABLE (GREY)²			
21002400	50 ft. roll	1	4
21002500	125 ft. roll	1	11
21002600	250 ft. roll	1	14
840081	500 ft. roll	1	25
AMERGLOW 12 FIBER OPTIC CABLE (BLACK)			
21003200	50 ft. roll	1	4
21003000	125 ft. roll	1	9
21003100	250 ft. roll	1	10

¹ Lens housing for gunite, invisible gunite, vinyl or fiberglass purchased separately.

² Lens assembly complete for gunite, invisible gunite, vinyl or fiberglass purchased separately.

FIBERworks®

OptiFusion™ Lenses & Cable Termination System



OptiFusion Termination System
Protected by U.S. Patent Number 5,825,954

Featured Highlights

- Wide-angle lens included in all assemblies
- Highest transmission underwater lenses available
- Invisible gunite lens assembly
- Exclusive “lens-before-liner” vinyl lens assembly
- Also in standard gunite or fiberglass
- Lens assembly is sealed even with wet conduit
- Able to install underwater
- Exclusive OptiFusion gel
- 80 watt professional Fiber-Knife

OptiFusion Lenses (patent 5,825,954) - Superior optic and light engineering delivers the most advanced, highest transmission underwater lenses available. FIBERworks® “invisible” gunite lens assembly eliminates the conspicuous white flange and fits over 1 inch PVC conduit or inside 1-1/2 in. PVC conduit. The exclusive “lens before liner” vinyl pool assembly allows you to install cable and lens before you install the liner. All lenses are sealed even with wet conduit and can be installed underwater.

Wide-angle Lens - Advanced optical engineering design has delivered FIBERworks Wide-angle lens. This lens greatly increases the spread of light in a pool or spa and is great for those hard to reach areas. The Wide-angle lens retrofits to all existing FIBERworks lens bodies in a matter of seconds. All complete lens assemblies and lens sub-assembly kits include the Wide-angle and standard lens.

The Professional Fiber Optic Termination System - Combines OptiFusion lens technology with a quick, simple, 3-step (no-epoxy) fiber termination procedure for unparalleled light transmission. The kit contains all required special tools including professional FiberKnife™ specialty tool, cable stripper, cutting shield, lens tool, and OptiFusion Gel. Components and replenishments may be purchased separately.

Ordering Information

Product	Description	Carton Qty	Carton Wt (Lbs)
COMPLETE LENS ASSEMBLY			
22000100	Gunite invisible, 1 in. socket or fits inside 1-1/2 in. pipe	1	0.325
22000200	Gunite standard, white, 1-1/2 in. socket	1	0.38
22000400	Vinyl pool, white, 1-1/2 in. FIPT	1	0.625
22000500	Fiberglass pool/spa, white, 1-1/2 in. socket	1	0.5
LENS SUBASSEMBLY			
840070	Wide-angle lens	1	1
22102000	Complete assembly, without housing	1	0.325
22103000	Standard lens	1	1
LENS HOUSING ONLY			
22000800	Gunite invisible, 1 in. socket or fits inside 1-1/2 in. pipe	1	0.25
22000900	Gunite standard, white, 1-1/2 in. socket	1	0.25
22001000	Vinyl pool, white, 1-1/2 in. FIPT	1	0.625
22001100	Fiberglass pool / spa, white, 1-1/2 in. socket	1	0.325
OPTIFUSION FIBER OPTIC TERMINATION SYSTEM			
840158	Spline Tool for installing UltraGlow Cable	1	0.5
21005500	Professional Fiber Termination Kit ¹	1	0.1
21005600	FiberKnife blade replacement pack, set of 3	3	0.1
21005900	OptiFusion Gel - Convenience tube for 12 lenses	1	0.1
21006000	Professional 80 watt FiberKnife with 3 blades	1	0.325
21006100	Steel fiber cutting shield	1	0.1
21006200	AmerGlow cable stripping tool	1	0.25
21006500	Lens tightening tool	1	0.1

¹ Includes: FiberKnife, convenience tube of OptiFusion Gel, AmerGlow cable stripping tool, steel fiber cutting shield, and lens tightening tool.



22000800 22000900 22001000 22001100 22102000

See page 442 for replacement parts.

UltraGlow™ Perimeter Fiber Optic Cable



Featured Highlights

Ultra Glow

- Available in 25, 50 or 75 fibers
- UltraGlow 50, 100% brighter than 25 fibers; UltraGlow 75 triple the brilliance of 25 fibers

FW Glow

- Circular perimeter cable available in 25 or 50 fibers
- Easily installs inside Cinderella or Ft. Wayne coping

C-Track

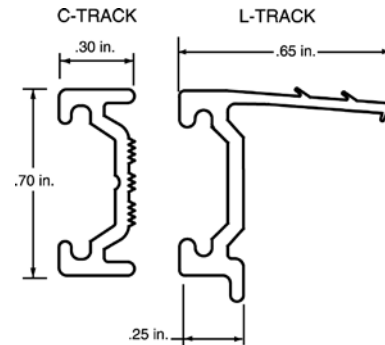
- Cleaner design for professional gunite and fiberglass installs. Available in clear or white PVC
- Rigid PVC, can be formed for radius. Stainless steel screws and anchors included

L-Track

- Easier renovation for vinyl pools
- Rigid PVC, can be formed for radius and can be used with coping forms

Other Tracks

- Stegmeier, Cardinal Systems coping, Pacific coping, Fox coping, Pleasure Way coping, Modern Pool Systems coping, Arbor, Cinderella, Quaker, Mortex
- Using a spline tool when installing UltraGlow perimeter cable can save you hours on installation



UltraGlow Perimeter Fiber Optic Cable

UltraGlow™ 25, 50 and 75 - Perimeter Fiber Optic Cable (patent 5,680,496) UltraGlow™ is translucent, side illuminating fiber optic cable designed to install under the coping of your pool or spa. Its exclusive design promotes superior performance and ease of installation. UltraGlow 25, 50 and 75 installs in a variety of simple, professional patented track systems, for concrete, vinyl or fiberglass. Fiber Optic Track is also available in concrete coping forms and vinyl liner aluminum coping from the manufacturer's listed below. (When appropriate be sure to specify FW cable.)

Ordering Information

Product	Description	Carton Wt (Lbs)
FW GLOW 50		
840089	FW Glow 50 – 125 ft.	22
840090	FW Glow 50 – 150 ft.	24
840091	FW Glow 50 – 200 ft.	33
840092	FW Glow 50 – 500 ft.	58
FW GLOW 25		
840087	FW Glow 25 – 125 ft.	22
840048	FW Glow 25 – 150 ft.	24
840049	FW Glow 25 – 200 ft.	33
840018	FW Glow 25 – 500 ft.	58
840019	FW Glow 25 – 1,000 ft.	58
C-TRACK FOR CONCRETE OR FIBERGLASS POOLS		
21004200	104 ft., 8 ft. x 13 pcs. track, white PVC	8
21004800	104 ft., 8 ft. x 13 pcs. track, clear PVC	8
21007200	Tube of RTV silicone adhesive ¹	1
840071	Track screw and anchor set (qty. 40)	1
L-TRACK FOR VINYL POOLS & ACCESSORIES		
840158	Spline Tool for installing Ultra-Glow Cable	0.5
21005100	104 ft., Rigid L-track, 8 ft. x 13 pcs., white	8
22001500	Vinyl Liner Step Kit ²	3
23501900	Step entry fitting ³	0.175

Product	Description	Carton Wt (Lbs)
ULTRAGLOW 75		
840094	UltraGlow 75 – 125 ft.	22
840095	UltraGlow 75 – 150 ft.	24
840096	UltraGlow 75 – 200 ft.	33
840097	UltraGlow 75 – 500 ft.	58
ULTRAGLOW 50		
21007500	UltraGlow 50 – 125 ft.	22
21007600	UltraGlow 50 – 150 ft.	24
21007700	UltraGlow 50 – 200 ft.	33
21007800	UltraGlow 50 – 500 ft.	58
21007900	UltraGlow 50 – 1000 ft.	130
ULTRAGLOW 25		
21003500	UltraGlow 25 – 125 ft.	12
21003600	UltraGlow 25 – 150 ft.	13
21003700	UltraGlow 25 – 200 ft.	18
21003800	UltraGlow 25 – 500 ft.	30
21003900	UltraGlow 25 – 1000 ft.	68

¹ 3 tubes required per 104 ft. of track.

² Kit includes: 24 ft. white C-track, 1 tube silicone adhesive and step entry fitting.

³ For use with all UltraGlow perimeter cable.

FIBERworks®

TODAYS DATE: _____

DATE REQUIRED: _____

(PLEASE NOT "ASAP")

FIBERCARD

FIBERworks® Computer Assisted Design

FAX to: 919-566-8924

TOTAL PAGES: _____

YOUR NAME: _____

COMPANY NAME: _____

JOB NAME: _____

FAX: _____

PHONE: _____

E-MAIL: _____

PENTAIR SALES REP: _____

This form is designed to help optimize the installation of FIBERworks fiber optic lighting in pool and spa applications. You can assist our design team and expedite your design request by **completing this entire form**. Please FAX with a **scale** plan of the pool design showing the location of the main residence and at least one scaled dimension line.

Please Check One:

Pool Type:	<input type="radio"/>	Gunite/Shotcrete	<input type="radio"/>	Vinyl	<input type="radio"/>	Fiberglass
------------	-----------------------	------------------	-----------------------	-------	-----------------------	------------

Pool Finish: Please specify exact name and color of pool finish or liner.

Concrete/Fiberglass: _____

(COLOR / TYPE OF FINISH)

Vinyl: _____

(LINER MANUFACTURER & EXACT PATTERN NAME)

(If vinyl, are you using a cantilever style step?) No Yes

Submitted Drawing Requirements:

To design the optimal lighting arrangement we ask that you provide the following information here and on your pool plan. **Please show house location, step location, deck plan around pool and at least one reference dimension.**

Pool Dimensions: Width(s): _____ Lengths(s): _____ Depths(s): _____

Deck Width: Shallow or Right End: _____ Deep or Left End: _____ Sides: _____

Lighting Mix: FIBERworks in: Pool Spa Waterfall Fountain Landscape Perimeter Other _____

Do you use Bulk AmerGlow Cable? Yes No

SAm/SAL Light(s) in: Pool Spa 120 Volt 12 Volt Cord Length(s) _____ Feet

FIBERworks Perimeter Cable Size: 25 50 75 -Using Coping with F/O track? No Yes: Mfg Name: _____

PG2000 Model:

- White Only (P/N 840240)
- Color - Basic Unit (P/N 840241)
- Color Synchronized - (P/N 840242)
- Remote Control Option for above Color Units

Halogen/Quartz

Metal Halide

PG2000 Location: _____ **Number of PG2000 Units Desired (if known):** _____

It is important to keep the PG2000 as close to the pool as possible. Your largest or most important fiber optic lights should have the shortest runs to the PG2000. In doing this you will optimize the performance of your lighting system as well as save costs. Please indicate, on the drawing, where you would like the PG2000. **If a site is not selected our design team will select the optimal site for you.**

Electrical Code Required Setback to PG2000: 5', 10', Other _____, If outside wall or screen: _____ Feet

Additional Information: _____

FIBERworks ...more light, more color, more friendly!

Fountain Lights and Fixtures

For use in Fountains and Ponds



Featured Highlights

Fountain Fixtures

- Sturdy cast bronze construction with attractive natural bronze finish
- Base and yoke-mount rotate 360° and pivot 180°
- Integrated bonding lug for electrical safety
- Exclusive strain-relief prevents damage to wiring connections
- Niche installation option available
- Large fixture for use with the SAm® Light for water fountains, Amerlite® and AmerQuartz® lights listed for fountain use
- Small fixture for use with SAL®, Aqualight®, and SpaBrite® lights listed for fountain use

SAm Light for Water Fountains

- For use with Pentair fountain fixtures and niche kits
- Same functionality and color cycles as the standard SAm for swimming pools
- Selectable beam pattern lens for standard and wide beam angle options



Fountain Fixture for Large Lights



Fountain Fixture for Small Lights



Fountain Rock Guard for Small Niches



Fountain Rock Guard for Large Niches

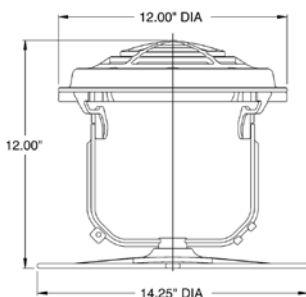
Pentair Fountain Fixtures are the only fixtures that offer true color lighting capabilities, as well as traditional white lighting. When combined with Pentair's SAm® light for water fountains or Pentair's SAL® automated color lights, these systems can bathe fountains in a constantly changing spectrum of color. Both large and small fixtures are designed for easy installation and for use with Pentair Pool Products lights only.

Ordering Information

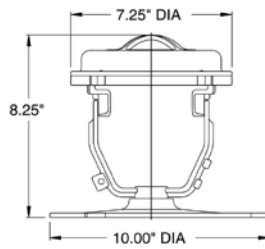
Product	Description	Carton Qty	Carton Wt (Lbs)
SAM LIGHT FOR WATER FOUNTAINS			
600061	SAm light - 120 volt, 30 ft. cord	1	8
600062	SAm light - 120 volt, 50 ft. cord	1	10
FOUNTAIN FIXTURES			
560000	Fountain fixture for large lights with rock guard ¹	1	15
560001	Fountain fixture for small lights with rock guard ¹	1	9
FOUNTAIN ROCK GUARDS			
560002	Fountain rock guard for large niches ²	1	7
560003	Fountain rock guard for small niches ²	1	4

¹ Light is sold separately, ² Light and niche sold separately

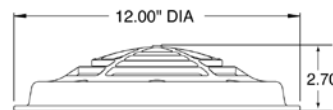
Dimensions and Certifications



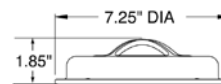
Fountain Fixture for Large Lights



Fountain Fixture for Small Lights



Fountain Rock Guard for Large Niches



Fountain Rock Guard for Small Niches



Note: Underwriters Laboratories has listed Pentair Pool Products lights for use with Pentair Pool Products, American Products, Purex, or PacFab niches only. To ensure proper grounding/bonding connections install only Pentair Pool Products lights in Pentair Pool Products, American Products, Purex, or PacFab niches.

See page 432 for SAm light replacement parts

See page 441 for Fountain Fixture replacement parts

Canadian Pool Lights

Canadian Pool Lights



Ordering Information

Product	Description	Voltage	Wattage	Cord Length	Carton Qty	Carton Wt (Lbs)
INTELLIBRITE LED LIGHTS (Page 99-102)						
IntelliBrite 5g color LED pool lights, spa lights and IntelliBrite White LED (Generation 2) pool and spa lights are CSA approved. Please see pages 99-102 for all available part numbers.						
SPECTRUM AMERLITE® (SAM®) LIGHT (Page 103)						
600022	SAM Light	120	150	50	1	15
600037	SAM Light	12	150	50	1	10
AMERLITE WITH STAINLESS STEEL FACE RING (Page 105)						
78453102	AmerLite Light	120	500	30	4	11
SPABRITE® WITH STAINLESS STEEL FACE RING (Page 107)						
78103102	SpaBrite Light	120	100	30	12	9
78103202	SpaBrite Light	12	100	30	12	9
AQUALIGHT® (Page 108)						
77113102	AquaLight	120	100	30	12	9
77163102	AquaLight	120	250	30	12	9
AQUALUMINATOR® (Page 110)						
600042	Quasar 500 CSA				8	6
98610002	AquaLuminator 2000				8	6
98610042	AquaLuminator 2000 w/ Fountain - CSA				8	6
LARGE STAINLESS STEEL NICHE FOR CONCRETE INSTALLATION (Page 123)						
78210701	3/4 in. rear hub				1	0.25
LARGE STAINLESS STEEL NICHE FOR VINYL AND FIBERGLASS INSTALLATION (Page 123)						
78232401	3/4 in. rear hub				12	3
SMALL STAINLESS STEEL NICHE FOR CONCRETE INSTALLATION (Page 124)						
78244202	3/4 in. rear hub				12	3
SMALL STAINLESS STEEL NICHE FOR MANUFACTURED POOLS, SPAS & TUBS (Page 124)						
78241202	3/4 in. top hub				12	2
78242202	3/4 in. rear hub				12	2
NICHE CONCRETE SHIELD						
45361500	Niche shield for SpaBrite/AquaLight Niche				1	0.25.
45361000	Niche shield, concrete/plaster for AmerLite				1	0.25
ACCESSORIES						
05103-0050	100W Transformer RH Ring				1	10
05103-0051	300W Transformer RH Ring				1	11

Dimensions and Certifications



Note: All 120 volt pool and spa lights must be connected to a branch circuit protected by a ground fault circuit interrupter (GFCI).

Note: Underwriters Laboratories has listed Pentair Pool Products lights for use with Pentair Pool Products, American Products, Purex, or PacFab niches only. To ensure proper grounding/bonding connections install only Pentair Pool Products lights in Pentair Product lights in Pentair Pool Products, American Products, Purex, or PacFab niches.

Pentair Large Stainless Steel Niches

Niches for Swimming Pools and Spas



Featured Highlights

- Niches for all installations
- Stainless steel housing
- Brass hub: 1/2, 3/4, or 1 in.
- Internal/external bonding lugs
- Vinyl niches with chrome/brass sealing rings
- Sandwich gasket for vinyl
- Powder coated sealing ring (optional)



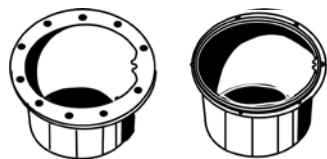
Pentair Large Niches

Large stainless steel niches are formed with brass fittings. All niches have internal and external grounding lugs for use with either metal or PVC conduit.

Ordering Information

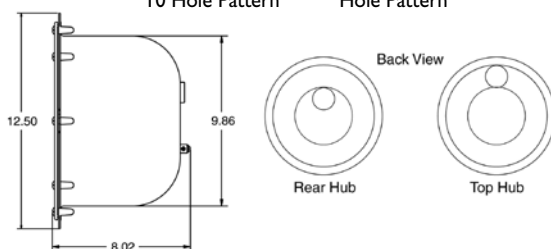
Product	Description	Carton Qty	Carton Wt (Lbs)
LARGE STAINLESS STEEL NICHES FOR CONCRETE INSTALLATION			
78210200	1/2 in. top hub	12	3
78210300	1/2 in. rear hub	12	3
78210400	3/4 in. top hub	12	3
78210500	1 in. top hub	12	3
78210600	1 in. rear hub	12	3
78210700	3/4 in. rear hub	12	3
VINYL AND FIBERGLASS INSTALLATION, STANDARD 10 HOLE PATTERN			
78232400	Fiberglass/liner, 3/4 in. rear hub	12	5
78232500	Fiberglass/liner, 1 in. rear hub	12	5
LARGE STAINLESS STEEL NICHE, CONCRETE SHIELD			
45361000	Niche Shield for construction	1	0.325
79211600	Niche plaster ring	1	5
POWDER COATED SEALING RINGS, VINYL/FIBERGLASS			
79200255	Sealing ring, large niche	1	0.01
SCOTCHCAST SEALANT FOR NICHE BONDING LUGS			
60028300	Scotchcast™ 2135 Sealant	1	0.0375

Dimensions and Certifications



Standard 10 Hole Pattern

Gunite Hole Pattern



Notice: Underwriters Laboratories has listed Pentair Pool Products lights for use with Pentair Pool Products, American Products, Purex, or PacFab niches only. To ensure proper grounding/bonding connections install only Pentair Pool Products lights in Pentair Pool Products, American Products, Purex, or PacFab niches.

See page 444 for replacement parts.

Pentair Small Stainless Steel Niches

Niches for Swimming Pools and Spas



Pentair Small Niches

Small stainless steel niches are formed with brass fittings. All niches have internal and external bonding lugs and can be used with either metal or PVC conduit.

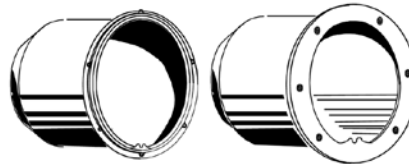
Featured Highlights

- Stainless steel housing
- Brass hub: 1/2, 3/4, 1 in.
- Internal/external bonding lugs
- Vinyl niches with chrome/brass sealing rings
- Niches for all installations
- Sandwich gasket for vinyl

Ordering Information

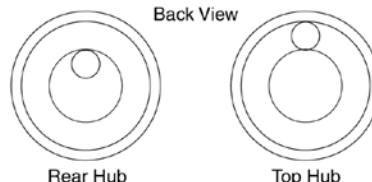
Product	Description	Carton Qty	Carton Wt (Lbs)
SMALL STAINLESS STEEL NICHES FOR CONCRETE INSTALLATION			
78244100	Concrete pools or spas, 1/2 in. rear hub	12	2
78244200	Concrete pools or spas, 3/4 in. rear hub	12	2
78244300	Concrete pools or spas, 1 in. rear hub	12	2
MANUFACTURED POOLS, SPAS & TUBS INSTALLATION			
78242200	Manufactured pools, spas & tubs, 3/4 in. rear hub	12	3
78242300	Manufactured pools, spas & tubs, 1 in. rear hub	12	3
78243100	Concrete pools or spas, 1/2 in. top hub	12	2
78243200	Concrete pools or spas, 3/4 in. top hub	12	2
78243300	Concrete pools or spas, 1 in. top hub	12	2
SMALL STAINLESS STEEL NICHE SHIELD			
45361500	Niche shield for SpaBrite/AquaLight Niche	1	0.25
VINYL/FIBERGLASS NICHE SEALING RING, POWDER-COATED			
79206055	Sealing ring, small niche	1	0.01
SCOTCHCAST SEALANT FOR NICHE BONDING LUGS			
60028300	Scotchcast™ 2135 Sealant	1	0.325

Dimensions and Certifications



Gunite

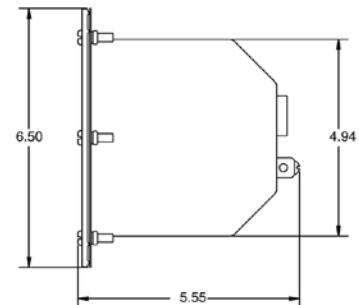
Manufactured



Back View

Rear Hub

Top Hub



Notice: Underwriters Laboratories has listed Pentair Pool Products lights for use with Pentair Pool Products, American Products, Purex, or PacFab niches only. To ensure proper grounding/bonding connections install only Pentair Pool Products lights in Pentair Product lights in Pentair Pool Products, American Products, Purex, or PacFab niches

See page 445 for replacement parts.

Plastic Niches

Plastic Niches for Swimming Pools and Spas



Featured Highlights

Gunite Plastic Niches:

- Exclusive cord seal grommet (Accessory sold separately)
- Large and small models
- Rebar tie-backs
- Plaster ring for secure sealing
- Internal/external bonding lugs
- High strength PVC construction
- Rear one inch PVC hub
- Includes 45° and 3/4 in. reducer bushings
- Includes gunite/plaster shield

QuickNiche:

- Revolutionary design mounts and seals like a vinyl inlet fitting
- No screws directly through the pool wall as with conventional vinyl niches
- Designed for quick and easy, one-person installation
- Rubber gasket overmolded on seal ring for superior sealing
- Built-in current-collecting ring for maximum safety
- Zero wall panel exposure
- Fits standard niche panel
- UL listed



Gunite Plastic Niches - These plastic concrete niches are molded of high strength, corrosion resistant PVC with a one inch PVC hub. Both 45° and 3/4 in. reducer bushings are included. Gunite models feature rebar tie-backs and a plaster ring for clean, simple installations and all are packed with a gunite/plaster shield Protected by U.S. Patent Pending.

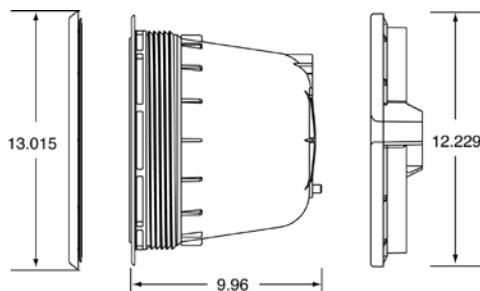
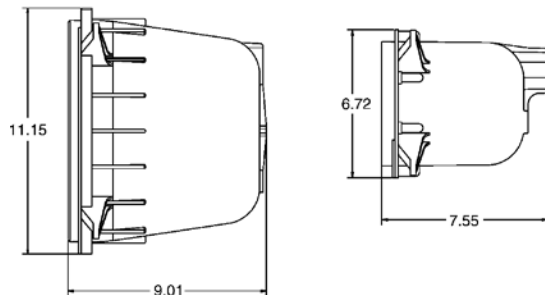


QuickNiche™ - One look at the QuickNiche is all it takes to see that this is a product that really lives up to its name. It is an easy-to-install, super-sealing light niche for vinyl liner pools. It features a revolutionary lock-ring design that mounts and seals like a vinyl inlet fitting fast, secure, and totally leak proof. Protected by U.S. Patent Number 6,250,776

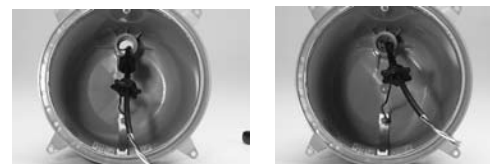
Ordering Information

Product	Description	Carton Qty	Carton Wt (Lbs)
PLASTIC NICHE - CONCRETE			
79206600	Small PVC niche, concrete	12	2
79206700	Large PVC niche, concrete	8	3
PLASTIC NICHE - VINYL			
620004	QuickNiche ¹	1	1
630043	QuickNiche blue seal ring	1	1
630044	QuickNiche grey seal ring	1	1
ACCESSORIES			
670044	Cord Seal Grommet Kit, (Qty 3)	3	1

¹ Cord seal grommet not available for Quick Niche



Dimensions and Certifications



Exclusive cord seal grommet accessory (p/n 670044)

Notice: Underwriters Laboratories has listed Pentair Pool Products lights for use with Pentair Pool Products, American Products, Purex, or PacFab niches only. To ensure proper grounding/bonding connections install only Pentair Pool Products lights in Pentair Pool Products, American Products, Purex, or PacFab niches.

See page 445-446 for replacement parts.

Light Accessories and Junction Boxes

Add-on Features and Accessories for all Pentair Lights



Add-on Light Features and Accessories

Our optional light and niche features are designed to enhance our standard products and accommodate your specific project requirements.

Featured Highlights

Kwik-Change Lens Covers

- Powder coated vinyl niche sealing ring
- Snap-on plastic face rings available for s/s lights

J-Boxes Protected by U.S. Patent Pending

- Available in 3 sizes: 1/2, 3/4 & 1 in.
- Polycarbonate cover with brass base
- Built-in strain relief
- UL listed

Ordering Information

Product	Description	Carton Qty	Carton Wt (Lbs)
KWIK-CHANGE LENS COVERS			
650015	SpaBrite/AquaLight lens, magenta	1	0.5
650016	SpaBrite/AquaLight lens, purple	1	0.5
650017	SpaBrite/AquaLight lens, teal	1	0.5
650018	SpaBrite/AquaLight lens, green	1	0.5
650019	SpaBrite/AquaLight lens, 6 assorted colors	1	0.5
78883700	AquaLumin (4 assorted colors)	1	0.8
78883701	AquaLumin lens, blue	1	0.5
78883702	AquaLumin lens, red	1	0.5
78883703	AquaLumin lens, green	1	0.5
78883704	AquaLumin lens, amber	1	0.5
78900100	Amerlite/AmerQuartz lens (4 assorted colors)	12	2
78900700	Amerlite/AmerQuartz lens, green	1	0.5
78900800	Amerlite/AmerQuartz lens, blue	1	0.5
78900900	Amerlite/AmerQuartz lens, red	1	0.5
78901000	Amerlite/AmerQuartz lens, amber	1	0.5
79108900	SpaBrite/AquaLight lens, red	1	0.5
79109000	SpaBrite/AquaLight lens, blue	1	0.5

Product	Description	Carton Qty	Carton Wt (Lbs)
SNAP-ON PLASTIC FACE RINGS FOR AMERLITE			
79212111	Black	1	0.01
79212100	White	1	0.01
79212165	Grey	1	0.01
79213111	Black	24	0.01
79213100	White	24	0.01
SNAP-ON PLASTIC FACE RINGS FOR SPABRITE/AQUALIGHT			
79212200	White	1	0.01
79212211	Black	1	0.06
79212265	Grey	1	0.06
VINYL NICHE SEALING RING, WHITE POWDER-COATED			
79200255	Sealing ring, large niche	1	0.01
79206055	Sealing ring, small niche	1	0.01
JUNCTION BOX BRASS BASE W/POLYCARBONATE COVER¹			
78310500	(3) - 1/2 in. ports	12	1
78310600	(3) - 3/4 in. ports	12	1
78310700	3/4 in. x 1 in. x 3/4 in. ports	12	1

¹ UL Listed.

Dimensions and Certifications

