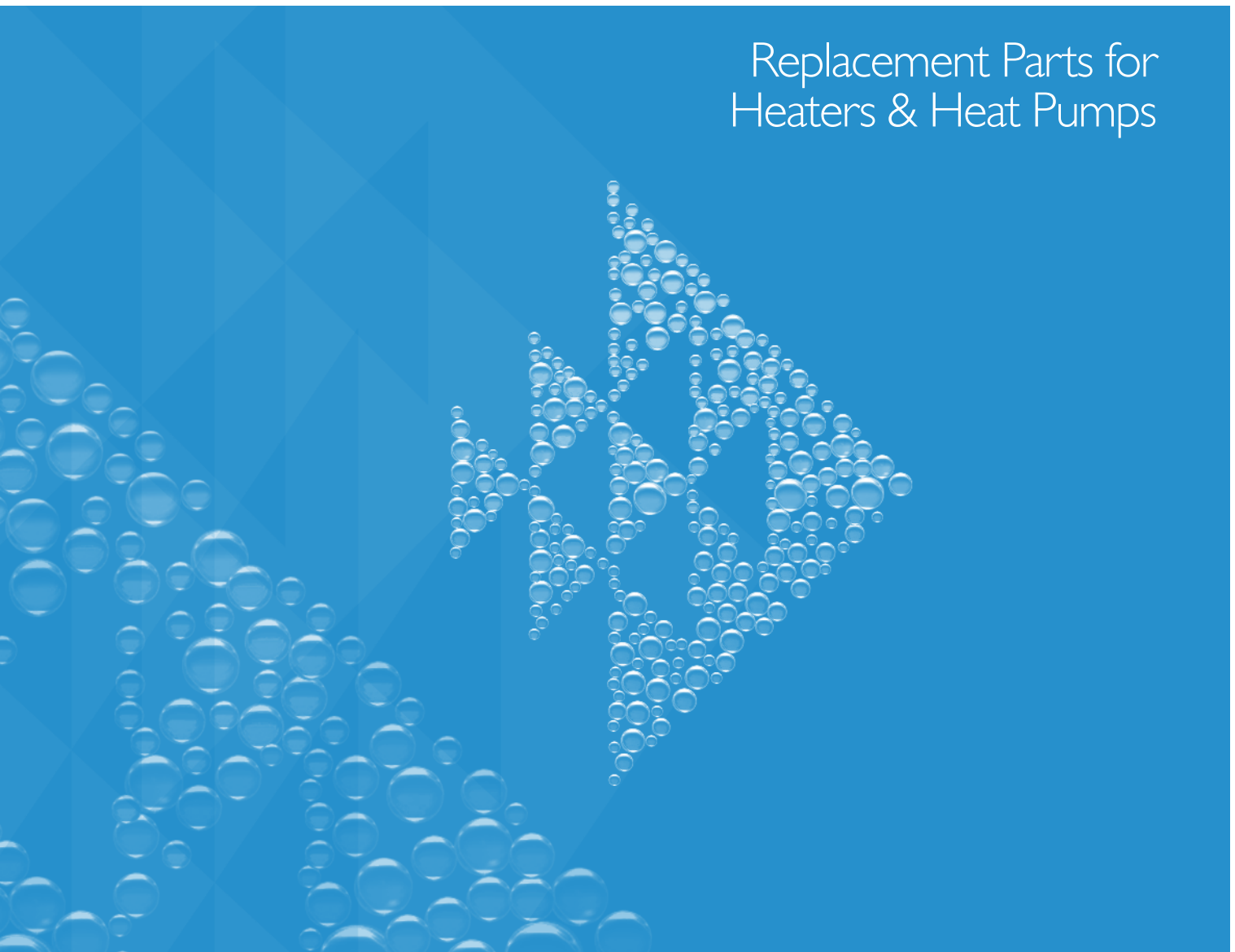


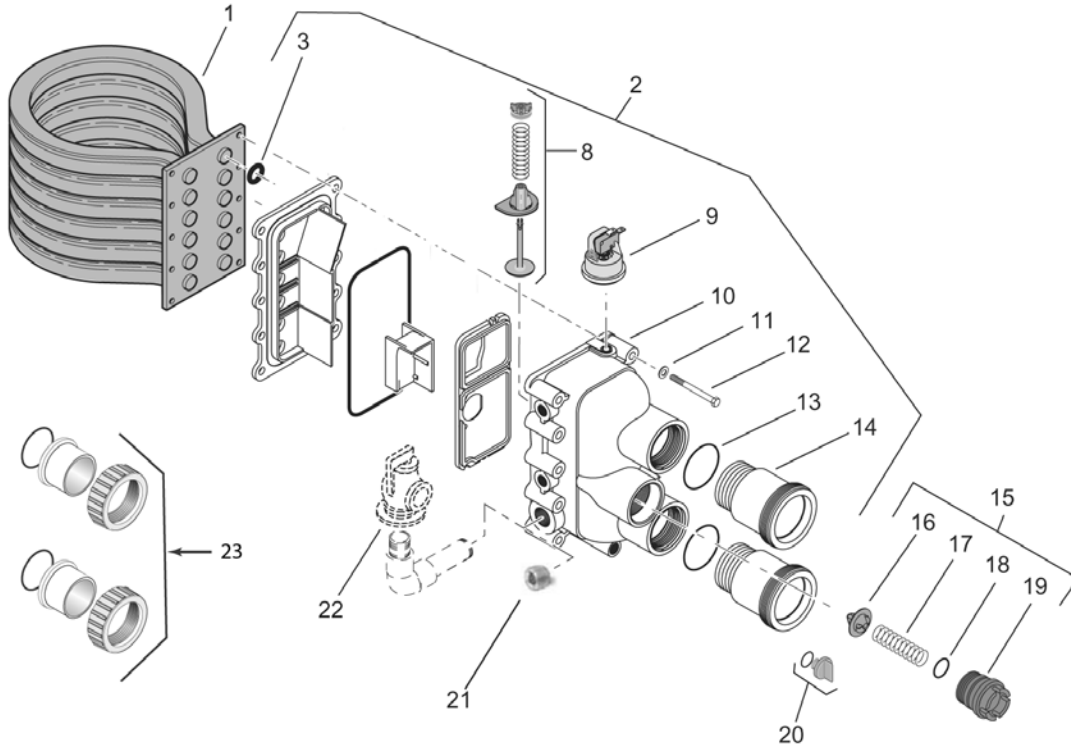
# Heater & Heat Pump Parts

Replacement Parts for  
Heaters & Heat Pumps



# MasterTemp® Heater

## Water System Replacement Parts



Item	Part No.	Description	US List	Can. List
<b>WATER SYSTEM</b>				
I	77707-0232	Tube Sheet Coil Assembly Kit (Includes Item No.3) Models 175NA, 175LP, 200NA, 200LP	804.31	900.83
I	474058	Tube Sheet Coil Assembly Kit (Includes Item No.3) Models 175NA, 175LP, 200NA, 200LP <sup>1</sup>	930.56	1042.23
I	460747	Tube Sheet Coil Assembly Kit (Includes Item No.3) Models 250NA, 250LP	748.21	838.00
I	474059	Tube Sheet Coil Assembly Kit (Includes Item No.3) Models 250NA, 250LP <sup>1</sup>	1083.33	1213.33
I	77707-0233	Tube Sheet Coil Assembly Kit (Includes Item No.3) Models 300NA, 300LP	1164.13	1303.83
I	474060	Tube Sheet Coil Assembly Kit (Includes Item No.3) Models 300NA, 300LP <sup>1</sup>	1236.11	1384.44
I	77707-0234	Tube Sheet Coil Assembly Kit (Includes Item No.3) Models 400NA, 400LP	1375.76	1540.85
I	474061	Tube Sheet Coil Assembly Kit (Includes Item No.3) Models 400NA, 400LP <sup>1</sup>	1388.89	1555.56
I	77707-0244	Tube Sheet Coil Assembly Kit (Includes Item No.3) Models 400HDNA, 400HD-LP	1612.55	1806.06
I	474065	Tube Sheet Coil Assembly Kit (Includes Item No.3) Models 400HDNA, 400HD-LP <sup>1</sup>	2263.89	2535.56
I	473710	Tube Sheet Coil Assembly Kit - HD Series - (Includes Item No. 3) Models 250HDNA, 250HD-LP	1832.88	2052.83
I	474063	Tube Sheet Coil Assembly Kit - HD Series - (Includes Item No. 3) Models 250HDNA, 250HD-LP <sup>1</sup>	1663.89	1863.56

<sup>1</sup> For Heaters Manufactured after 1/12/09 (New Tub Design)

NOTE: Kits include: Clamp, O-Ring, and Silicone Tube

# MasterTemp® Heater

## Water System Replacement Parts



Item	Part No.	Description	US List	Can. List
<b>WATER SYSTEM</b>				
2	77707-0014	Manifold Kit (Includes Item Nos. 3-14, 21, and Item Nos. 5-7 in "Electrical System ", Models 175NA, 175LP, 200NA, 200LP	496.18	555.72
2	460748	Manifold Kit (Includes Item Nos. 3-14, 21, and Item Nos. 5-7 in "Electrical System ", Models 250NA, 250LP	461.56	516.95
2	77707-0015	Manifold Kit (Includes Item Nos. 3-14, 21, and Item Nos. 5-7 in "Electrical System ", Models 300NA, 300LP	496.18	555.72
2	77707-0016	Manifold Kit (Includes Item Nos. 3-14, 21, and Item Nos. 5-7 in "Electrical System ", Models 400NA, 400LP	496.18	555.72
3	77707-0117	Coil/Tubesheet Sealing O-Ring Kit - Models 175NA, 175LP, 200NA, 200LP (6)	41.67	46.67
3	460749	Coil/Tubesheet Sealing O-Ring Kit - Models 250NA, 250LP (8)	41.67	46.67
3	77707-0118	Coil/Tubesheet Sealing O-Ring Kit - Models 300NA, 300LP (10)	41.67	46.67
3	77707-0119	Coil/Tubesheet Sealing O-Ring Kit - Models 400NA, 400LP (12)	41.67	46.67
8	77707-0001	Manifold Bypass Valve Kit	44.14	49.44
9	42001-0060S	Water Pressure Switch	63.72	71.37
9	473716Z	Water Pressure Switch (ASME)	236.41	264.78
14	77707-0017	Connector Tube Kit (Includes 1 Connector Tube and 1 O-Ring)	42.34	47.42
15	77707-0010	Thermal Regulator Kit (Incl. Item Nos.16,17,18,19 and Spring Clip)	80.65	90.33
16	38000-0007S	Thermal Regulator (Includes Spring Clip)	55.56	62.23
18	35505-1313	Thermal Regulator Cap O-Ring	3.93	4.40
20	U178-920P	Drain Plug	2.57	2.88
21	U78-60ZPS	Zinc Plug 428-60 PS	5.44	6.09
22	473715Z	Pressure Relief Valve	121.76	136.37
23	PKG 188	2" Union Adapter Package (Includes 2)	23.51	26.33
<b>NOT SHOWN</b>				
	77707-0120	O-Ring Kit (Incl. Item Nos.3, 5)	35.48	39.74
	472648Z	Bypass Access Plug (ASME)	286.13	320.47
	460940	6 Tube Pressure Vessel Kit (ASME) <sup>2</sup>	2386.11	2672.44
	474096	6 Tube Pressure Vessel Kit (ASME) <sup>3</sup>	2708.33	3033.33
	460941	4 Tube Pressure Vessel Kit (ASME) <sup>2</sup>	2138.89	2395.56
	474097	4 Tube Pressure Vessel Kit (ASME) <sup>3</sup>	2430.56	2722.23
	460923	Bypass Valve Kit - includes install kit	361.11	404.44
	460924	Thermal Regulator Kit (incl. Spring clip) (ASME)	232.69	260.61

<sup>2</sup> For ASME Heaters Manufactured prior to 3/24/09 (Old Tub Design)

<sup>3</sup> For ASME Heaters Manufactured after 3/24/09 (New Tub Design)

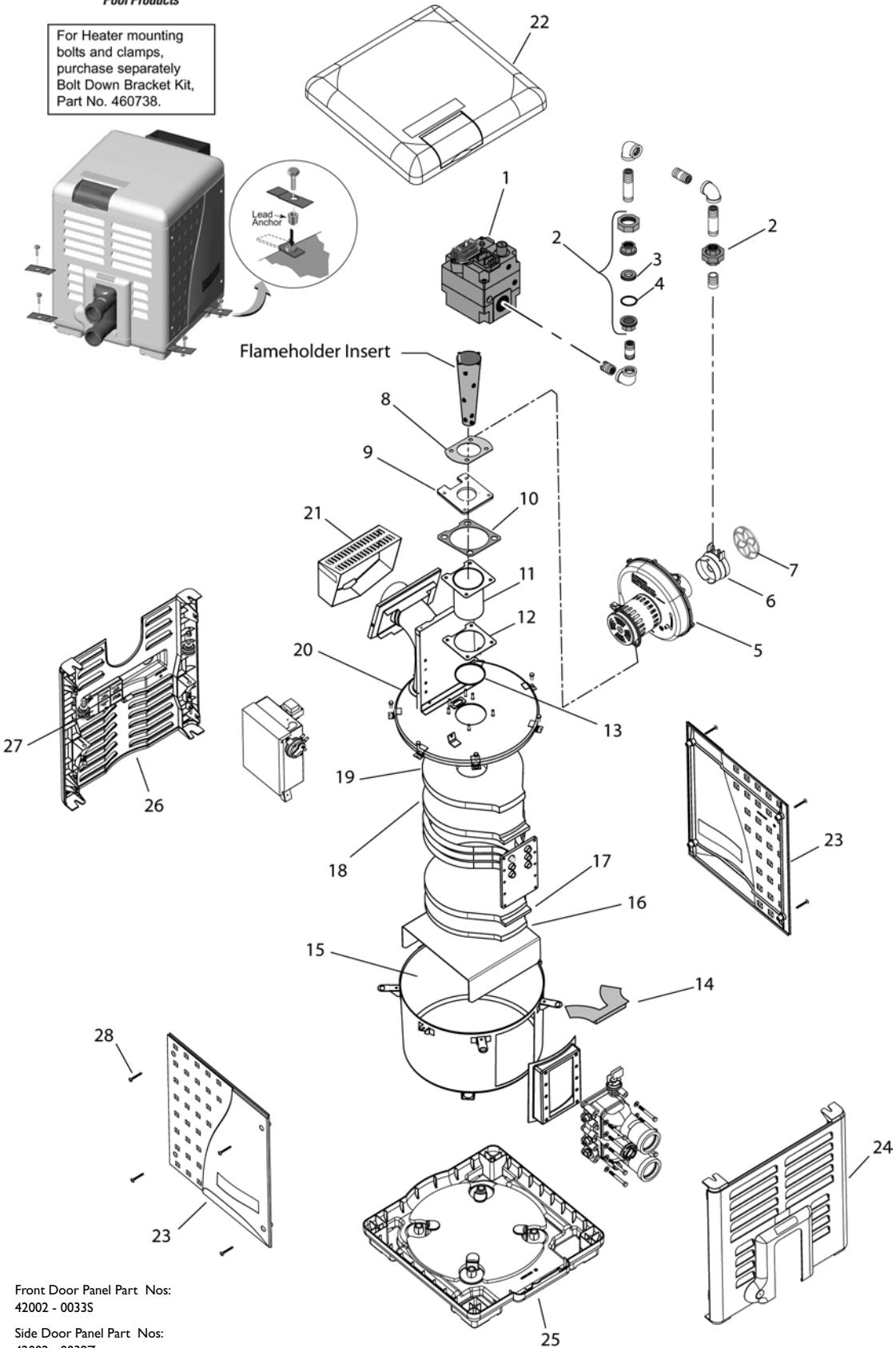
NOTE: Kits (New Tub Design) include: Clamp, O-Ring, Silicone Tube, and Insulation.

# MasterTemp® Heater

## Burner System Replacement Parts



For Heater mounting bolts and clamps, purchase separately Bolt Down Bracket Kit, Part No. 460738.



Front Door Panel Part Nos:  
42002 - 0033S

Side Door Panel Part Nos:  
42002 - 0039Z

# MasterTemp® Heater (Cont'd)

## Burner System Replacement Parts

Item No.	Part No.	Description	Qty.	US List	Can. List	Item No.	Part No.	Description	Qty.	US List	Can. List
<b>BURNER SYSTEM</b>						<b>NOT SHOWN</b>					
1	42001-0051S	Combination Gas Control Valve Kit	1	338.51	379.13	77707-0461		Gas Orifice Kit – Propane, Model 200 (Incl. Item Nos.3 and 4) <sup>1</sup>	1	42.38	47.47
2	38404-4097S	¾" Union	2	27.78	31.11	460740		Gas Orifice Kit – Propane, Model 250 (Incl. Item Nos.3 and 4) <sup>1</sup>		39.42	44.15
5	77707-0251	Air Blower Kit - Natural Gas Units (Models 175NA, 200NA)	1	640.07	716.88	460754		Gas Orifice Kit – Propane, Model 300 (Incl. Item Nos.3 and 4) <sup>1</sup>		39.42	44.15
5	460743	Air Blower Kit - Natural Gas Units (Models 250NA)	1	833.33	933.33	77707-0441		Gas Orifice Kit – Propane, Model 400 (Incl. Item Nos.3 and 4) <sup>1</sup>		42.38	47.47
5	460757	Air Blower Kit - Natural Gas Units (Models 300NA)	1	595.42	666.87	460794		NG to Propane Conversion Kit Model 175 (Incl. Item Nos. 3 and 4) <sup>1</sup>		58.61	65.64
5	77707-0253	Air Blower Kit - Natural Gas Units (Models 400NA)	1	640.07	716.88	77707-1461		NG to Propane Conversion Kit Model 200 (Incl. Item Nos. 3 and 4) <sup>1</sup>	1	43.82	49.08
5	77707-0254	Air Blower Kit - Propane Units (Models 175LP, 200LP)	1	640.07	716.88	460741		NG to Propane Conversion Kit Model 250 (Incl. Item Nos. 3 and 4) <sup>1</sup>		40.77	45.66
5	460744	Air Blower Kit - Propane Units (Models 250LP)	1	595.42	666.87	460755		NG to Propane Conversion Kit Model 300 (Incl. Item Nos. 3 and 4) <sup>1</sup>		40.77	45.66
5	460758	Air Blower Kit - Propane Units (Models 300LP)	1	595.42	666.87	77707-1441		NG to Propane Conversion Kit Model 400 (Incl. Item Nos. 3 and 4) <sup>1</sup>		43.82	49.08
5	77707-0256	Air Blower Kit - Propane Units (Models 400LP)	1	640.07	716.88	460795		Propane to NG Conversion Kit Model 175 (Incl. Key Nos. 3 and 4) <sup>1</sup>		58.61	65.64
7	460798	Air Orifice Kit - Model 175 (Includes Item Nos.6 and 7)		CALL	CALL	77707-1431		Propane to NG Conversion Kit Model 200 (Incl. Key Nos. 3 and 4) <sup>1</sup>	1	43.82	49.08
7	77707-0111	Air Orifice Kit - Model 200 (Includes Item Nos.6 and 7)	1	50.97	57.09	460742		Propane to NG Conversion Kit Model 250 (Incl. Key Nos. 3 and 4) <sup>1</sup>		40.77	45.66
7	460745	Air Orifice Kit - Model 250 (Includes Item Nos.6 and 7)		47.41	53.10	460756		Propane to NG Conversion Kit Model 300 (Incl. Key Nos. 3 and 4) <sup>1</sup>		40.77	45.66
7	460759	Air Orifice Kit - Model 300 (Includes Item Nos.6 and 7)		47.41	53.10	77707-1411		Propane to NG Conversion Kit Model 400 (Incl. Key Nos. 3 and 4) <sup>1</sup>		43.82	49.08
7	77707-0113	Air Orifice Kit - Model 400 (Includes Item Nos.6 and 7)		50.97	57.09	77707-0011		Blower/Adapter Plate Gasket Kit (Includes Item Nos. 8, 9, 10, 12)	1	50.22	56.25
15	42001-0200S	One Piece Metal Chamber/Combustion Chamber Assembly		341.12	382.05	77707-0202		Flameholder Kit - Model 175, Model 200 (Includes Item Nos. 10, 11, 12 & 13)	1	119.28	133.59
15	474095	One Piece Metal Chamber/Combustion Chamber Assembly <sup>2</sup>		527.78	591.11	460746		Flameholder Kit - Model 250 (Includes Item Nos. 10, 11, 12 & 13 and Flameholder insert)		110.96	124.28
20	42001-0214S	One Piece Metal Elbow/Combustion Chamber Cover Assembly		419.96	470.36	77707-0203		Flameholder Kit - Model 300 (Includes Item Nos. 10, 11, 12, 13 & Flameholder Insert)		134.20	150.30
20	474094	One Piece Metal Elbow/Combustion Chamber Cover Assembly <sup>2</sup>		597.22	668.89	77707-0204		Flameholder Kit - Model 400 (Includes Item Nos. 10, 11, 12, 13 & Flameholder Insert)		156.57	175.36
21	42002-0005S	Metal Vent Cover		101.90	114.13	77707-0008		Insulation Kit (Includes Item Nos. 13, 15, 23, 24, 25 and 26)	1	189.02	211.70
22	42002-0034Z	Heater Top		271.79	304.40	42001-0074S		Lower Enclosure Insulation		42.69	47.81
23	42002-0039Z	Side Panel {Service Panel}		265.84	297.74	42001-0214S		Metal Vent Cover Assembly		419.96	470.36
24	42002-0033Z	Side Panel {Manifold}		265.82	297.72						
25	42002-0031	Heater Bottom		CALL	CALL						
26	42002-0032Z	Side Panel {Flue Stack}		200.92	225.03						
27	42002-0041	J Box Cover		CALL	CALL						
<b>NOT SHOWN</b>											
	460796	Gas Orifice Kit – NG, Model 175 (Incl. Item Nos.3 and 4) <sup>1</sup>		52.59	58.90						
	77707-0431	Gas Orifice Kit – NG, Model 200 (Incl. Item Nos.3 and 4) <sup>1</sup>	1	42.38	47.47						
	460739	Gas Orifice Kit – NG, Model 250 (Incl. Item Nos.3 and 4) <sup>1</sup>		39.42	44.15						
	460753	Gas Orifice Kit – NG, Model 300 (Incl. Item Nos.3 and 4) <sup>1</sup>		39.42	44.15						
	77707-0411	Gas Orifice Kit – NG, Model 400 (Incl. Item Nos.3 and 4) <sup>1</sup>		42.38	47.47						
	460797	Gas Orifice Kit – Propane, Model 175 (Incl. Item Nos.3 and 4) <sup>1</sup>		63.35	70.95						

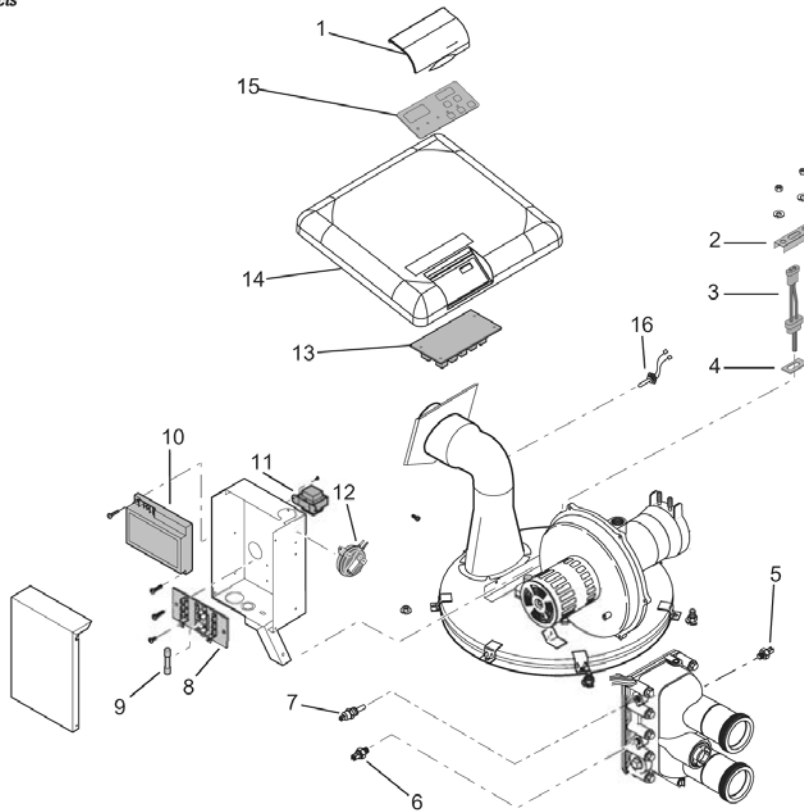
<sup>1</sup> Not included with heater. Order separately.

<sup>2</sup> For Heaters Manufactured After 1/12/09 (New Tub Design)

NOTE: Kits include Clamp Assembly, O-Ring, and Silicone Tube.

# MasterTemp® Heater

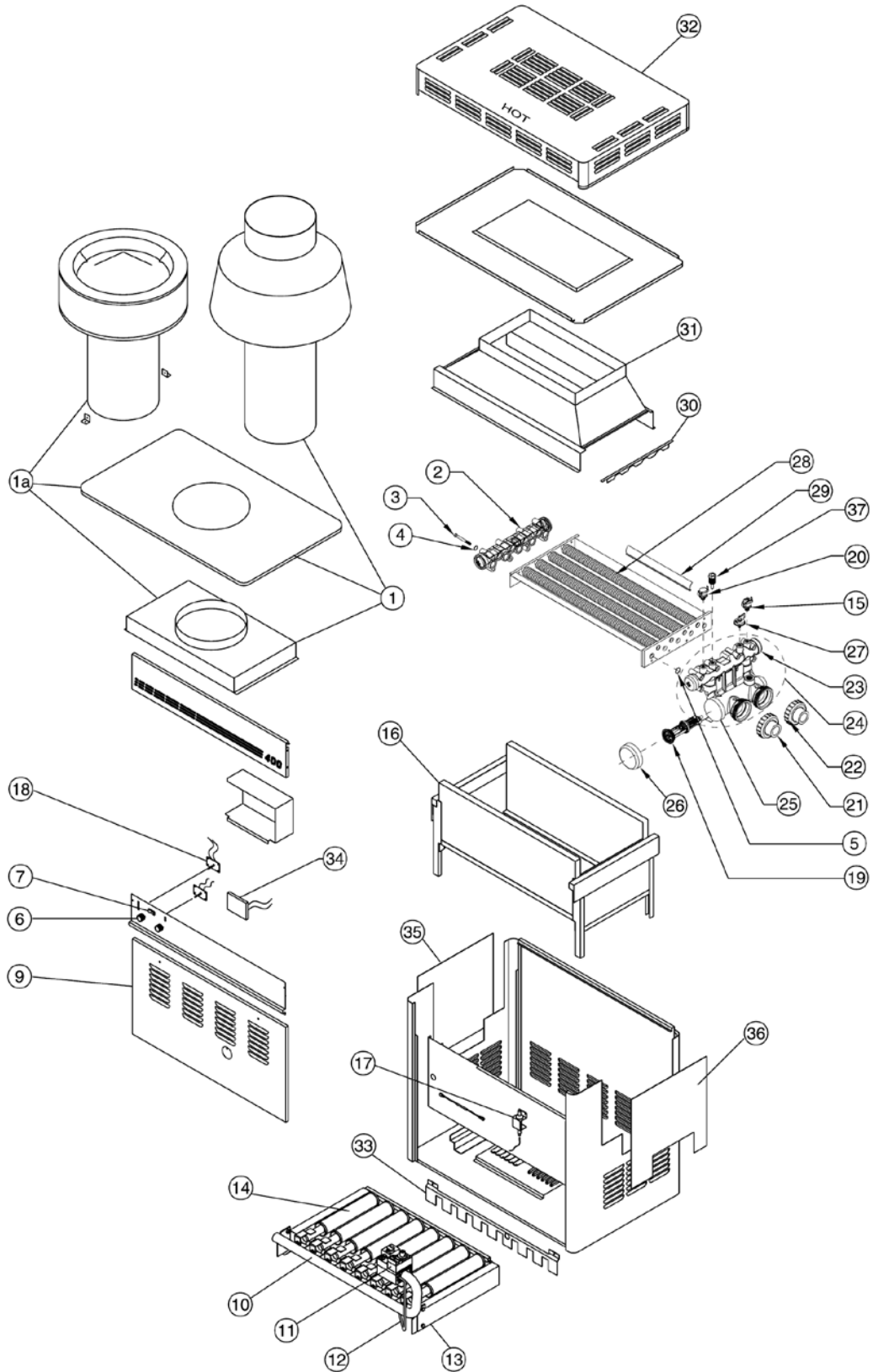
## Electrical System Replacement Parts



Item No.	Part No.	Description	US List	Can. List
<b>ELECTRICAL SYSTEM</b>				
1	42002-0035Z	Heater Display Cover	41.67	46.67
2	42001-0030S	Igniter Bracket	41.67	46.67
3	77707-0054	Igniter/Igniter Gasket Kit, Incl. Item Nos. 3 and 4)	64.57	72.32
4	42001-0066S	Igniter Gasket	41.67	46.67
5	42002-0025S	Automatic Gas Shutoff Switch (AGS)	39.70	44.46
6	42001-0063S	High Limit Switch	48.28	54.07
7	42001-0053S	Thermistor	61.66	69.06
8	42001-0056S	Terminal Board	41.67	46.67
9	32850-0099	Fireman's Switch Fuse (1.25A, 1-1/4")	6.46	7.24
10	42001-0052S	Ignition Control Module	258.87	289.93
11	42001-0107S	Transformer, 115/230V	52.66	58.98
12	42001-0061S	Air Flow Switch	106.76	119.57
13	42002-0007S	Control Board Kit (NA, LP Series)	516.84	578.86
14	42002-0034Z	Heater, Top	271.79	304.40
15	472610Z	Membrane Pad (NA, LP Series)	118.44	132.65
16	42002-0024S	Stack Flue Sensor	92.78	103.91
<b>NOT SHOWN</b>				
	42001-0104S	Heater Wiring Harness - 115/230V	268.10	300.27
	42001-0105S	120/240 Volt Plug Kit	41.67	46.67

# MiniMax<sup>®</sup> CH Heater

## Replacement Parts



# MiniMax® CH Heater (Cont'd)

## Replacement Parts



Item	Part No.	Mod.	Description	Qty.	US List	Can. List	Item	Part No.	Mod.	Description	Qty.	US List	Can. List
<b>VENT KIT ASSEMBLY</b>							13	075503	250	Propane, millivolt	1	1383.73	1549.78
1	460227	150	Indoor	1	251.34	281.50	13	075506	300	Propane, millivolt	1	1464.80	1640.58
1	460228	200	Indoor	1	251.34	281.50	13	075507	350	Propane, millivolt	1	1671.84	1872.46
1	460230	250	Indoor	1	256.18	286.92	13	075504	400	Propane, millivolt	1	1798.26	2014.05
1	460231	300	Indoor	1	277.78	311.11	14	070230		Burner <sup>1,6</sup>	1	100.82	112.92
1	460233	350	Indoor	1	263.43	295.04	14a	470550		Burner with pilot bracket (not shown) <sup>1</sup>	1	100.94	113.05
1	460234	400	Indoor	1	277.78	311.11	15	472125		Pressure switch <sup>1</sup>	1	CALL	CALL
1a	460237	150	Outdoor	1	249.01	278.89	<b>COMBUSTION CHAMBER ASSEMBLY, COMPLETE</b>						
1a	460222	200	Outdoor	1	249.01	278.89	16	073858	150	Assembly	1	388.94	435.61
1a	460223	250	Outdoor	1	253.80	284.26	16	075586	200	Assembly	1	416.16	466.10
1a	460224	300	Outdoor	1	277.78	311.11	16	073857	250	Assembly	1	453.65	508.09
1a	460225	350	Outdoor	1	277.78	311.11	16	075587	300	Assembly	1	474.99	531.99
1a	460226	400	Outdoor	1	277.78	311.11	16	075588	350	Assembly	1	464.48	520.22
2	471991		Return header assembly <sup>1</sup>	1	62.79	70.32	16	073856	400	Assembly	1	521.87	584.49
3	471622		Bolt, heat exchanger <sup>1</sup>	16	1.21	1.36	17	075459		Presslite igniter assembly <sup>1</sup>	1	15.76	17.65
4	072184		Washer <sup>3/8</sup> in. ID <sup>7/8</sup> in. OD <sup>1</sup>	16	1.21	1.36	18	471678		Potentiometer <sup>1</sup>	2	18.93	21.20
5	070951		Tube seal gasket <sup>1</sup>	18	1.21	1.36	19	471750		Flow valve assembly <sup>1</sup>	1	162.67	182.19
6	470184		Thermostat knob <sup>1</sup>	2	9.97	11.17	20	471587		Hi-limit thermostat <sup>1</sup> 115° <sup>1</sup>	1	38.35	42.95
7	470186		Switch, rocker (single pole and double throw) <sup>1</sup>	1	9.77	10.94	21	471441		Adaptor, bulkhead, 2 in. <sup>1</sup>	2	13.87	15.53
<b>CONTROL PANEL ASSEMBLY, COMPLETE</b>							22	274440		Adaptor, bulkhead ring <sup>1</sup>	2	12.74	14.27
9	075468	150	door, millivolt	1	89.43	100.16	23	471993		Main manifold assembly <sup>1</sup>	1	50.28	56.31
9	075604	200	door, millivolt	1	129.63	145.19	24	471992		Main header assembly <sup>1</sup>	1	375.79	420.88
9	075488	250	door, millivolt	1	95.67	107.15	25	471419		Main manifold bottom <sup>1</sup>	1	54.06	60.55
9	075605	300	door, millivolt	1	CALL	CALL	26	471420		Cap, main manifold bottom <sup>1</sup>	1	10.65	11.93
9	075606	350	door, millivolt	1	167.46	187.56	27	471694		Hi-limit thermostat <sup>1</sup> 150° <sup>1</sup>	1	39.06	43.75
9	075490	400	door, millivolt	1	175.10	196.11	<b>HEAT EXCHANGER</b>						
10	070256	150	Manifold burner	1	47.48	53.18	28	472131	150	Without heads	1	585.71	656.00
10	075525	200	Manifold burner	1	50.52	56.58	28	472169	150	With heads	1	895.42	1002.87
10	070257	250	Manifold burner	1	53.30	59.70	28	472132	200	Without heads	1	727.95	815.30
10	075526	300	Manifold burner	1	56.68	63.48	28	472161	200	Without heads	1	CALL	CALL
10	075527	350	Manifold burner	1	56.88	63.71	28	472167	250	With heads	8	820.15	918.57
10	070258	400	Manifold burner	1	62.99	70.55	28	472133	250	Without heads	1	756.42	847.19
11	075457		Gas valve natural, millivolt <sup>1</sup>	1	379.33	424.85	28	472134	300	Without heads	1	837.05	937.50
11	075458		Gas valve propane, millivolt <sup>1</sup>	1	373.63	418.47	28	472166	300	With Heads	1	CALL	CALL
12	076084		Pilot tube, millivolt <sup>2</sup>	1	69.44	77.77	28	472135	350	Without heads	1	933.08	1045.05
12	076085		Pilot tube, millivolt <sup>3</sup>	1	55.56	62.23	28	472165	350	With Heads	1	1666.67	1866.67
12	076086		Pilot tube, millivolt <sup>4</sup>	1	55.56	62.23	28	472136	400	Without heads	1	1050.42	1176.47
<b>BURNER TRAY ASSEMBLY, COMPLETE</b>							28	472164	400	With Heads	1	1108.33	1241.33
13	075493	150	natural, millivolt	1	1138.36	1274.96	29	070277	150	Baffle	1	5.07	5.68
13	075496	200	natural, millivolt	1	CALL	CALL	29	075559	200	Baffle	8	4.75	5.32
13	075494	250	natural, millivolt	1	1384.66	1550.82	29	070276	250	Baffle	8	5.07	5.68
13	075497	300	natural, millivolt	1	1464.80	1640.58	29	075560	300	Baffle	8	4.75	5.32
13	075498	350	natural, millivolt	1	CALL	CALL	29	070277	350	Baffle	16	5.07	5.68
13	075495	400	natural, millivolt	1	1796.45	2012.02	29	070278	400	Baffle	16	5.43	6.08
13	075502	150	Propane, millivolt	1	1135.62	1271.89							
13	075505	200	Propane, millivolt	1	1264.90	1416.69							



# MiniMax<sup>®</sup> CH Heater (Cont'd)

## Replacement Parts



Item	Part No.	Mod.	Description	Qty.	US List	Can. List
30	472329		Baffle hold down, (2 baffles on 400) <sup>1</sup>	1	7.86	8.80
31	073864	150	Flue collector	1	148.36	166.16
31	075622	200	Flue collector	1	166.05	185.98
31	073863	250	Flue collector	1	166.05	185.98
31	075623	300	Flue collector	1	CALL	CALL
31	075624	350	Flue collector	1	158.13	177.11
31	073862	400	Flue collector	1	166.05	185.98
32	470471	150	Outdoor top assembly	1	309.79	346.96
32	470472	200	Outdoor top assembly	1	328.92	368.39
32	470473	250	Outdoor top assembly	1	312.12	349.57
32	470474	300	Outdoor top assembly	1	356.70	399.50
32	470475	350	Outdoor top assembly	1	439.31	492.03
32	470476	400	Outdoor top assembly	1	357.26	400.13
<b>LIGHTBACK SHIELD</b>						
33	075783	150	Propane gas units only	1	CALL	CALL
33	075784	200	Propane gas units only	1	CALL	CALL
33	075785	250	Propane gas units only	1	CALL	CALL
33	075786	300	Propane gas units only	1	CALL	CALL
33	075787	350	Propane gas units only	1	26.85	30.07
33	075788	400	Propane gas units only	1	30.42	34.07
34	471677		Electronic thermostat, millivolt models <sup>1</sup>	1	125.73	140.82
35	073789		Panel, return <sup>1</sup>	1	23.39	26.20
36	472127		Panel, in/out <sup>1</sup>	1	99.36	111.28
37	472101		Thermistor, probe, complete millivolt models <sup>1</sup>	1	32.95	36.90

Item	Part No.	Mod.	Description	Qty.	US List	Can. List
<b>NOT SHOWN</b>						
	070715		Plastic mounting bracket <sup>1</sup>		1.21	1.36
	471277		Clips for wire harness <sup>1</sup>		4.75	5.32
	075511		Wire kit, millivolt <sup>1</sup>		28.03	31.39
	071703		Screw, 8 x ¼ in. HH <sup>1</sup>		CALL	CALL
	071698		Screw, 8 x ½ in. HH <sup>1</sup>		1.21	1.36
	071716		Screw, 6 x ¼ in. <sup>1</sup>		1.21	1.36
	071659		Screw, 10-32 x ¼ in. <sup>1</sup>		CALL	CALL
	075692		Screw, 10-32 x 3/16 in. <sup>1</sup>		CALL	CALL
	070551		Bushing ½ in. <sup>1</sup>		CALL	CALL
	470414		Therm knob stopper <sup>1</sup>	2	6.51	7.29
	073725		Bolt, 5/16 in.-18 x ¼ in. <sup>1</sup>	2	1.21	1.36
	see pg. 401		Orifice main burner, natural <sup>1,5</sup>		CALL	CALL
	see pg. 401		Orifice main burner, propane <sup>1,5</sup>		CALL	CALL
	471292		Pilot, natural, millivolt <sup>1</sup>	1	51.38	57.55
	471291		Pilot, propane, millivolt <sup>1</sup>	1	51.38	57.55
	071515		Pilot, generator <sup>1</sup>	1	83.21	93.20
	075173		Thermal cutoff, fusible link <sup>1</sup>	1	17.84	19.98
	470178		Power element, flow-valve <sup>1</sup>	1	46.70	52.30
	471293		Pilot rainshield <sup>1</sup>	1	22.55	25.26
	471328		Pilot electrode (only) <sup>1</sup>	1	73.20	81.98
	074540		"L" brackets <sup>1</sup>	3	4.42	4.95
	471271		Bracket adapter Q379 pilot MV <sup>1</sup>		15.31	17.15
	072253		Jumper <sup>1</sup>		4.75	5.32
	471612		Door latch <sup>1</sup>	1	8.56	9.59
	075461		Electrode Assembly		55.56	62.23

<sup>1</sup> Part No. used in Model Nos., 150, 200, 250, 300, 350, 400.

<sup>2</sup> Part No. used in Model Nos., 150, 200.

<sup>3</sup> Part No. used in Model Nos., 250, 300.

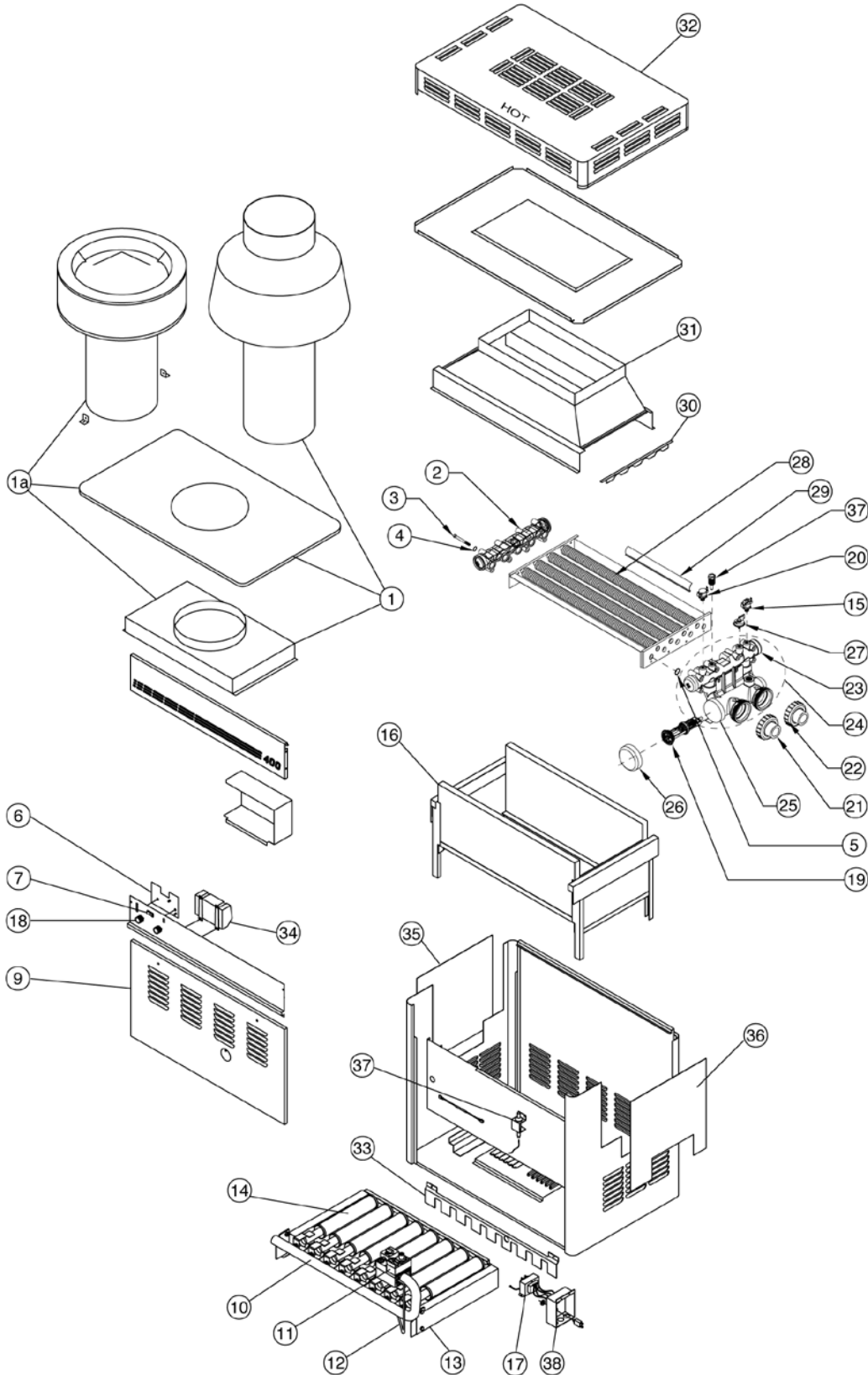
<sup>4</sup> Part No. used in Model Nos., 350, 400.

<sup>5</sup> Qty. = Model N or P 150 (3 ea.), 200 (4 ea.), 250 (5 ea.), 300 (6 ea.), 350 (7 ea.), 400 (8 ea.). For complete orifice requirements, see pages 350 and 351.

<sup>6</sup> Qty. = Model 150 (2 ea.), 200 (3 ea.), 250 (4 ea.), 300 (5 ea.), 350 (6 ea.), 400 (7 ea.).

# MiniMax<sup>®</sup> CH Heater, I50 IID Model

## Replacement Parts



# MiniMax<sup>®</sup> CH Heater, 150 IID Model (Cont'd)

## Replacement Parts



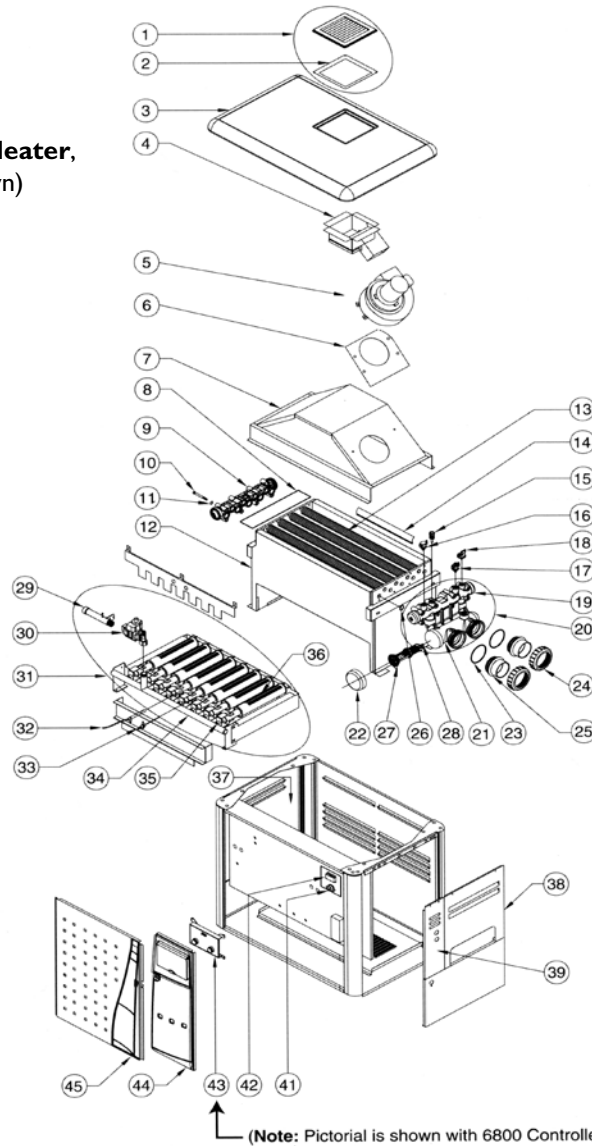
Item	Part No.	Description	Qty.	US List	Can. List	Item	Part No.	Description	Qty.	US List	Can. List
<b>MINIMAX<sup>®</sup> CH, 150 IID</b>						31	073864	Flue collector	1	148.36	166.16
1	460227	Vent kit assembly, indoor	1	251.34	281.50	32	470471	Outdoor top assembly	1	309.79	346.96
1a	460237	Vent kit assembly, outdoor	1	249.01	278.89	33	075783	Lightback shield (propane gas units only)	1	CALL	CALL
2	471991	Return header assembly	1	62.79	70.32	34	073584	Module natural gas	1	257.22	288.09
3	471622	Bolt, heat exchanger	16	1.21	1.36		073585	Module propane gas	1	265.66	297.54
4	072184	Washer 3/8 in. ID 7/8 in. OD	16	1.21	1.36	35	073789	Panel, return	1	23.39	26.20
5	070951	Tube seal gasket	18	1.21	1.36	36	472127	Panel, in/out	1	99.36	111.28
6	470179	Electronic thermostat circuit board, IID Model	1	189.49	212.23	37	075459	Thermistor, probe, complete, IID	1	15.76	17.65
7	470186	Switch rocker, single pole & double throw	1	9.77	10.94	38	470122	Junction box	1	29.39	32.92
9	075468	Door, millivolt or IID	1	89.43	100.16	<b>NOT SHOWN</b>					
10	070256	Manifold burner	1	47.48	53.18	070715		Plastic mounting bracket		1.21	1.36
11	073998	Gas valve natural, IID	1	290.85	325.75	471277		Clips for wire harness		4.75	5.32
11	073999	Gas valve propane, IID	1	290.85	325.75	075511		Wire kit, millivolt		28.03	31.39
12	075191	Pilot tube, IID		55.56	62.23	071703		Screw, 8 x 1/4 in. HH		CALL	CALL
13	073752	Burner tray assembly, natural, complete, IID	1	858.68	961.72	071698		Screw 8 x 1/2 in. HH		1.21	1.36
13	073906	Burner tray assembly, propane, complete, IID	1	884.53	990.67	071716		Screw, 6 x 1/4"		1.21	1.36
14	070230	Burner	2	100.82	112.92	071659		Screw, 10-32 x 1/4 in.		CALL	CALL
14a	470550	Burner with pilot bracket, not shown	1	100.94	113.05	075692		Screw, 10-32 x 3/16 in.		CALL	CALL
15	472125	Pressure switch	1	CALL	CALL	070551		Bushing, 1/2 in.		CALL	CALL
16	073858	Combustion chamber assembly, complete	1	388.94	435.61	470414		Therm knob stopper	2	6.51	7.29
17	471360	Transformer, w/circuit breaker, dual voltage	1	57.52	64.42	073725		Bolt 5/16 in., 18 x 3/4 in.	2	1.21	1.36
18	470184	Thermostat knob	2	9.97	11.17	See pg. 401		Orifice main burner, natural	3	CALL	CALL
19	471750	Flow valve assembly	1	162.67	182.19	See pg. 401		Orifice main burner, propane	3	CALL	CALL
20	471587	Hi-limit thermostat 115°	1	38.35	42.95	471292		Pilot, natural, millivolt	1	51.38	57.55
21	471441	Adaptor, bulkhead, 2 in.	2	13.87	15.53	471291		Pilot, propane, millivolt	1	51.38	57.55
22	274440	Adaptor, bulkhead ring	2	12.74	14.27	071515		Pilot, generator	1	83.21	93.20
23	471993	Main manifold assembly	1	50.28	56.31	075173		Thermal cutoff, fusible link	1	17.84	19.98
24	471992	Main header assembly	1	375.79	420.88	470178		Power element, flow-valve	1	46.70	52.30
25	471419	Main manifold bottom	1	54.06	60.55	471293		Pilot rainshield	1	22.55	25.26
26	471420	Cap, main manifold bottom	1	10.65	11.93	471328		Pilot electrode, only	1	73.20	81.98
27	471694	Hi-limit thermostat 150°	1	39.06	43.75	074540		"L in. brackets	3	4.42	4.95
28	472131	Heat exchanger, without heads	1	585.71	656.00	471271		Bracket adapter Q379 pilot, MV		15.31	17.15
28	472169	Heat exchanger, with heads	1	895.42	1002.87	072253		Jumper		4.75	5.32
29	070277	Baffle	8	5.07	5.68	471612		Door latch	1	8.56	9.59
30	472329	Baffle hold down, (2 baffles on 400)	1	7.86	8.80						

# MiniMax<sup>®</sup> NT STD Heater w/6800 Controller



## Replacement Parts

**MiniMax NT STD Heater,  
(Non-ASME Shown)**



(Note: Pictorial is shown with 6800 Controller)

Item	Part No.	Mod.	Description	Qty.	US List	Can. List	Item	Part No.	Mod.	Description	Qty.	US List	Can. List
<b>MINIMAX<sup>®</sup> NT STD w/ 6800</b>													
1	472352		Exhaust grill w/gasket <sup>1</sup>	1	66.65	74.65	9	471991		Return header assembly <sup>1</sup>	1	62.79	70.32
2	471701		Gasket, exhaust grill <sup>1</sup>	1	14.99	16.79	10	471622		Bolt, heat exchanger <sup>1</sup>	16	1.21	1.36
3	472353	200	Top cover w/posts	1	294.03	329.31	11	072184		Washer, heat exchanger <sup>1</sup>	16	1.21	1.36
3	472354	250	Top cover w/posts	1	286.80	321.22	12	471904	200	Fire box assembly	1	331.98	371.82
3	472355	300	Top cover w/posts	1	293.54	328.76	12	471835	250	Fire box assembly	1	432.48	484.38
3	472356	400	Top cover w/posts	1	307.10	343.95	12	471922	300	Fire box assembly	1	514.88	576.67
4	472373		Exhaust assembly <sup>3</sup>	1	187.43	209.92	12	472332	400	Fire box assembly	1	575.01	644.01
4	472376	250	Exhaust assembly	1	187.43	209.92	13	471910	200	Heat exchanger w/headers	1	1401.36	1569.52
5	472361	200	Blower w/gasket	1	586.02	656.34	13	471785	250	Heat exchanger w/headers	1	1470.10	1646.51
5	472362		Blower w/gasket <sup>2</sup>	1	586.02	656.34	13	471928	300	Heat exchanger w/headers	1	1559.75	1746.92
5	472374	400	Blower w/gasket	1	586.02	656.34	13	471838	400	Heat exchanger w/headers	1	1742.80	1951.94
6	471610		Gasket, blower	1	16.24	18.19							
7	472007	250	Flue collector	1	94.87	106.25							
7	472006	300	Flue collector	1	105.03	117.63							
7	472005	400	Flue collector	1	111.79	125.20							
8	472270		Insulation, header/Hi-limit <sup>1</sup>	1	7.11	7.96							

# MiniMax® NT STD Heater, w/6800 Controller (Cont'd)

## Replacement Parts

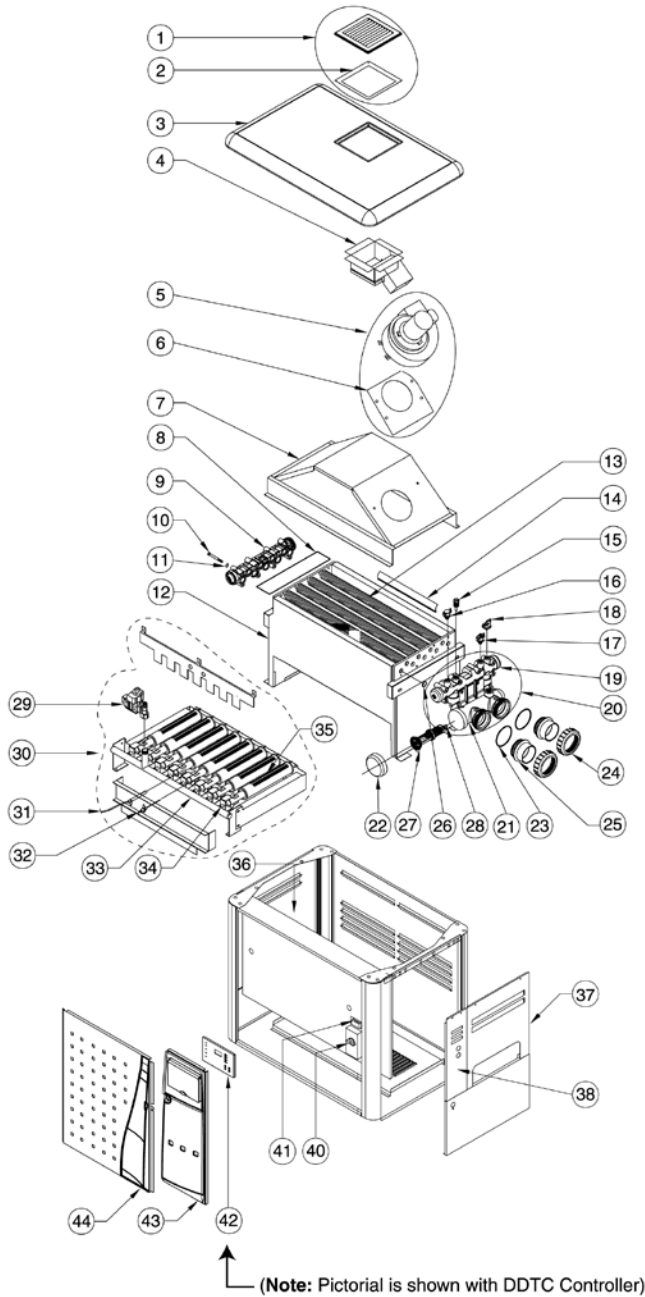
Item	Part No.	Mod.	Description	Qty.	US List	Can. List	Item	Part No.	Mod.	Description	Qty.	US List	Can. List
<b>MINIMAX® NT STD w/ 6800</b>							35	471708	400	Gas manifold w/out orifices, natural or propane	1	CALL	CALL
13	471933	200	Heat exchanger w/o headers	1	727.95	815.30	36	See pg. 401		Orifices, natural <sup>1,4</sup>		CALL	CALL
13	471934	250	Heat exchanger w/o headers	1	756.42	847.19	36	See pg. 401		Orifices, LP <sup>1,4</sup>		CALL	CALL
13	471935	300	Heat exchanger w/o headers	1	835.80	936.10	37	070230		Burner <sup>1,5</sup>		100.82	112.92
13	471936	400	Heat exchanger w/o headers	1	1050.42	1176.47	37	471970		Burner w/bracket <sup>1</sup>	2	49.80	55.78
13	470371	200	Heat exchanger w/ headers, ASME	1	1976.70	2213.90	38	471575		Jacket, upper panel, left <sup>1</sup>	1	83.97	94.05
13	470372	250	Heat exchanger w/ headers, ASME	1	2065.21	2313.04	39	471576		Jacket, upper panel, right <sup>1</sup>	1	83.97	94.05
13	470373	300	Heat exchanger w/ headers, ASME	1	2117.50	2371.60	40	471767		Jacket, upper sub-plate <sup>1</sup>	2	39.55	44.30
13	470375	400	Heat exchanger w/headers, ASME	1	2472.97	2769.73	42	See air switch table pg. 400		Air pressure switch	1	CALL	CALL
14	471642	200	Baffle, heat exchanger	8	4.02	4.50	42	460783		Module, ignition control <sup>1</sup>	1	424.59	475.54
14	471641	250	Baffle, heat exchanger	8	4.50	5.04	43	472086		Temperature controller assembly <sup>1</sup>	1	405.51	454.17
14	471896	300	Baffle, heat exchanger	8	6.79	7.60	44	471727		Right door assembly with controller <sup>1</sup>	1	916.61	1026.60
14	471640	400	Baffle, heat exchanger	16	4.75	5.32	44	472372		Right door assembly w/o controller <sup>1</sup>	1	294.72	330.09
15	471566		Thermistor probe <sup>1</sup>	1	40.60	45.47	45	471900	200	Left door assembly	1	211.40	236.77
16	471587		Hi-limit thermostat, 115° F <sup>1</sup>	1	38.35	42.95	45	472318	250	Left door assembly	1	223.57	250.40
17	471694		Hi-limit thermostat, 150° F <sup>1</sup>	1	39.06	43.75	45	471918	300	Left door assembly	1	245.03	274.43
18	470190		Water pressure switch, ASME <sup>1</sup>	1	94.87	106.25	45	471726	400	Left door assembly	1	207.58	232.49
18	473605		Water pressure switch, NON-ASME <sup>1</sup>	1	CALL	CALL	42	460783		Module, ignition control <sup>1</sup>	1	424.59	475.54
19	472363		In/out top sub-header assembly <sup>1</sup>	1	123.08	137.85	43	472086		Temperature controller assembly <sup>1</sup>	1	405.51	454.17
20	471992		In/out main header assembly <sup>1</sup>	1	375.79	420.88	44	471727		Right door assembly with controller <sup>1</sup>	1	916.61	1026.60
21	472364		In/out bottom sub-header <sup>1</sup>	1	130.96	146.68	44	472372		Right door assembly w/o controller <sup>1</sup>	1	294.72	330.09
22	471420		Cap, in/out bottom sub-header <sup>1</sup>	1	10.65	11.93	45	471900	200	Left door assembly	1	211.40	236.77
23	274494		O-ring, adapter <sup>1</sup>	2	3.74	4.19	45	472318	250	Left door assembly	1	223.57	250.40
24	274440		Adapter, bulkhead ring <sup>1</sup>	2	12.74	14.27	45	471918	300	Left door assembly	1	245.03	274.43
25	471441		Adapter, bulkhead, 2 in. <sup>1</sup>	2	13.87	15.53	45	471726	400	Left door assembly	1	207.58	232.49
26	070951		Gasket, fin tube, seal <sup>1</sup>	18	1.21	1.36	<b>NOT SHOWN</b>						
27	471750		Flow valve assembly <sup>1</sup>	1	162.67	182.19		075173		Thermal cut-off <sup>1</sup>	1	17.84	19.98
28	472330		Power element, flow valve <sup>1</sup>	1	44.05	49.34		472508		Transformer, 40 VA <sup>1</sup>	1	41.07	46.00
29	472365		Sub-gas manifold w/plug <sup>1</sup>	1	75.01	84.01		472375		Wire harness assembly <sup>1</sup>	1	196.48	220.06
30	460760		Gas valve, natural gas <sup>1</sup>	1	274.44	307.37		460506		Indoor vent adaptor, 4 in. <sup>1</sup>	1	116.18	130.12
30	460761		Gas valve, propane	1	274.44	307.37		460507		Indoor vent adaptor, 5 in. <sup>1</sup>	1	116.53	130.51
31	460784	200	Kit, burner NT STD 200 NA/LP	1	353.62	396.05		470184		Knob, T-Stat board	1	9.97	11.17
31	460785	250	Kit, burner NT STD 250 NA/LP	1	393.37	440.57		470181		T-Stat board knob stem	1	4.75	5.32
31	460786	300	Kit, burner NT STD 300 NA/LP	1	429.79	481.36		470328		Fan Tubing		12.91	14.46
31	460787	400	Kit, burner NT STD 400 NA/LP	1	506.27	567.02		471548		Control Panel Cover		10.65	11.93
32	460799Z		Igniter <sup>1</sup>	1	115.58	129.45		471773		Power Switch		12.51	14.01
33	472370		Window Glass		54.18	60.68		471715		Top Panel Clips		4.30	4.82
34	471603		Electrode flame sensor <sup>1</sup>	1	23.44	26.25		471549		Control Cover Hinge		1.21	1.36
35	471892	200	Gas manifold w/out orifices, natural or propane	1	CALL	CALL		070715		Clips to hold Thermal Fuse		1.21	1.36
35	471661	250	Gas manifold w/out orifices, natural or propane	1	CALL	CALL	<sup>1</sup> Part No. used in Model Nos., 200, 250, 300, 400. <sup>2</sup> Part No. used in Model Nos., 250, 300. <sup>3</sup> Part No. used in Model Nos., 200, 300, 400. <sup>4</sup> Qty. = Model 200 (4 ea.), 250 (5 ea.), 300 (6 ea.), 400 (8 ea.). <sup>5</sup> Qty. = Model 200 (2 ea.), 250 (3 ea.), 300 (4 ea.), 400 (6 ea.). <sup>6</sup> Kit includes gas valve, elbow, mounting bracket, and side panel						
35	471889	300	Gas manifold w/out orifices, natural or propane	1	CALL	CALL							

# MiniMax<sup>®</sup> NT STD Heater, w/DDTC Controller

## Replacement Parts



MiniMax NT STD/DDTC Heater — (Non-ASME Shown)



Item	Part No.	Mod.	Description	Qty.	US List	Can. List
<b>MINIMAX<sup>®</sup> NT STD w/DDTC</b>						
1	472352		Exhaust grill w/gasket <sup>1</sup>	1	66.65	74.65
2	471701		Gasket, exhaust grill <sup>1</sup>	1	14.99	16.79
3	472353	200	Top cover w/posts	1	294.03	329.31
3	472354	250	Top cover w/posts	1	286.80	321.22
3	472355	300	Top cover w/posts	1	293.54	328.76
3	472356	400	Top cover w/posts	1	307.10	343.95
4	472373		Exhaust assembly <sup>2</sup>	1	187.43	209.92
4	472376	250	Exhaust assembly	1	187.43	209.92
5	472361	200	Blower w/gasket	1	586.02	656.34
5	472362		Blower w/gasket <sup>3</sup>	1	586.02	656.34
5	472374	400	Blower w/gasket	1	586.02	656.34
6	471610		Gasket, blower <sup>1</sup>	1	16.24	18.19
7	472007	250	Flue collector	1	94.87	106.25
7	472006	300	Flue collector	1	105.03	117.63
7	472005	400	Flue collector	1	111.79	125.20
8	472270		Insulation, header/Hi-limit <sup>1</sup>	1	7.11	7.96
9	471991		Return header assembly	1	62.79	70.32
10	471622		Bolt, heat exchanger <sup>1</sup>	16	1.21	1.36
11	072184		Washer, heat exchanger	16	1.21	1.36
12	471904	200	Fire box assembly	1	331.98	371.82
12	471835	250	Fire box assembly	1	432.48	484.38
12	471922	300	Fire box assembly	1	514.88	576.67
12	472332	400	Fire box assembly	1	575.01	644.01
13	471910	200	Heat exchanger w/headers	1	1401.36	1569.52
13	471785	250	Heat exchanger w/headers	1	1470.10	1646.51
13	471928	300	Heat exchanger w/headers	1	1559.75	1746.92
13	471838	400	Heat exchanger w/headers	1	1742.80	1951.94
13	471933	200	Heat exchanger w/o headers	1	727.95	815.30
13	471934	250	Heat exchanger w/o headers	1	756.42	847.19
13	471935	300	Heat exchanger w/o headers	1	835.80	936.10
13	471936	400	Heat exchanger w/o headers	1	1050.42	1176.47
14	471642	200	Baffle, heat exchanger	8	4.02	4.50
14	471641	250	Baffle, heat exchanger	8	4.50	5.04
14	471896	300	Baffle, heat exchanger	8	6.79	7.60
14	471640	400	Baffle, heat exchanger	16	4.75	5.32
15	471566		Thermistor probe	1	40.60	45.47
16	471587		Hi-limit thermostat, 115° F <sup>1</sup>	1	38.35	42.95
17	471694		Hi-limit thermostat, 150° F <sup>1</sup>	1	39.06	43.75
18	472125		Water pressure switch <sup>1</sup>	1	CALL	CALL
19	472363		In/out top sub-header assembly <sup>1</sup>	1	123.08	137.85
20	471992		In/out main header assembly <sup>1</sup>	1	375.79	420.88
21	472364		In/out bottom sub-header <sup>1</sup>	1	CALL	CALL
22	471420		Cap, in/out bottom sub-header <sup>1</sup>	1	10.65	11.93

# MiniMax® NT STD Heater w/DDTC Controller (Cont'd)

## Replacement Parts



Item	Part No.	Mod.	Description	Qty.	US List	Can. List
<b>MINIMAX® NT STD w/DDTC</b>						
23	274494		O-ring, adapter <sup>1</sup>	2	3.74	4.19
24	274440		Adapter, bulkhead ring <sup>1</sup>	2	12.74	14.27
25	471441		Adapter, bulkhead, 2 in. <sup>1</sup>	2	13.87	15.53
26	070951		Gasket, fin tube, seal <sup>1</sup>	18	1.21	1.36
27	471750		Flow valve assembly <sup>1</sup>	1	162.67	182.19
28	472330		Power element, flow valve <sup>1</sup>	1	44.05	49.34
29	460760		Gas valve, natural gas <sup>1</sup>	1	274.44	307.37
29	460761		Gas valve, propane <sup>1</sup>	1	274.44	307.37
30	460784	200	Kit, burner NT STD 200 NA/LP	1	353.62	396.05
30	460785	250	Kit, burner NT STD 250 NA/LP	1	393.37	440.57
30	460786	300	Kit, burner NT STD 300 NA/LP	1	429.79	481.36
30	460787	400	Kit, burner NT STD 400 NA/LP	1	506.27	567.02
30	470784	200	Burner tray assembly, propane	1	CALL	CALL
31	472604		Igniter <sup>1</sup>	1	72.94	81.69
32	471603		Flame sensor <sup>1</sup>	1	23.44	26.25
33	471892	200	Gas manifold w/out orifices, natural or propane	1	CALL	CALL
33	471661	250	Gas manifold w/out orifices, natural or propane	1	CALL	CALL
33	471889	300	Gas manifold w/out orifices, natural or propane	1	CALL	CALL
33	471708	400	Gas manifold w/out orifices, natural or propane	1	CALL	CALL
34	See pg. 401		Orifices, natural <sup>1,4</sup>			
34	See pg. 401		Orifices, propane <sup>1,4</sup>			
35	070230		Burner <sup>1,5</sup>		100.82	112.92
35	471970		Burner w/bracket <sup>1</sup>	2	49.80	55.78
36	471575		Jacket, upper panel, left <sup>1</sup>	1	83.97	94.05

Item	Part No.	Mod.	Description	Qty.	US List	Can. List
37	471576		Jacket, upper panel, right <sup>1</sup>	1	83.97	94.05
38	471767		Jacket, upper sub-plate <sup>1</sup>	2	39.55	44.30
40	See air switch table pg. 400		Air pressure switch	1		
41	472447		Module, ignition control <sup>1</sup>	1	194.59	217.94
42	472100		DDTC board <sup>1</sup>	1	487.87	546.41
43	471727		Right door assembly with controller <sup>1</sup>	1	916.61	1026.60
43	472372		Right door assembly w/o controller <sup>1</sup>	1	294.72	330.09
44	471900	200	Left door assembly	1	211.40	236.77
44	472318	250	Left door assembly	1	223.57	250.40
44	471918	300	Left door assembly	1	245.03	274.43
44	471726	400	Left door assembly	1	207.58	232.49
<b>NOT SHOWN</b>						
	075173		Thermal cut-off <sup>1</sup>	1	17.84	19.98
	472508		Transformer, 40 VA <sup>1</sup>	1	41.07	46.00
	460506		Indoor vent adaptor, 4 in. <sup>1</sup>	1	116.18	130.12
	460507		Indoor vent adaptor, 5 in. <sup>1</sup>	1	116.53	130.51
	470328		Fan Tubing		12.91	14.46
	471548		Control Panel Cover		10.65	11.93
	471773		Power Switch		12.51	14.01
	471715		Top Panel Clips		4.30	4.82
	471549		Control Cover Hinge		1.21	1.36
	070715		Clips to hold Thermal Fuse		1.21	1.36
	472255		Face Plate		4.48	5.02

<sup>1</sup> Part No. used in Model Nos., 200, 250, 300, 400

<sup>2</sup> Part No. used in Model Nos., 200, 300, 400

<sup>3</sup> Part No. used in Model Nos., 250, 300

<sup>4</sup> Qty. = Model 200 (4 ea.), 250 (5 ea.), 300 (6 ea.), 400 (8 ea.)

<sup>5</sup> Qty. = Model 200 (2 ea.), 250 (3 ea.), 300 (4 ea.), 400 (6 ea.)

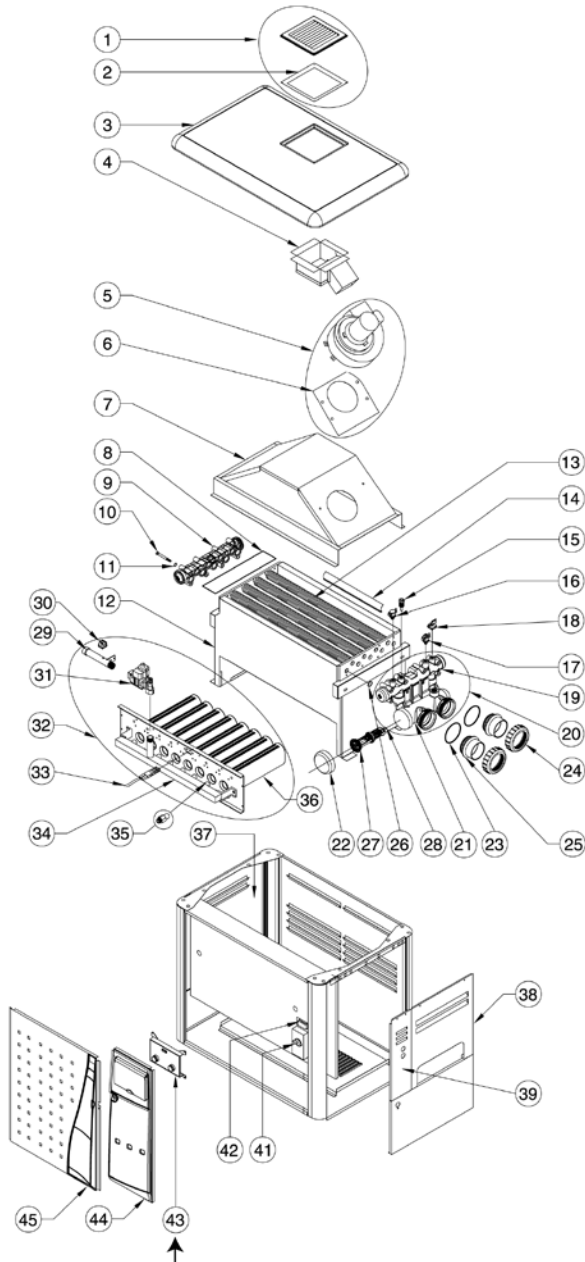
<sup>6</sup> Kit includes gas valve, elbow, mounting bracket, and side panel

# MiniMax<sup>®</sup> NT LN Heater, w/6800 Controller

## Replacement Parts



MiniMax NT LN Heater — (Non-ASME Shown)



Item	Part No.	Mod.	Description	Qty.	US List	Can. List
<b>MINIMAX<sup>®</sup> NT LN , w/6800</b>						
1	472352		Exhaust grill w/gasket <sup>1</sup>	1	66.65	74.65
2	471701		Gasket, exhaust grill <sup>1</sup>	1	14.99	16.79
3	472353	200	Top cover w/posts	1	294.03	329.31
3	472354	250	Top cover w/posts	1	286.80	321.22
3	472355	300	Top cover w/posts	1	293.54	328.76
3	472356	400	Top cover w/posts	1	307.10	343.95
4	472357	200	Exhaust assembly	1	187.43	209.92
4	472359	250	Exhaust assembly	1	CALL	CALL
4	472357	300	Exhaust assembly	1	187.43	209.92
4	472358	400	Exhaust assembly	1	187.43	209.92
5	472361	200	Blower w/gasket	1	586.02	656.34
5	472362		Blower w/gasket <sup>2</sup>	1	586.02	656.34
6	471610		Gasket, blower <sup>1</sup>	1	16.24	18.19
7	472007	250	Flue collector	1	94.87	106.25
7	472006	300	Flue collector	1	105.03	117.63
7	472005	400	Flue collector	1	111.79	125.20
8	472270		Insulation, header/Hi-limit <sup>1</sup>	1	7.11	7.96
9	471991		Return header assembly	1	62.79	70.32
10	471622		Bolt, heat exchanger <sup>1</sup>	16	1.21	1.36
11	072184		Washer, heat exchanger <sup>1</sup>	16	1.21	1.36
12	471904	200	Fire box assembly	1	331.98	371.82
12	471835	250	Fire box assembly	1	432.48	484.38
12	471922	300	Fire box assembly	1	514.88	576.67
12	472332	400	Fire box assembly	1	575.01	644.01
13	471910	200	Heat exchanger w/headers	1	1401.36	1569.52
13	471785	250	Heat exchanger w/headers	1	1470.10	1646.51
13	471928	300	Heat exchanger w/headers	1	1559.75	1746.92
13	471838	400	Heat exchanger w/headers	1	1742.80	1951.94
13	471933	200	Heat exchanger w/o headers	1	727.95	815.30
13	471934	250	Heat exchanger w/o headers	1	756.42	847.19
13	471935	300	Heat exchanger w/o headers	1	835.80	936.10
13	471936	400	Heat exchanger w/o headers	1	1050.42	1176.47
14	471642	200	Baffle, heat exchanger	8	4.02	4.50
14	471641	250	Baffle, heat exchanger	8	4.50	5.04
14	471896	300	Baffle, heat exchanger	8	6.79	7.60
14	471640	400	Baffle, heat exchanger	16	4.75	5.32
15	471566		Thermistor probe <sup>1</sup>	1	40.60	45.47
16	471587		Hi-limit thermostat, 115° F <sup>1</sup>	1	38.35	42.95
17	471694		Hi-limit thermostat, 150° F <sup>1</sup>	1	39.06	43.75
18	472125		Water pressure switch <sup>1</sup>	1	59.75	66.92
19	472363		In/out top sub-header assembly <sup>1</sup>	1	123.08	137.85



# MiniMax® NT LN Heater, w/6800 Controller (Cont'd)

## Replacement Parts



Item	Part No.	Mod.	Description	Qty.	US List	Can. List
<b>MINIMAX® NT LN , w/6800</b>						
20	471992		In/out main header assembly <sup>1</sup>	1	375.79	420.88
21	472364		In/out bottom sub-header <sup>1</sup>	1	130.96	146.68
22	471420		Cap, in/out bottom sub-header <sup>1</sup>	1	10.65	11.93
23	274494		O-ring, adapter <sup>1</sup>	2	3.74	4.19
24	274440		Adapter, bulkhead ring <sup>1</sup>	2	12.74	14.27
25	471441		Adapter, bulkhead, 2 in. <sup>1</sup>	2	13.87	15.53
26	070951		Gasket, fin tube, seal <sup>1</sup>	18	1.21	1.36
27	471750		Flow valve assembly <sup>1</sup>	1	162.67	182.19
28	472330		Power element, flow valve <sup>1</sup>	1	44.05	49.34
29	471597		Sub-gas manifold <sup>1</sup>	1	35.37	39.61
30	472083		Gas pressure switch with wire harness <sup>1</sup>	1	83.01	92.97
31	460760		Gas valve, natural gas <sup>1</sup>	1	274.44	307.37
32	472016	250	Burner tray assembly	1	1031.46	1155.24
32	471923	300	Burner tray assembly	1	1333.52	1493.54
32	471981	400	Burner tray assembly	1	1969.94	2206.33
33	471696		Igniter and bracket <sup>1</sup>	1	93.27	104.46
34	471872	200	Gas manifold w/o orifice	1	CALL	CALL
34	471700	250	Gas manifold w/o orifice	1	CALL	CALL
34	471956	300	Gas manifold w/o orifice	1	CALL	CALL
34	471699	400	Gas manifold w/o orifice	1	CALL	CALL
35	See pg. 401		Gas orifices, natural <sup>1,3</sup>			
36	471668		Burner <sup>1,3</sup>			
37	471575		Jacket, upper panel, left	1	62.59	70.10
38	471576		Jacket, upper panel, right <sup>1</sup>	1	83.97	94.05
39	471767		Jacket, upper sub-plate <sup>1</sup>	2	83.97	94.05
41	See air switch table pg. 400		Air pressure switch	1	39.55	44.30

Item	Part No.	Mod.	Description	Qty.	US List	Can. List
42	460783		Module, ignition control <sup>1</sup>	1	424.59	475.54
43	472086		Temperature controller assembly <sup>1</sup>	1	405.51	454.17
44	471727		Right door assembly with controller <sup>1</sup>	1	916.61	1026.60
44	472372		Right door assembly w/o controller <sup>1</sup>	1	294.72	330.09
45	471900	200	Left door assembly	1	211.40	236.77
45	472318	250	Left door assembly	1	223.57	250.40
45	471918	300	Left door assembly	1	245.03	274.43
45	471726	400	Left door assembly	1	207.58	232.49
<b>NOT SHOWN</b>						
	075173		Thermal cut-off <sup>1</sup>	1	17.84	19.98
	472508		Transformer, 40 VA <sup>1</sup>	1	41.07	46.00
	472375		Wire harness assembly <sup>1</sup>	1	196.48	220.06
	460506		Indoor vent adaptor, 4 in. <sup>1</sup>	1	116.18	130.12
	470328		Fan Tubing		12.91	14.46
	471548		Control Panel Cover		10.65	11.93
	471773		Power Switch		12.51	14.01
	471715		Top Panel Clips		4.30	4.82
	471549		Control Cover Hinge		1.21	1.36
	070715		Clips to Hold Thermal Fuse		1.21	1.36
	470184		Thermostat Knob		9.97	11.17
	470181		Thermostat Stems		4.75	5.32
	472255		Face Plate		4.48	5.02

<sup>1</sup> Part No. used in Model Nos., 200, 250, 300, 400.

<sup>2</sup> Part No. used in Model Nos., 250, 300, 400.

<sup>3</sup> Qty. = Model 200 (4 ea.), 250 (5 ea.), 300 (6 ea.), 400 (8 ea.)

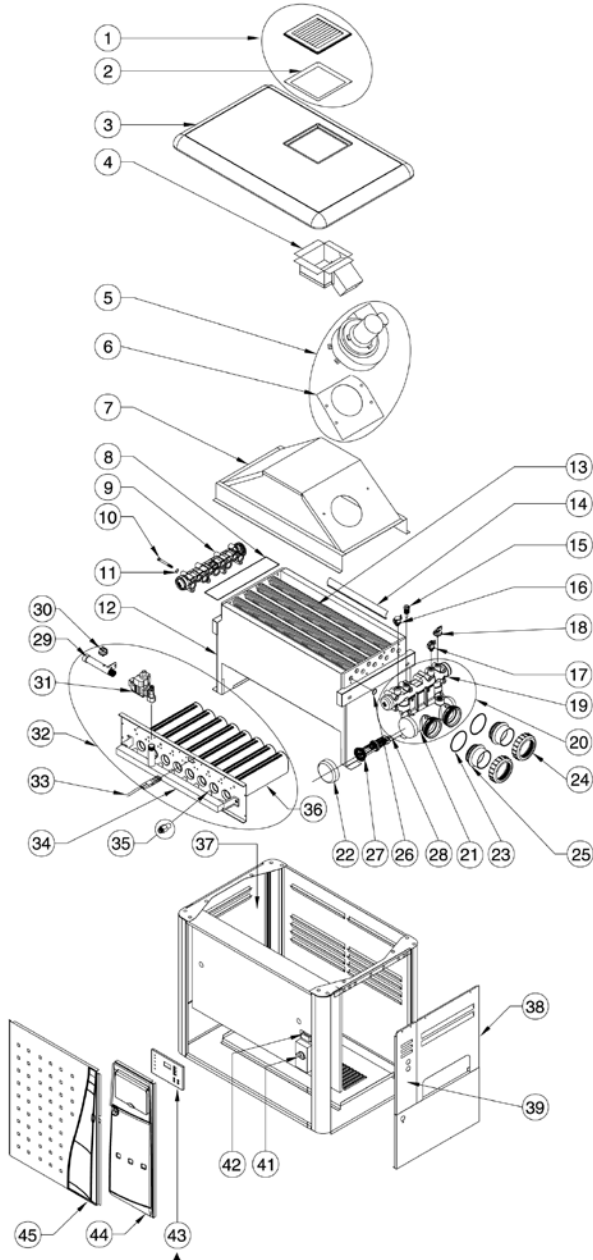
<sup>4</sup> Kit includes gas valve, elbow, mounting bracket, and side panel

# MiniMax<sup>®</sup> NT LN Heater, w/DDTC Controller

## Replacement Parts



MiniMax NT LN Heater — (Non-ASME Shown)



(Note: Pictorial is shown with DDTC Controller)

Item	Part No.	Mod.	Description	Qty.	US List	Can. List
<b>MINIMAX<sup>®</sup> NT LN , w/DDTC</b>						
1	472352		Exhaust grill w/gasket <sup>1</sup>	1	66.65	74.65
2	471701		Gasket, exhaust grill <sup>1</sup>	1	14.99	16.79
3	472353	200	Top cover w/posts	1	294.03	329.31
3	472354	250	Top cover w/posts	1	286.80	321.22
3	472355	300	Top cover w/posts	1	293.54	328.76
3	472356	400	Top cover w/posts	1	307.10	343.95
4	472357	200	Exhaust assembly	1	187.43	209.92
4	472359	250	Exhaust assembly	1	CALL	CALL
4	472357	300	Exhaust assembly	1	187.43	209.92
4	472358	400	Exhaust assembly	1	187.43	209.92
5	472361	200	Blower w/gasket	1	586.02	656.34
5	472362		Blower w/gasket <sup>2</sup>	1	586.02	656.34
6	471610		Gasket, blower <sup>1</sup>	1	16.24	18.19
7	472007	250	Flue collector	1	94.87	106.25
7	472006	300	Flue collector	1	105.03	117.63
7	472005	400	Flue collector	1	111.79	125.20
8	472270		Insulation, header/Hi-limit <sup>1</sup>	1	7.11	7.96
9	471991		Return header assembly <sup>1</sup>	1	62.79	70.32
10	471622		Bolt, heat exchanger <sup>1</sup>	16	1.21	1.36
11	072184		Washer, heat exchanger <sup>1</sup>	16	1.21	1.36
12	471904	200	Fire box assembly	1	331.98	371.82
12	471835	250	Fire box assembly	1	432.48	484.38
12	471922	300	Fire box assembly	1	514.88	576.67
12	472332	400	Fire box assembly	1	575.01	644.01
13	471910	200	Heat exchanger w/ headers	1	1401.36	1569.52
13	471785	250	Heat exchanger w/ headers	1	1470.10	1646.51
13	471928	300	Heat exchanger w/ headers	1	1559.75	1746.92
13	471838	400	Heat exchanger w/ headers	1	1742.80	1951.94
13	471933	200	Heat exchanger w/o headers	1	727.95	815.30
13	471934	250	Heat exchanger w/o headers	1	756.42	847.19
13	471935	300	Heat exchanger w/o headers	1	835.80	936.10
13	471936	400	Heat exchanger w/o headers	1	1050.42	1176.47
14	471642	200	Baffle, heat exchanger	8	4.02	4.50
14	471641	250	Baffle, heat exchanger	8	4.50	5.04
14	471896	300	Baffle, heat exchanger	8	6.79	7.60
14	471640	400	Baffle, heat exchanger	16	4.75	5.32
15	471566		Thermistor probe <sup>1</sup>	1	40.60	45.47
16	471587		Hi-limit thermostat, 115° F <sup>1</sup>	1	38.35	42.95
17	471694		Hi-limit thermostat, 150° F <sup>1</sup>	1	39.06	43.75
18	472125		Water pressure switch <sup>1</sup>	1	CALL	CALL
19	472363		In/out top sub-header assembly <sup>1</sup>	1	123.08	137.85

# MiniMax<sup>®</sup> NT LN Heater w/DDTC Controller (Cont'd)

## Replacement Parts



Item	Part No.	Mod.	Description	Qty.	US List	Can. List
<b>MINIMAX<sup>®</sup> NT LN , w/DDTC</b>						
20	471992		In/out main header assembly <sup>1</sup>	1	375.79	420.88
21	472364		In/out bottom sub-header <sup>1</sup>	1	130.96	146.68
22	471420		Cap, In/out bottom sub-header <sup>1</sup>	1	10.65	11.93
23	274494		O-ring, adapter <sup>1</sup>	2	3.74	4.19
24	274440		Adapter, bulkhead ring <sup>1</sup>	2	12.74	14.27
25	471441		Adapter, bulkhead, 2 in. <sup>1</sup>	2	13.87	15.53
26	070951		Gasket, fin tube, seal <sup>1</sup>	18	1.21	1.36
27	471750		Flow valve assembly <sup>1</sup>	1	162.67	182.19
28	472330		Power element, flow valve <sup>1</sup>	1	44.05	49.34
29	471597		Sub-gas manifold <sup>1</sup>	1	35.37	39.61
30	472083		Gas pressure switch <sup>1</sup>	1	83.01	92.97
31	460760		Gas valve, natural gas <sup>1</sup>	1	274.44	307.37
32	471905	200	Burner tray assembly	1	CALL	CALL
32	472016	250	Burner tray assembly	1	1031.46	1155.24
32	471923	300	Burner tray assembly	1	1333.52	1493.54
32	471981	400	Burner tray assembly	1	1969.94	2206.33
33	471696		Igniter and bracket <sup>1</sup>	1	93.27	104.46
34	471872	200	Gas manifold	1	CALL	CALL
34	471700	250	Gas manifold	1	CALL	CALL
34	471956	300	Gas manifold	1	CALL	CALL
34	471699	400	Gas manifold	1	CALL	CALL
35	See pg. 401		Gas orifices, natural <sup>1,3</sup>		CALL	CALL
36	471668		Burner <sup>1,3</sup>		62.59	70.1
37	471575		Jacket, upper panel, left <sup>1</sup>	1	83.97	94.05
38	471576		Jacket, upper panel, right <sup>1</sup>	1	83.97	94.05
39	471767		Jacket, upper sub-plate <sup>1</sup>	2	39.55	44.3
41	See pg. 400		Air pressure switch	1	CALL	CALL
42	472447		Module, ignition control (Module Only) <sup>1</sup>	1	194.59	217.94

Item	Part No.	Mod.	Description	Qty.	US List	Can. List
43	472100		DDTC board <sup>1</sup>	1	487.87	546.41
44	471727		Right door assembly with controller <sup>1</sup>	1	916.61	1026.6
44	472372		Right door assembly w/o controller <sup>1</sup>	1	294.72	330.09
45	471900	200	Left door assembly	1	211.40	236.77
45	472318	250	Left door assembly	1	223.57	250.40
45	471918	300	Left door assembly	1	245.03	274.43
45	471726	400	Left door assembly	1	207.58	232.49

<b>NOT SHOWN</b>						
	075173		Thermal Cut-off <sup>1</sup>	1	17.84	19.98
	472508		Transformer, 40 VA <sup>1</sup>	1	41.07	46.00
	460506		Indoor vent adaptor, 4 in. <sup>1</sup>	1	116.18	130.12
	460507		Indoor vent adaptor, 5 in. <sup>1</sup>	1	116.53	130.51
	470328		Fan Tubing		12.91	14.46
	471548		Control Panel Cover		10.65	11.93
	471773		Power Switch		12.51	14.01
	471715		Top Panel Clips		4.30	4.82
	471549		Control Cover Hinge		1.21	1.36
	070715		Clips to Hold Thermal Fuse		1.21	1.36
	470184		Thermostat Knobs		9.97	11.17
	470181		Thermostat Stems		4.75	5.32
	472254		Mounting Plate for DDTC		4.67	5.23

<sup>1</sup> Part No. used in Model Nos., 200, 250, 300, 400.

<sup>2</sup> Part No. used in Model Nos., 250, 300, 400.

<sup>3</sup> Qty. = Model 200 (4 ea.), 250 (5 ea.), 300 (6 ea.), 400 (8 ea.).

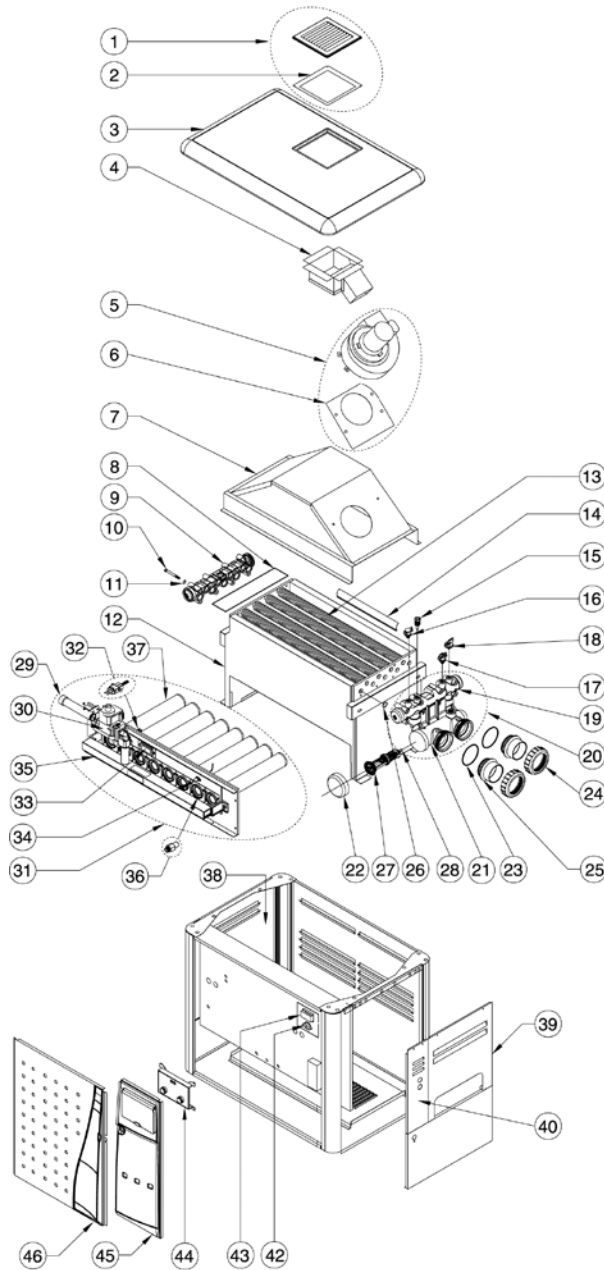
<sup>4</sup> Kit includes gas valve, elbow, mounting bracket, and side panel.

# MiniMax<sup>®</sup> NT TSI Heater, w/6800 Controller

## Replacement Parts



MiniMax NT TSI Heater — (Non-ASME Shown)



(Note: Pictorial is shown with 6800 Controller)

Item	Part No.	Mod.	Description	Qty.	US List	Can. List
<b>MINIMAX<sup>®</sup> NT TSI , w/6800</b>						
1	472352		Exhaust grill w/gasket <sup>1</sup>	1	66.65	74.65
2	471701		Gasket, exhaust grill <sup>1</sup>	1	14.99	16.79
3	472353	200	Top cover w/posts	1	294.03	329.31
3	472354	250	Top cover w/posts	1	286.80	321.22
3	472355	300	Top cover w/posts	1	293.54	328.76
3	472356	400	Top cover w/posts	1	307.10	343.95
4	472357	200	Exhaust assembly	1	187.43	209.92
4	472358	250	Exhaust assembly	1	187.43	209.92
4	472359	300	Exhaust assembly	1	CALL	CALL
4	472358	400	Exhaust assembly	1	187.43	209.92
5	472361		Blower w/gasket <sup>2</sup>	1	586.02	656.34
5	472524		Blower w/gasket <sup>3</sup>	1	396.80	444.42
6	471610		Gasket, Blower <sup>1</sup>	1	16.24	18.19
7	472007	250	Flue collector	1	94.87	106.25
7	472006	300	Flue collector	1	105.03	117.63
7	472005	400	Flue collector	1	111.79	125.20
8	472270		Insulation, header/Hi-limit <sup>1</sup>	1	7.11	7.96
9	471991		Return header assembly <sup>1</sup>	1	62.79	70.32
10	471622		Bolt, heat exchanger <sup>1</sup>	16	1.21	1.36
11	072184		Washer, heat exchanger <sup>1</sup>	16	1.21	1.36
12	471904	200	Fire box assembly	1	331.98	371.82
12	471835	250	Fire box assembly	1	432.48	484.38
12	471922	300	Fire box assembly	1	514.88	576.67
12	472332	400	Fire box assembly	1	575.01	644.01
13	471910	200	Heat exchanger w/headers	1	1401.36	1569.52
13	471785	250	Heat exchanger w/headers	1	1470.10	1646.51
13	471928	300	Heat exchanger w/headers	1	1559.75	1746.92
13	471838	400	Heat exchanger w/headers	1	1742.80	1951.94
13	471933	200	Heat exchanger w/o headers	1	727.95	815.30
13	471934	250	Heat exchanger w/o headers	1	756.42	847.19
13	471935	300	Heat exchanger w/o headers	1	835.80	936.10
13	471936	400	Heat exchanger w/o headers	1	1050.42	1176.47
14	471642	200	Baffle, heat exchanger	8	4.02	4.50
14	471641	250	Baffle, heat exchanger	8	4.50	5.04
14	471896	300	Baffle, heat exchanger	8	6.79	7.60
14	471640	400	Baffle, heat exchanger	16	4.75	5.32
15	471566		Thermistor probe <sup>1</sup>	1	40.60	45.47
16	471587		Hi-limit thermostat, 115 F <sup>1</sup>	1	38.35	42.95
17	471694		Hi-limit thermostat, 150 F <sup>1</sup>	1	39.06	43.75
18	472125		Water pressure switch <sup>1</sup>	1	CALL	CALL
19	472363		In/out top sub-header assembly <sup>1</sup>	1	123.08	137.85
20	471992		In/out main header assembly <sup>1</sup>	1	375.79	420.88
21	472364		In/out Bottom Sub-header <sup>1</sup>	1	130.96	146.68

# MiniMax® NT TSI Heater, w/6800 Controller (Cont'd)

## Replacement Parts



Item	Part No.	Mod.	Description	Qty.	US List	Can. List
<b>MINIMAX® NT TSI , w/6800</b>						
22	471420		Cap, In/out Bottom sub-header <sup>1</sup>	1	10.65	11.93
23	274494		O-ring, adapter <sup>1</sup>	2	3.74	4.19
24	274440		Adapter, bulkhead ring <sup>1</sup>	2	12.74	14.27
25	471441		Adapter, bulkhead, 2 in.	2	13.87	15.53
26	070951		Gasket, fin tube, seal <sup>1</sup>	18	1.21	1.36
27	471750		Flow valve assembly <sup>1</sup>	1	162.67	182.19
28	472330		Power element, flow valve <sup>1</sup>	1	44.05	49.34
29	472365		Sub-gas manifold w/ plug <sup>1</sup>	1	75.01	84.01
30	460762		Gas valve, natural gas <sup>1</sup>	1	274.44	307.37
31	472366	200	Burner tray assembly	1	934.69	1046.85
31	472367	250	Burner tray assembly	1	1077.18	1206.44
31	472368	300	Burner tray assembly	1	1099.76	1231.73
31	472369	400	Burner tray assembly	1	1344.82	1506.20
32	460799Z		Igniter <sup>1</sup>	1	115.58	129.45
33	472370		Window glass w/ holder <sup>1</sup>	1	54.18	60.68
34	472251		Flame sensor <sup>1</sup>	1	18.21	20.40
35	472285	200	Gas manifold w/orifices, 0-4000 ft.	1	CALL	CALL
35	472286	250	Gas manifold w/orifices, 0-4000 ft.	1	115.04	128.84
35	472287	300	Gas manifold w/orifices, 0-4000 ft.	1	CALL	CALL
35	472288	400	Gas manifold w/orifices, 0-4000 ft.	1	151.26	169.41
36	See pg. 401		Gas orifice, natural <sup>1</sup>	4	CALL	CALL
37	472211		Burner <sup>1</sup>	4	66.65	74.65
38	471575		Jacket, upper panel, left <sup>1</sup>	1	83.97	94.05
39	471576		Jacket, upper panel, right <sup>1</sup>	1	83.97	94.05
40	471767		Jacket, upper sub-plate <sup>1</sup>	2	39.55	44.30
42	See air switch table pg. 400		Air pressure switch	1	CALL	CALL

Item	Part No.	Mod.	Description	Qty.	US List	Can. List
43	472449		Module, ignition control <sup>1</sup>	1	393.78	441.03
44	472086		Temperature controller assembly <sup>1</sup>	1	405.51	454.17
45	472087		Right door assembly with controller <sup>1</sup>	1	403.13	451.51
45	472097		Right door assembly w/o controller <sup>1</sup>	1	269.16	301.46
46	471900	200	Left door assembly	1	211.40	236.77
46	472318	250	Left door assembly	1	223.57	250.40
46	471918	300	Left door assembly	1	245.03	274.43
46	471726	400	Left door assembly	1	207.58	232.49
<b>NOT SHOWN</b>						
	075173		Thermal cut-off <sup>1</sup>	1	17.84	19.98
	472508		Transformer, 40 VA <sup>1</sup>	1	41.07	46.00
	460506		Indoor vent adaptor, 4 in. <sup>1</sup>	1	116.18	130.12
	460507		Indoor vent adaptor, 5 in. <sup>1</sup>	1	116.53	130.51
	472320		Wire harness assembly <sup>1</sup>	1	206.33	231.09
	460762		Gas valve kit TSI <sup>5</sup>		274.44	307.37
	470328		Fan Tubing		12.91	14.46
	471548		Control Panel Cover		10.65	11.93
	471773		Power Switch		12.51	14.01
	471715		Top Panel Clips		4.30	4.82
	471549		Control Cover Hinge		1.21	1.36
	070715		Clips to Hold Thermal Fuse		1.21	1.36
	470184		Thermostat Knobs		9.97	11.17
	470181		Thermostat Stems		4.75	5.32

<sup>1</sup> Part No. used in Model Nos., 200, 250, 300, 400.

<sup>2</sup> Part No. used in Model Nos., 200, 250

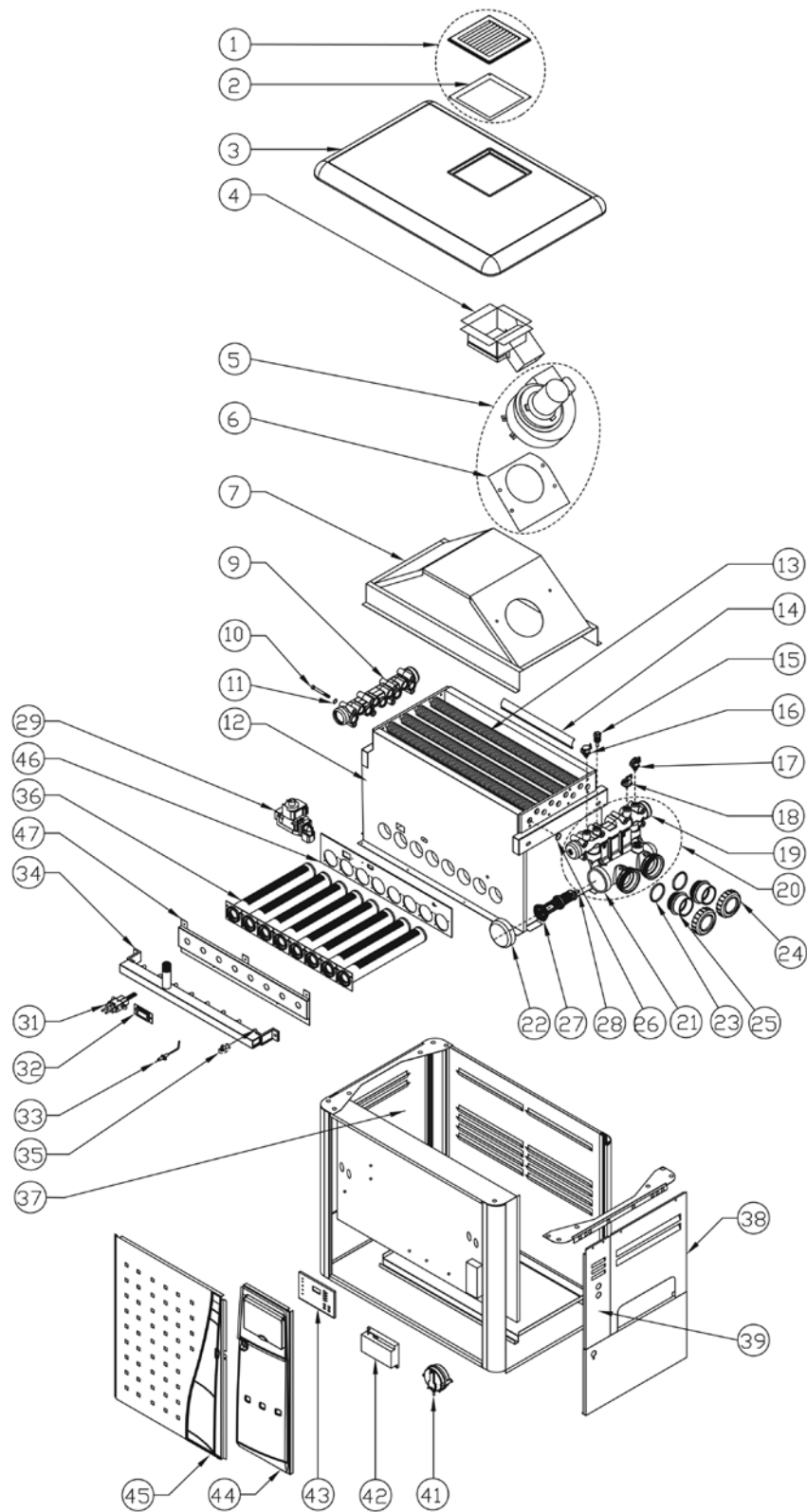
<sup>3</sup> Part No. used in Model Nos., 300, 400

<sup>4</sup> Qty. = Model 200 (4ea.), 250 (5 ea.), 300 (6 ea.), 400 (8 ea.).

<sup>5</sup> Kit includes gas valve, elbow, mounting bracket, and side panel.

# MiniMax<sup>®</sup> NT TSI Heater, w/DDTC Controller

## Replacement Parts



# MiniMax<sup>®</sup> NT TSI Heater, w/DDTC Controller

## Replacement Parts

Item	Part No	Mod.	Description.	Qty	US List	Can. List
<b>MINIMAX<sup>®</sup> NT TSI , w/DDTC</b>						
1	472352		Exhaust grill w/gasket <sup>1</sup>	1	66.65	74.65
2	471701		Gasket, exhaust grill <sup>1</sup>	1	14.99	16.79
3	472353	200	Top cover w/posts	1	294.03	329.31
3	472354	250	Top cover w/posts	1	286.80	321.22
3	472355	300	Top cover w/posts	1	293.54	328.76
3	472356	400	Top cover w/posts	1	307.10	343.95
4	CALL	200	Exhaust assembly	1	CALL	CALL
4	CALL	250	Exhaust assembly	1	CALL	CALL
4	CALL	300	Exhaust assembly	1	CALL	CALL
4	472373	400	Exhaust assembly	1	187.43	209.92
5	472361		Blower w/gasket <sup>2</sup>	1	586.02	656.34
5	472524	400	Blower w/gasket	1	396.80	444.42
6	471610		Gasket, Blower <sup>1</sup>	1	16.24	18.19
7	472007	250	Flue collector	1	94.87	106.25
7	472006	300	Flue collector	1	105.03	117.63
7	472005	400	Flue collector	1	111.79	125.20
9	471991		Return header assembly <sup>1</sup>	1	62.79	70.32
10	471622		Bolt, heat exchanger <sup>1</sup>	16	1.21	1.36
11	072184		Washer, heat exchanger <sup>1</sup>	16	1.21	1.36
13	471910	200	Heat exchanger w/ headers	1	1401.36	1569.52
13	471785	250	Heat exchanger w/ headers	1	1470.10	1646.51
13	471928	300	Heat exchanger w/ headers	1	1559.75	1746.92
13	471838	400	Heat exchanger w/ headers	1	1742.80	1951.94
13	471933	200	Heat exchanger w/o headers	1	727.95	815.30
13	471934	250	Heat exchanger w/o headers	1	756.42	847.19
13	471935	300	Heat exchanger w/o headers	1	835.80	936.10
13	471936	400	Heat exchanger w/o headers	1	1050.42	1176.47
14	471642	200	Baffle, heat exchanger	8	4.02	4.50
14	471641	250	Baffle, heat exchanger	8	4.50	5.04
14	471896	300	Baffle, heat exchanger	8	6.79	7.60
14	471640	400	Baffle, heat exchanger	16	4.75	5.32
15	471566		Thermistor probe <sup>1</sup>	1	40.60	45.47
16	471587		Hi-Limit thermostat 115° F <sup>1</sup>	1	38.35	42.95
17	471694		Hi-Limit thermostat 150° F <sup>1</sup>	1	39.06	43.75
18	472125		Water pressure switch <sup>1</sup>	1	CALL	CALL
19	472363		In/out top sub header assembly <sup>1</sup>	1	123.08	137.85
20	471992		In/out main header assembly <sup>1</sup>	1	375.79	420.88
21	472364		In/out bottom sub-header <sup>1</sup>	1	130.96	146.68
22	471420		Cap, In/out bottom sub-header <sup>1</sup>	1	10.65	11.93
23	274494		O-ring, adapter <sup>1</sup>	2	3.74	4.19
24	274440		Adapter, bulkhead ring <sup>1</sup>	2	12.74	14.27
25	471441		Adapter, bulkhead, 2 in <sup>1</sup>	2	13.87	15.53

Item	Part No	Mod.	Description.	Qty	US List	Can. List
26	070951		Gasket, fin tube, seal <sup>1</sup>	18	1.21	1.36
27	471750		Flow valve assembly <sup>1</sup>	1	162.67	182.19
28	472330		Power element, flow valve <sup>1</sup>	1	44.05	49.34
29	460762		Gas valve, natural gas <sup>1</sup>	1	274.44	307.37
31	472477Z		Igniter <sup>1</sup>	1	97.22	108.89
32	472370		Window glass w/ holder <sup>1</sup>	1	54.18	60.68
33	472251		Flame sensor <sup>1</sup>	1	18.21	20.40
34	472285	200	Gas manifold w/ orifices, 0-3000 ft.	1	CALL	CALL
34	472286	250	Gas manifold w/ orifices, 0-3000 ft.	1	115.04	128.84
34	472287	300	Gas manifold w/ orifices, 0-3000 ft.	1	CALL	CALL
34	472288	400	Gas manifold w/ orifices, 0-3000 ft.	1	151.26	169.41
35	See pg 400		Gas Orifice, natural <sup>1,4</sup>		CALL	CALL
36	472211		Burner <sup>1,4</sup>		66.65	74.65
37	471575		Jacket, Upper panel, left <sup>1</sup>	1	83.97	94.05
38	471576		Jacket, upper panel, right <sup>1</sup>	1	83.97	94.05
39	471767		Jacket, upper sub-plate <sup>1</sup>	2	39.55	44.30
41	See pg. 401		Air pressure switch	1	CALL	CALL
42	472150		Module, ignition control <sup>1</sup>	1	202.14	226.40
43	472100		Temperature controller assembly , DDTC <sup>1</sup>	1	487.87	546.41
44	472087		Right door assembly with controller <sup>1</sup>	1	403.13	451.51
44	472372		Right door assembly w/o controller <sup>1</sup>	1	294.72	330.09
45	471900	200	Left door assembly	1	211.40	236.77
45	472318	250	Left door assembly	1	223.57	250.40
45	471918	300	Left door assembly	1	245.03	274.43
45	471726	400	Left door assembly	1	207.58	232.49

**NOT SHOWN**

	075173		Thermal Cut-off <sup>1</sup>	1	17.84	19.98
	472508		Transformer, 40 VA <sup>1</sup>	1	41.07	46.00
	460506		Indoor vent adaptor, 4 in. <sup>1</sup>	1	116.18	130.12
	460507		Indoor vent adaptor, 5 in. <sup>1</sup>	1	116.53	130.51
	472514		Wire harness assembly <sup>1</sup>	1	98.40	110.21
	470328		Fan Tubing		12.91	14.46
	471548		Control Panel Cover		10.65	11.93
	471773		Power Switch		12.51	14.01
	471715		Top Panel Clips		4.30	4.82
	471549		Control Cover Hinge		1.21	1.36
	070715		Clips to Hold Thermal Fuse		1.21	1.36
	472473		Burner Gasket 400 NT TSI		25.32	28.36

<sup>1</sup> Part No. used in Model Nos., 200, 250, 300, 400.

<sup>2</sup> Part No. used in Model Nos., 200, 250, 300

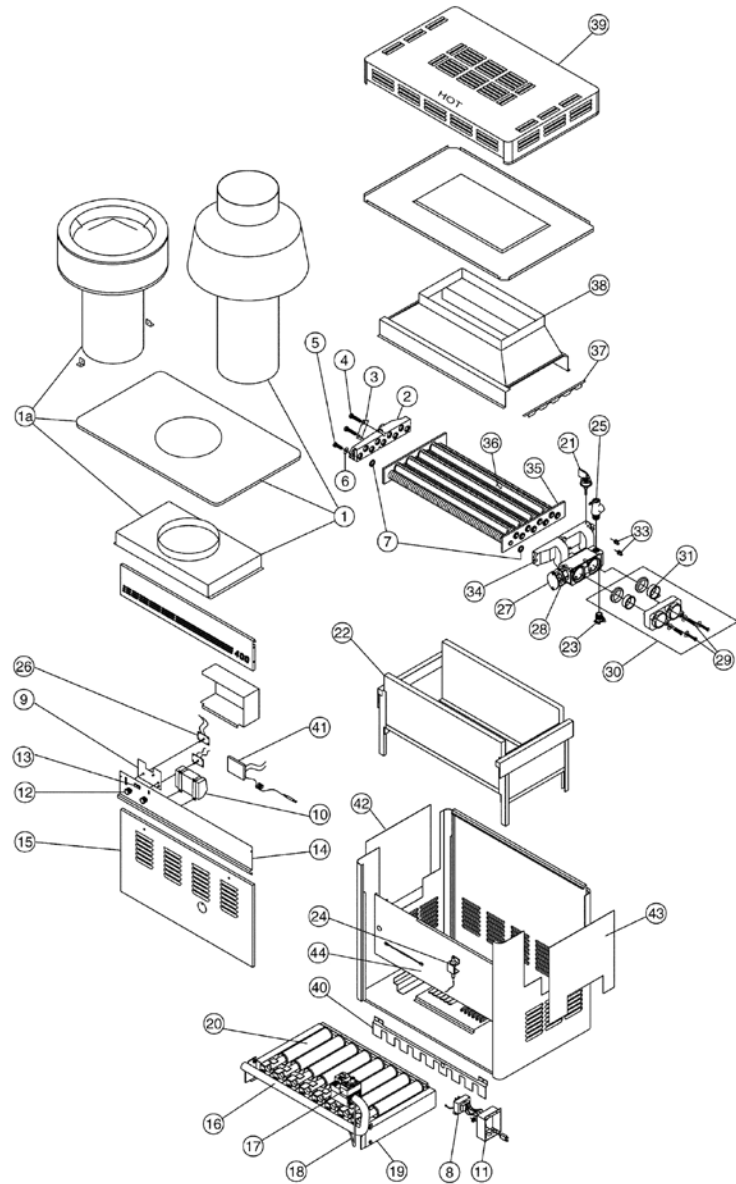
<sup>3</sup> Part No. used in Model Nos., 300, 400.

<sup>4</sup> Qty. = Model 200 (4 ea.), 250(5 ea.), 300(6 ea.), 400. (8 ea.).

<sup>5</sup> Kit includes gas valve, elbow, mounting bracket, and side panel.

# MiniMax<sup>®</sup> Plus Heater

## Replacement Parts



In January 1996, the circuit boards for Minimax Heaters were changed at the terminals by request of the American National Standard Institute (ANSI) and the American Gas Association (A.G.A.), the two approval agencies for the manufacturing of gas heaters in the United States. If you have a heater manufactured before January 1, 1996 and you receive a newer circuit board with the smaller terminals and the older thermistor has larger connectors, the larger connectors can be crimped so they will fit tight on the newer circuit board terminals, contact a Pool Service Professional for details.

Item	Part No.	Mod.	Description	Qty.	US List	Can. List
<b>VENT KIT ASSEMBLY</b>						
I	460227	150	Indoor	I	251.34	281.50
I	460228	200	Indoor	I	251.34	281.50
I	460230	250	Indoor	I	256.18	286.92
I	460231	300	Indoor	I	277.78	311.11
Ia	460233	350	Outdoor	I	263.43	295.04
Ia	460234	400	Outdoor	I	277.78	311.11
Ia	460237	150	Outdoor	I	249.01	278.89
Ia	460222	200	Outdoor	I	249.01	278.89
Ia	460223	250	Outdoor	I	253.80	284.26
Ia	460224	300	Outdoor	I	277.78	311.11
Ia	460225	350	Kit Outdoor Vent, 350 PLS	I	277.78	311.11
Ia	460226	400	Kit Outdoor Vent, 400 PLS	I	277.78	311.11
2	070994		Header Return	I	186.99	209.43
3	074216		Bracket Washer	2	4.78	5.35

Item	Part No.	Mod.	Description	Qty.	US List	Can. List
4	073739		Bolt $\frac{3}{8}$ , 16 x 2 in. <sup>1</sup>	4	1.21	1.36
5	070416		Bolt $\frac{3}{8}$ , 16 x 1- $\frac{1}{2}$ in. <sup>1</sup>	4	1.21	1.36
6	072180		Washer $\frac{3}{8}$ in.	4	1.21	1.36
7	070951		Gasket, steel tube	18	1.21	1.36
8	471360		Transformer 24 Vac CH with circuit breaker	I	57.52	64.42
9	470179		Electronic thermostat circuit board	I	189.49	212.23
10	073584		Module natural gas <sup>1</sup>	I	257.22	288.09
10	073585		Module propane gas <sup>1</sup>	I	265.66	297.54
11	470122		Junction Box 110 unit	I	29.39	32.92
12	470184		Thermostat knob		9.97	11.17
13	470186		Switch, rocker Single pole, double throw		9.77	10.94



# MiniMax® Plus Heater (Cont'd)

## Replacement Parts

Item	Part No.	Mod.	Description	Qty.	US List	Can. List
<b>CONTROL PANEL ASSEMBLY, COMPLETE</b>						
14	470295	150	Natural, IID	1	691.46	774.44
14	470297	250	Natural, IID	1	692.39	775.48
14	470187	400	Natural, IID	1	701.59	785.78
14	470987	150	Propane, IID	1	578.62	648.05
14	470989	250	Propane, IID	1	612.64	686.16
14	470992	400	Propane, IID	1	663.64	743.28
14	471020	150	Millivolt	1	502.06	562.31
14	471021	200	Millivolt	1	503.66	564.10
14	471023	300	Millivolt	1	516.28	578.23
14	471024	350	Millivolt	1	522.71	585.44
14	471025	400	Millivolt	1	531.11	594.84
15	075468	150	Door, IID or millivolt	1	89.43	100.16
15	075604	200	Door, IID or millivolt	1	129.63	145.19
15	075488	250	Door, IID or millivolt	1	95.67	107.15
15	075605	300	Door, IID or millivolt	1	CALL	CALL
15	075606	350	Door, IID or millivolt	1	167.46	187.56
15	075490	400	Door, IID or millivolt	1	175.10	196.11
16	070256	150	Manifold burner	1	47.48	53.18
16	075525	200	Manifold burner	1	50.52	56.58
16	070257	250	Manifold burner	1	53.30	59.70
16	075526	300	Manifold burner	1	56.68	63.48
16	075527	350	Manifold burner	1	56.88	63.71
16	070258	400	Manifold burner	1	62.99	70.55
17	073998		Gas valve natural, IID <sup>1</sup>	1	290.85	325.75
17	073999		Gas valve propane, IID <sup>1</sup>	1	290.85	325.75
17	075457		Gas valve natural, millivolt <sup>1</sup>	1	379.33	424.85
17	075458		Gas valve propane, millivolt <sup>1</sup>	1	373.63	418.47
18	075191		Pilot tube, IID <sup>2</sup>	1	55.56	62.23
18	075192		Pilot tube, IID <sup>3</sup>	1	55.56	62.23
18	075193		Pilot tube, IID <sup>4</sup>	1	55.56	62.23
18	076084		Pilot tube, millivolt <sup>2</sup>	1	69.44	77.77
18	076085		Pilot tube, millivolt <sup>3</sup>	1	55.56	62.23
18	076086		Pilot tube, millivolt <sup>4</sup>	1	55.56	62.23
<b>BURNER TRAY ASSEMBLY, COMPLETE</b>						
19	073752	150	Natural, IID	1	858.68	961.72
19	075499	200	Natural, IID	1	1042.65	1167.77
19	073751	250	Natural, IID	1	1122.16	1256.82
19	075500	300	Natural, IID	1	1389.64	1556.40
19	075501	350	Natural, IID	1	1393.58	1560.81
19	073750	400	Natural, IID	1	1649.25	1847.16
19	073906	150	Propane, IID	1	884.53	990.67
19	075508	200	Propane, IID	1	1098.40	1230.21
19	073905	250	Propane, IID	1	1122.16	1256.82
19	075510	350	Propane, IID	1	1398.84	1566.70
19	073904	400	Propane, IID	1	1649.25	1847.16
19	075493	150	Natural, millivolt	1	1138.36	1274.96
19	075494	250	Natural, millivolt	1	1384.66	1550.82
19	075497	300	Natural, millivolt	1	1464.80	1640.58

Item	Part No.	Mod.	Description	Qty.	US List	Can. List
19	075498	350	Natural, millivolt	1	CALL	CALL
19	075495	400	Natural, millivolt	1	1796.45	2012.02
19	075502	150	Propane, millivolt	1	1135.62	1271.89
19	075505	200	Propane, millivolt	1	1264.90	1416.69
19	075503	250	Propane, millivolt	1	1383.73	1549.78
19	075506	300	Propane, millivolt	1	1464.80	1640.58
19	075507	350	Propane, millivolt	1	1671.84	1872.46
19	075504	400	Propane, millivolt	1	1798.26	2014.05
20	070230		Burner <sup>1</sup>	<sup>8</sup>	100.82	112.92
20a	470550		Burner w/ pilot bracket <sup>1</sup>	1	100.94	113.05
21	470190		Pressure switch <sup>1</sup>	1	94.87	106.25
<b>COMBUSTION CHAMBER ASSEMBLY, COMPLETE</b>						
22	073858	150	Assembly	1	388.94	435.61
22	075586	200	Assembly	1	416.16	466.10
22	073857	250	Assembly	1	453.65	508.09
22	075587	300	Assembly	1	474.99	531.99
22	075588	350	Assembly	1	464.48	520.22
22	073856	400	Assembly	1	521.87	584.49
23	072134		Valve drain, 3/4 in. <sup>1</sup>	1	25.53	28.59
24	075459		Presslite igniter assembly (Millivolt units only) <sup>1</sup>	1	15.76	17.65
25	072138		Valve relief, 3/4 in. 50# <sup>1,7</sup>	1	63.84	71.50
26	471678		Potentiometer (Millivolt only) <sup>1</sup>	2	18.93	21.20
27	471424		Flow valve assembly standard, complete <sup>1</sup>	1	119.50	133.84
27	073989		Flow valve assembly ASME, complete <sup>1</sup>	1	188.85	211.51
28	074015		Flow valve gasket <sup>1</sup>	4	4.75	5.32
29	075492		Bolt, 3/8, 16 x 2-1/2 <sup>1</sup>	2	1.21	1.36
30	075284		Quick flange kit <sup>1</sup>	1	100.33	112.37
31	070544		Bushing in/out Lexan <sup>1</sup>	2	4.75	5.32
32	071895		Sleeve, rubber in/out, 2 in. <sup>1</sup>	2	8.96	10.04
33	071017		Safety shut-off <sup>1</sup>	2	35.66	39.94
34	070985		Main header (in/out) <sup>1</sup>	1	549.17	615.07
<b>HEAT EXCHANGER, WITH HEADS</b>						
35	470364	150	Heat exchanger	1	1826.88	2046.11
35	470365	200	Heat exchanger	1	1912.70	2142.22
35	470366	250	Heat exchanger	1	1988.56	2227.19
35	470367	300	Heat exchanger	1	2084.83	2335.01
35	470368	350	Heat exchanger	1	2046.76	2292.37
35	470369	400	Heat exchanger	1	2243.37	2512.57

# MiniMax® Plus Heater (Cont'd)

## Replacement Parts



Item	Part No.	Mod.	Description	Qty.	US List	Can. List
<b>HEAT EXCHANGER, WITH HEADS</b>						
35	470371	200	Heat Exchanger	1	1976.70	2213.90
35	470372	250	Heat Exchanger	1	2065.21	2313.04
35	470373	300	Heat Exchanger	1	2117.50	2371.60
35	470375	400	Heat Exchanger	1	2472.97	2769.73
<b>HEAT EXCHANGER, WITHOUT HEADS</b>						
35	074452	150	Heat exchanger	1	642.65	719.77
35	075628	200	Heat exchanger	1	706.61	791.40
35	074451	250	Heat exchanger	1	863.90	967.57
35	075629	300	Heat exchanger	1	872.02	976.66
35	075630	350	Heat exchanger	1	955.26	1069.89
35	074074	400	Heat exchanger	1	1052.34	1178.62
36	070277	150	Baffle	8	5.07	5.68
36	075559	200	Baffle	8	4.75	5.32
36	070276	250	Baffle	8	5.07	5.68
36	075560	300	Baffle	8	4.75	5.32
36	070277	350	Baffle	16	5.07	5.68
36	070278	400	Baffle	16	5.43	6.08
37	472329		Baffle hld. down, 2 req. on 400 <sup>1</sup>	1	7.86	8.80
38	073864	150	Flue collector	1	148.36	166.16
38	075622	200	Flue collector	1	166.05	185.98
38	073863	250	Flue collector	1	166.05	185.98
38	075623	300	Flue collector	1	CALL	CALL
38	075624	350	Flue collector	1	158.13	177.11
38	073862	400	Flue collector	1	166.05	185.98
39	470471	150	Outdoor top assembly	1	309.79	346.96
39	470472	200	Outdoor top assembly	1	328.92	368.39
39	470473	250	Outdoor top assembly	1	312.12	349.57
39	470474	300	Outdoor top assembly	1	356.70	399.50
39	470475	350	Outdoor top assembly	1	439.31	492.03
39	470476	400	Outdoor top assembly	1	357.26	400.13
<b>LIGHTBACK SHIELD (PROPANE GAS UNITS ONLY)</b>						
40	075783	150	Lightback shield	1	CALL	CALL
40	075784	200	Lightback shield	1	CALL	CALL
40	075785	250	Lightback shield	1	CALL	CALL
40	075786	300	Lightback shield	1	CALL	CALL
40	075787	350	Lightback shield	1	26.85	30.07
40	075788	400	Lightback shield	1	30.42	34.07
41	471677		Electronic thermostat, millivolt	1	125.73	140.82
41	471677		Electronic thermostat, millivolt (Black Box)	1	125.73	140.82
41	072022		Thermostat 48" Capillary, Qty 2	1	145.48	162.94
42	073789		Panel, return <sup>1</sup>	1	23.39	26.20
43	073790		Panel, in/out <sup>1</sup>	1	27.25	30.52
44	075173		Thermal cut-off, fusible link <sup>1</sup>	1	17.84	19.98

Item	Part No.	Mod.	Description	Qty.	US List	Can. List
<b>NOT SHOWN</b>						
	070715		Plastic mounting bracket <sup>1</sup>	1	1.21	1.36
	470965		Wire kit, harness IID complete <sup>1</sup>	1	94.78	106.15
	471277		Clips for wire harness <sup>1</sup>	1	4.75	5.32
	075511		Wire kit, millivolt <sup>1</sup>	1	28.03	31.39
	071703		Screw, 8 x 1/4 in. hh. <sup>1</sup>	1	CALL	CALL
	071698		Screw, 8 x 1/2 in. hh. <sup>1</sup>	1	1.21	1.36
	071716		Screw, 6 x 1/4 in. <sup>1</sup>	1	1.21	1.36
	071659		Screw, 10-32 x 1/4 in. <sup>1</sup>	1	CALL	CALL
	075692		Screw, 10-32 x 3/16 <sup>1</sup>	1	CALL	CALL
	070551		Bushing, 1/2 in. <sup>1</sup>	1	CALL	CALL
	470414		Therm. knob stopper <sup>1</sup>	2	6.51	7.29
	470178		Power element (flow-valve) <sup>1</sup>	1	46.70	52.30
	073725		Bolt 5/16, 18 x 3/4 in. <sup>1</sup>	2	1.21	1.36
	471204		Pilot, natural, IID <sup>1</sup>	1	92.25	103.32
	471205		Pilot, propane, IID <sup>1</sup>	1	92.25	103.32
	471292		Pilot, natural, millivolt, includes blue spark wire	1	51.38	57.55
	471291		Pilot, propane, millivolt, includes blue spark wire <sup>1</sup>	1	51.38	57.55
	071515		Pilot, generator <sup>1</sup>	1	83.21	93.20
	471740		Thermistor probe, complete millivolt models <sup>1</sup>	1	28.86	32.32
	470180		Thermistor probe, IID models <sup>1</sup>	1	35.69	39.97
	074202		Indicator board LED lightstrip <sup>1,6</sup>	1	48.96	54.84
	070273		Potentiometer, TSTAT IID <sup>1,6</sup>	2	44.61	49.96
	073727		Orifice main burner, natural <sup>1,5</sup>	1	5.91	6.62
	073728		Orifice main burner, propane <sup>1,5</sup>	1	5.91	6.62
	471293		Pilot rainshield <sup>1</sup>	1	22.55	25.26
	471328		Pilot electrode (only) <sup>1</sup>	1	73.20	81.98
	470181		Stem, thermostat control, IID models <sup>1</sup>	2	4.75	5.32
	070715		Clips for transformer <sup>1</sup>	1	1.21	1.36
	074540		"L" brackets <sup>1</sup>	3	4.42	4.95
	471271		Bracket adapter Q379 pilot, MV <sup>1</sup>	1	15.31	17.15
	072253		Jumper	1	4.75	5.32
	471612		Door latch	1	8.56	9.59
	070264		Front Insulation	1	76.01	85.13
	070265		Back Insulation	1	86.02	96.34
	070270		Side Insulation	1	35.21	39.44

<sup>1</sup> Part No. used in Model Nos., 150, 200, 250, 300, 350, 400.

<sup>2</sup> Part No. used in Model Nos., 150, 200.

<sup>3</sup> Part No. used in Model Nos., 250, 300.

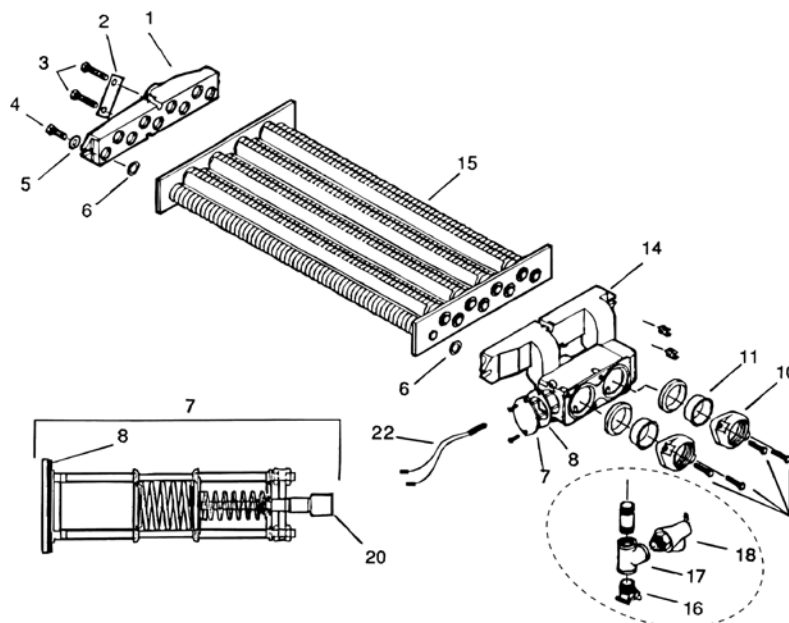
<sup>4</sup> Part No. used in Model Nos., 350, 400.

<sup>5</sup> Qty. = Model, N or P 150 (3 ea.), 200 (4 ea.), 250 (5 ea.), 300 (6 ea.), 350 (7 ea.), 400 (8 ea.).

<sup>6</sup> Previously Manufactured Model.

# Heat Exchanger

## Replacement Parts for MiniMax Models '91 to 01-97



Item No.	Part No.	Description	US List	Can. List
<b>HEAT EXCHANGER</b>				
1	070994	Return header	186.99	209.43
2	072180	Bracket washer, 2 req.	1.21	1.36
3	073739	Bolt, $\frac{3}{8}$ , 16 x 2 in. plt., 4 req.	1.21	1.36
4	070416	Bolt, hh, $\frac{3}{8}$ -16 x 1- $\frac{1}{2}$ in. SS, 4 req.	1.21	1.36
5	072180	Washer, $\frac{3}{8}$ in. i.d., 1 in. o.d., 4 req.	1.21	1.36
6	070951	Tube seal gasket, 18 req.	1.21	1.36
7	471424	Flow valve assembly	119.50	133.84
8	074015	Gasket flow valve	4.75	5.32
9	075492	Bolt, $\frac{3}{8}$ -16 x 2- $\frac{1}{2}$ in. plt., 4 req.	1.21	1.36
10	075284	Quick flange kit <sup>2</sup>	100.33	112.37
10	075283	Flange only	34.41	38.54
11	070544	Bushing in/out, 2 in. Lexan, 2 req.	4.75	5.32
12	071895	Sleeve rubber, in/out, 2 in., 2 req.	8.96	10.04
13	071017	Hi-limit 135/120, 2 req.	35.66	39.94
14	070985	Main header in/out	549.17	615.07
15	074452	Assembly, w/o heads 150, 17 lbs.	642.65	719.77
15	075628	Assembly, w/o heads 200, 20 lbs.	706.61	791.40
15	074451	Assembly, w/o heads 250, 22 lbs.	863.90	967.57
15	075629	Assembly, w/o heads 300, 25 lbs.	872.02	976.66
15	075630	Assembly, w/o heads 350, 28 lbs.	955.26	1069.89
15	074074	Assembly, w/o heads 400, 30 lbs.	1052.34	1178.62

Item No.	Part No.	Description	US List	Can. List
15	470364	Assembly, w/heads 150	1826.88	2046.11
15	470365	Assembly, w/heads 200	1912.70	2142.22
15	470366	Assembly, w/heads 250	1988.56	2227.19
15	470367	Assembly, w/heads 300	2084.83	2335.01
15	470368	Assembly, w/heads 350	2046.76	2292.37
15	470369	Assembly, w/heads 400	2243.37	2512.57
16	072134	Valve boiler drain 3/4 in.	25.53	28.59
18	072138	Valve relief, $\frac{3}{4}$ in. 50#, ASME or local code	63.84	71.50
20	470178	Power element	46.70	52.30
22	070274	Sensor bulb	38.63	43.27

<b>NOT SHOWN</b>				
	075285	Assembly bag quick flange ASME heaters	260.18	291.40

<sup>1</sup> For old style MiniMax before 1994 (not shown).  
<sup>2</sup> Includes quick flange unit, (4) bolts, (4) washers, (2) 2 in. bushings, (2) 1 1/2 in. bushings, (2) sleeves.

# Air Pressure Switches

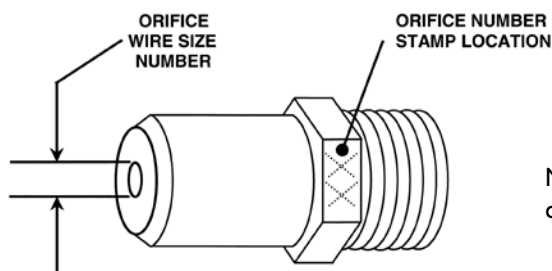


Part No.	Model	Fuel	Size	Elevation	Air Pressure Switch		
					Part No.	Color	Setting
<b>AIR PRESSURE SWITCH</b>							
460534	NT STD	Nat	200	0-2999	472178	White	0.40
460563	NT STD	Nat	200	3000-5999	472325	Blue	0.35
460427	NT STD	Nat	200	6000-9999	472325	Blue	0.35
460533	NT STD	Nat	250	0-2999	472181	Orange	0.75
460557	NT STD	Nat	250	3000-5999	472180	Green	0.65
460428	NT STD	Nat	250	6000-9999	472326	White	0.55
460532	NT STD	Nat	300	0-2999	472327	Gray	0.80
460551	NT STD	Nat	300	3000-5999	472180	Green	0.65
460429	NT STD	Nat	300	6000-9999	472326	White	0.55
460531	NT STD	Nat	400	0-2999	472183	Violet	1.35
460545	NT STD	Nat	400	3000-5999	472328	Pink	1.05
460430	NT STD	Nat	400	6000-9999	472328	Pink	1.05
460561	NT STD ASME	Nat	200	0-2999	472178	White	0.40
460565	NT STD ASME	Nat	200	3000-5999	472325	Blue	0.35
460447	NT STD ASME	Nat	200	6000-9999	472325	Blue	0.35
460555	NT STD ASME	Nat	250	0-2999	472181	Orange	0.75
460559	NT STD ASME	Nat	250	3000-5999	472180	Green	0.65
460448	NT STD ASME	Nat	250	6000-9999	472326	White	0.55
460549	NT STD ASME	Nat	300	0-2999	472327	Gray	0.80
460553	NT STD ASME	Nat	300	3000-5999	472180	Green	0.65
460449	NT STD ASME	Nat	300	6000-9999	472326	White	0.55
460543	NT STD ASME	Nat	400	0-2999	472183	Violet	1.35
460547	NT STD ASME	Nat	400	3000-5999	472328	Pink	1.05
460450	NT STD ASME	Nat	400	6000-9999	472328	Pink	1.05
460538	NT STD	LP	200	0-2999	472178	White	0.40
460564	NT STD	LP	200	3000-5999	472325	Blue	0.35
460439	NT STD	LP	200	6000-9999	472325	Blue	0.35
460537	NT STD	LP	250	0-2999	472181	Orange	0.75
460558	NT STD	LP	250	3000-5999	472180	Green	0.65
460440	NT STD	LP	250	6000-9999	472326	White	0.55
460536	NT STD	LP	300	0-2999	472327	Gray	0.80
460552	NT STD	LP	300	3000-5999	472180	Green	0.65
460441	NT STD	LP	300	6000-9999	472326	White	0.55
460535	NT STD	LP	400	0-2999	472183	Violet	1.35
460546	NT STD	LP	400	3000-5999	472328	Pink	1.05
460442	NT STD	LP	400	6000-9999	472328	Pink	1.05
460562	NT STD ASME	LP	200	0-2999	472178	White	0.40
460566	NT STD ASME	LP	200	3000-5999	472325	Blue	0.35
460443	NT STD ASME	LP	200	6000-9999	472325	Blue	0.35
460556	NT STD ASME	LP	250	0-2999	472181	Orange	0.75
460560	NT STD ASME	LP	250	3000-5999	472180	Green	0.65
460444	NT STD ASME	LP	250	6000-9999	472326	White	0.55
460550	NT STD ASME	LP	300	0-2999	472327	Gray	0.80
460554	NT STD ASME	LP	300	3000-5999	472180	Green	0.65
460445	NT STD ASME	LP	300	6000-9999	472326	White	0.55
460544	NT STD ASME	LP	400	0-2999	472183	Violet	1.35
460548	NT STD ASME	LP	400	3000-5999	472328	Pink	1.05
460446	NT STD ASME	LP	400	6000-9999	472328	Pink	1.05
460540	NT Lonox	Nat	200	0-2999	472178	Red	0.22
460568	NT Lonox	Nat	200	3000-5999	472324	L. Blue	0.18
460431	NT Lonox	Nat	200	6000-9999	472324	L. Blue	0.18
460576	NT Lonox	Nat	250	0-2999	472180	Green	0.65

Part No.	Model	Fuel	Size	Elevation	Air Pressure Switch		
					Part No.	Color	Setting
460569	NT Lonox	Nat	250	3000-5999	472326	White	0.55
460432	NT Lonox	Nat	250	6000-9999	472326	White	0.55
460539	NT Lonox	Nat	300	0-2999	472181	Orange	0.75
460570	NT Lonox	Nat	300	3000-5999	472180	Green	0.65
460433	NT Lonox	Nat	300	6000-9999	472326	White	0.55
460577	NT Lonox	Nat	400	0-2999	472182	Yellow	0.95
460571	NT Lonox	Nat	400	3000-5999	472327	Gray	0.80
460434	NT Lonox	Nat	400	6000-9999	472181	Orange	0.75
460541	NT Lonox ASME	Nat	200	0-2999	472178	Red	0.22
460572	NT Lonox ASME	Nat	200	3000-5999	472324	L. Blue	0.18
460451	NT Lonox ASME	Nat	200	6000-9999	472324	L. Blue	0.18
460510	NT Lonox ASME	Nat	250	0-2999	472180	Green	0.65
460573	NT Lonox ASME	Nat	250	3000-5999	472326	White	0.55
460452	NT Lonox ASME	Nat	250	6000-9999	472326	White	0.55
460542	NT Lonox ASME	Nat	300	0-2999	472181	Orange	0.75
460574	NT Lonox ASME	Nat	300	3000-5999	472180	Green	0.65
460465	NT Lonox ASME	Nat	300	6000-9999	472326	White	0.55
460511	NT Lonox ASME	Nat	400	0-2999	472182	Yellow	0.95
460575	NT Lonox ASME	Nat	400	3000-5999	472327	Gray	0.80
460466	NT Lonox ASME	Nat	400	6000-9999	472181	Orange	0.75
460720	NT TSI	Nat	200	0-2999	472178	Red	0.22
460724	NT TSI	Nat	200	3000-5999	472178	Red	0.22
460435	NT TSI	Nat	200	6000-9999	472324	L. Blue	0.18
460721	NT TSI	Nat	250	0-2999	472179	Brown	0.45
460725	NT TSI	Nat	250	3000-5999	472179	Brown	0.45
460436	NT TSI	Nat	250	6000-9999	472325	Blue	0.35
460722	NT TSI	Nat	300	0-2999	472182	Yellow	0.95
460726	NT TSI	Nat	300	3000-5999	472327	Gray	0.80
460437	NT TSI	Nat	300	6000-9999	472181	Orange	0.75
460723	NT TSI	Nat	400	0-2999	472182	Yellow	0.95
460727	NT TSI	Nat	400	3000-5999	472327	Gray	0.80
460438	NT TSI	Nat	400	6000-9999	472181	Orange	0.75
460412	NT TSI ASME	Nat	200	0-2999	472178	Red	0.22
460416	NT TSI ASME	Nat	200	3000-5999	472178	Red	0.22
460467	NT TSI ASME	Nat	200	6000-9999	472324	L. Blue	0.18
460413	NT TSI ASME	Nat	250	0-2999	472179	Brown	0.45
460417	NT TSI ASME	Nat	250	3000-5999	472179	Brown	0.45
460468	NT TSI ASME	Nat	250	6000-9999	472325	Blue	0.35
460414	NT TSI ASME	Nat	300	0-2999	472182	Yellow	0.95
460418	NT TSI ASME	Nat	300	3000-5999	472327	Gray	0.80
460469	NT TSI ASME	Nat	300	6000-9999	472181	Orange	0.75
460415	NT TSI ASME	Nat	400	0-2999	472182	Yellow	0.95
460419	NT TSI ASME	Nat	400	3000-5999	472327	Gray	0.80
460470	NT TSI ASME	Nat	400	6000-9999	472181	Orange	0.75

# Burner Orifice Chart

## For MiniMax Heaters



NOTE: Some Models may have a different configuration of the orifice.

MiniMax Model Used on	Gas Type	Specified Altitude	Part No.	Orifice No.	Orifice Dia.	Color
<b>NATURAL GAS HEATER ORIFICE CHART</b>						
NT STD	NA	0-2999 Ft.	073727	30	.1285	Green
NT STD	NA	3000-5999 Ft.	472569	1/8	.1250	No Color
NT STD	NA	6000-9999 Ft.	071466	31	.1200	No Color
NT STD	NA	10,000 (+) Ft.	071467	32	.1160	No Color
NT LN	NA	0-2999 Ft.	471984	1/8	.1250	No Color
NT LN	NA	3000-5999 Ft.	471985	31	.1200	No Color
NT LN	NA	6000-9999 Ft.	471985	31	.1200	No Color
NT LN	NA	10,000 (+) Ft.	471986	32	.1160	No Color
NT TSI	NA	0-2999 Ft.	472434	23	.1540	No Color
NT TSI	NA	3000-5999 Ft.	472496	25	.1495	No Color
NT TSI	NA	6000-9999 Ft.	472263	26	.1470	No Color
NT TSI	NA	10,000 (+) Ft.	472264	27	.1440	No Color
CH	NA	0-2999 Ft.	073727	30	.1285	Green
CH	NA	3000-5999 Ft.	472569	1/8	.1250	No Color
CH	NA	6000-9999 Ft.	071466	31	.1200	No Color
CH	NA	10,000 (+) Ft.	071467	32	.1160	No Color
Commercial	NA	0-2999 Ft.	470656	20	.1610	No Color
Commercial	NA	3000-5999 Ft.	471975	23	.1540	No Color
Commercial	NA	6000-9999 Ft.	470777	24	.1520	No Color
Commercial	NA	10,000 (+) Ft.	471974	26	.1470	No Color
<b>PROPANE GAS HEATER ORIFICE CHART</b>						
NT STD	LP	0-2999 Ft.	073728	45	.0820	Red
NT STD	LP	3000-5999 Ft.	071461	47	.0785	No Color
NT STD	LP	6000-9999 Ft.	071462	48	.0760	No Color
NT STD	LP	10,000 (+) Ft.	471973	49	.0730	No Color
CH	LP	0-2999 Ft.	073728	45	.0820	Red
CH	LP	3000-5999 Ft.	071461	47	.0785	No Color
CH	LP	6000-9999 Ft.	071462	48	.0760	No Color
CH	LP	10,000 (+) Ft.	471973	49	.0730	No Color

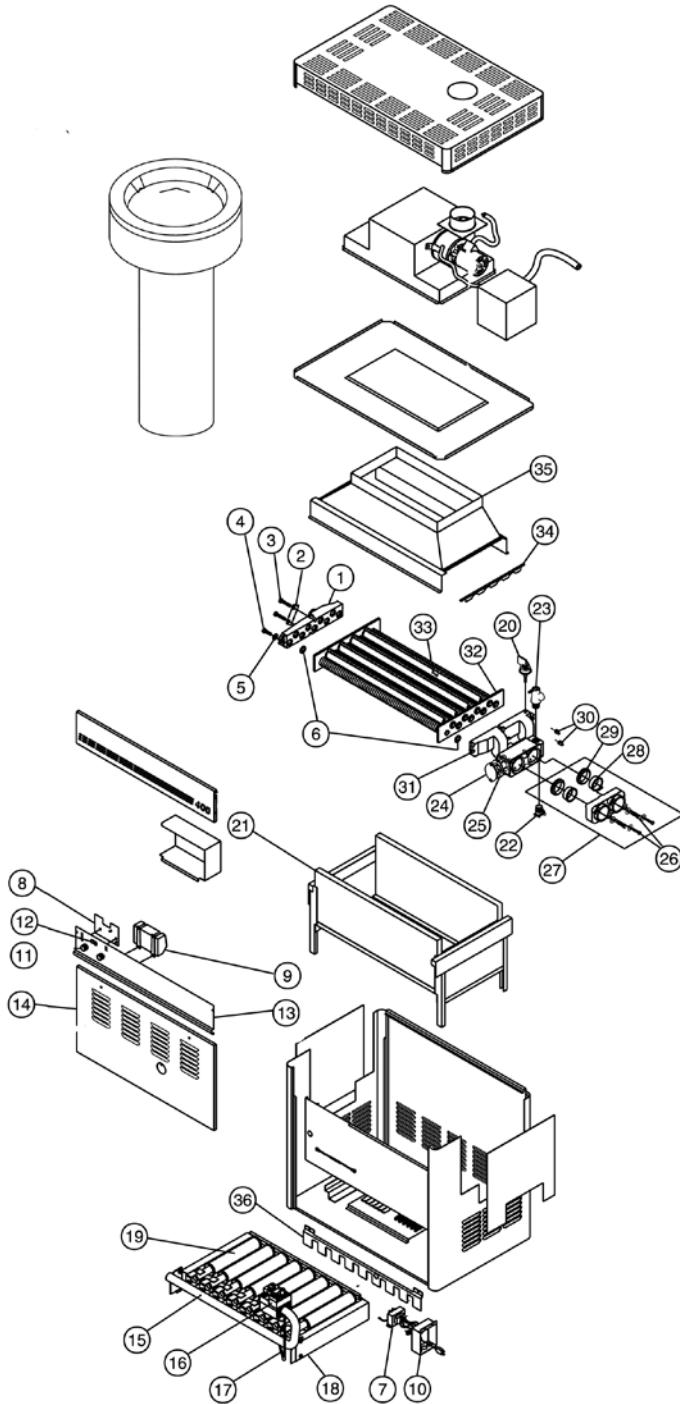
# PowerMax® Heater

## Replacement Parts



### OPTIONAL OUTDOOR VENT

471395	Models 150, 200
471396	Models 250, 400



Item	Part No.	Mod.	Description	Qty.	US List	Can. List
<b>POWERMAX™ HEATER</b>						
1	070994		Return header <sup>1</sup>	1	186.99	209.43
2	074216		Bracket washer <sup>1</sup>	2	4.78	5.35
3	073739		Bolt, hh. 3/8 in. x 2 in. <sup>1</sup>	4	1.21	1.36
4	070416		Bolt, 3/8, 16 x 1-1/2 in. <sup>1</sup>	4	1.21	1.36
5	072180		Washer 3/8 in. i.d., 1 in. o.d. <sup>1</sup>	4	1.21	1.36
6	070951		Tube seal gasket <sup>1</sup>	18	1.21	1.36
7	471360		Transformer w/ circuit breaker, dual voltage <sup>1</sup>	1	57.52	64.42
8	470179		Electronic thermostat circuit board, IID models <sup>1</sup>	1	189.49	212.23
9	073584		Module natural gas <sup>1</sup>	1	257.22	288.09
9	073585		Module propane gas <sup>1</sup>	1	265.66	297.54
10	470122		Junction box, IID units <sup>1</sup>	1	29.39	32.92
11	470184		Thermostat knob <sup>1</sup>	2	9.97	11.17
12	470186		Switch rocker, sngl. pole & dbl. throw <sup>1</sup>	1	9.77	10.94
<b>CONTROL PANEL ASSEMBLY, COMPLETE</b>						
14	075468	150	Door, IID	1	89.43	100.16
14	075604	200	Door, IID	1	129.63	145.19
14	075488	250	Door, IID	1	95.67	107.15
14	075606	350	Door, IID	1	167.46	187.56
14	075490	400	Door, IID	1	175.10	196.11
15	070256	150	Manifold burner	1	47.48	53.18
15	075525	200	Manifold burner	1	50.52	56.58
15	070257	250	Manifold burner	1	53.30	59.70
15	075526	300	Manifold burner	1	56.68	63.48
15	075527	350	Manifold burner	1	56.88	63.71
15	070258	400	Manifold burner	1	62.99	70.55
16	073998		Gas valve natural, IID <sup>1</sup>	1	290.85	325.75
16	073999		Gas valve propane, IID <sup>1</sup>	1	290.85	325.75
17	075191		Pilot tube, IID <sup>2</sup>	1	55.56	62.23
17	075192		Pilot tube, IID <sup>3</sup>	1	55.56	62.23
17	075193		Pilot tube, IID <sup>4</sup>	1	55.56	62.23
<b>BURNER TRAY ASSEMBLY, COMPLETE</b>						
18	073752	150	Natural, IID	1	858.68	961.72
18	075499	200	Natural, IID	1	1042.65	1167.77
18	073751	250	Natural, IID	1	1122.16	1256.82
18	075500	300	Natural, IID	1	1389.64	1556.40
18	075501	350	Natural, IID	1	1393.58	1560.81
18	073750	400	Natural, IID	1	1649.25	1847.16

# PowerMax® Heater (Cont'd)

## Replacement Parts

Item	Part No.	Mod.	Description	Qty.	US List	Can. List
<b>BURNER TRAY ASSEMBLY, COMPLETE</b>						
18	073906	150	Propane, IID	1	884.53	990.67
18	075508	200	Propane, IID	1	1098.40	1230.21
18	073905	250	Propane, IID	1	1122.16	1256.82
18	075509	300	Propane, IID	1	CALL	CALL
18	075510	350	Propane, IID	1	1398.84	1566.70
18	073904	400	Propane, IID	1	1649.25	1847.16
19	070230		Burner <sup>1</sup>	<sup>8</sup>	100.82	112.92
19a	470550		Burner w/pilot bracket <sup>1</sup>	1	100.94	113.05
20	470190		Pressure switch <sup>1</sup>	1	94.87	106.25
<b>COMBUSTION CHAMBER ASSEMBLY, COMPLETE</b>						
21	073858	150	Assembly	1	388.94	435.61
21	075586	200	Assembly	1	416.16	466.10
21	073857	250	Assembly	1	453.65	508.09
21	075587	300	Assembly	1	474.99	531.99
21	075588	350	Assembly	1	464.48	520.22
21	073856	400	Assembly	1	521.87	584.49
22	072134		Valve drain $\frac{3}{4}$ in. <sup>1</sup>	1	25.53	28.59
23	072138		Valve relief $\frac{3}{4}$ in. 50# <sup>1,7</sup>	1	63.84	71.50
24	471424		Flow valve assembly standard, complete <sup>1</sup>	1	119.50	133.84
24	073989		Flow valve assembly ASME, complete <sup>1</sup>	1	188.85	211.51
25	074015		Flow valve gasket <sup>1</sup>	4	4.75	5.32
26	075492		Bolt $\frac{3}{8}$ , 16 x 2- $\frac{1}{2}$ <sup>1</sup>	2	1.21	1.36
27	075284		Quick flange kit <sup>1</sup>	1	100.33	112.37
28	070544		Bushing in/out Lexan <sup>1</sup>	2	4.75	5.32
29	071895		Sleeve, rubber in/out 2 in. <sup>1</sup>	2	8.96	10.04
30	071017		Safety shut-off <sup>1</sup>	2	35.66	39.94
31	070985		Main header, in/out <sup>1</sup>	1	549.17	615.07
<b>HEAT EXCHANGER, WITH HEADS</b>						
32	470364	150	Heat exchanger	1	1826.88	2046.11
32	470365	200	Heat exchanger	1	1912.70	2142.22
32	470366	250	Heat exchanger	1	1988.56	2227.19
32	470367	300	Heat exchanger	1	2084.83	2335.01
32	470368	350	Heat exchanger	1	2046.76	2292.37
32	470369	400	Heat exchanger	1	2243.37	2512.57
<b>HEAT EXCHANGER, WITHOUT HEADS</b>						
32	074452	150	Heat exchanger	1	642.65	719.77
32	075628	200	Heat exchanger	1	706.61	791.40
32	074451	250	Heat exchanger	1	863.90	967.57
32	075629	300	Heat exchanger	1	872.02	976.66
32	075630	350	Heat exchanger	1	955.26	1069.89
32	074074	400	Heat exchanger	1	1052.34	1178.62

<sup>1</sup> Part No. used in Model Nos., 150, 200, 250, 300, 350, 400.

<sup>2</sup> Part No. used in Model Nos., 150, 200.

<sup>3</sup> Part No. used in Model Nos., 250, 300.

<sup>4</sup> Part No. used in Model Nos., 350, 400.

<sup>5</sup> Part No. used in Model Nos., 150, 250, 300, 350, 400.

Item	Part No.	Mod.	Description	Qty.	US List	Can. List
33	070277	150	Baffle	8	5.07	5.68
33	075559	200	Baffle	8	4.75	5.32
33	070276	250	Baffle	8	5.07	5.68
33	075560	300	Baffle	8	4.75	5.32
33	070277	350	Baffle	16	5.07	5.68
33	070278	400	Baffle	16	5.43	6.08
34	472329		Baffle hld. down, 2 baffles on 400, 350	1	7.86	8.80
35	073864	150	Flue collector	1	148.36	166.16
35	075622	200	Flue collector	1	166.05	185.98
35	073863	250	Flue collector	1	166.05	185.98
35	075623	300	Flue collector	1	CALL	CALL
35	075624	350	Flue collector	1	158.13	177.11
35	073862	400	Flue collector	1	166.05	185.98
<b>LIGHTBACK SHIELD (NATURAL GAS UNITS ONLY)</b>						
36	075783	150	Lightback shield	2	CALL	CALL
36	075784	200	Lightback shield	2	CALL	CALL
36	075785	250	Lightback shield	2	CALL	CALL
36	075786	300	Lightback shield	2	CALL	CALL
36	075787	350	Lightback shield	2	26.85	30.07
36	075788	400	Lightback shield	2	30.42	34.07
<b>NOT SHOWN</b>						
	070715		Plastic mounting bracket <sup>1</sup>		1.21	1.36
	470965		Wire kit, harness IID, complete <sup>1</sup>		94.78	106.15
	071703		Screw, 8 x $\frac{1}{4}$ in. hh. <sup>1</sup>		CALL	CALL
	071698		Screw, 8 x $\frac{1}{2}$ in. hh. <sup>1</sup>		1.21	1.36
	071716		Screw, 6 x $\frac{1}{4}$ in. <sup>1</sup>		1.21	1.36
	071659		Screw, 10-32 x $\frac{1}{4}$ in. <sup>1</sup>		CALL	CALL
	075692		Screw, 10-32 x $\frac{3}{16}$ <sup>1</sup>		CALL	CALL
	070551		Bushing, $\frac{1}{2}$ in. <sup>1</sup>		CALL	CALL
	470414		Therm. knob stopper <sup>1</sup>	2	6.51	7.29
	470178		Power element, flow-valve <sup>1</sup>	1	46.70	52.30
	073725		Bolt $\frac{5}{16}$ , 18 x $\frac{3}{4}$ in. <sup>1</sup>	2	1.21	1.36
	073727		Orifice main burner natural <sup>1,6</sup>		5.91	6.62
	073728		Orifice main burner propane <sup>1,6</sup>		5.91	6.62
	471204		Pilot, natural, IID <sup>1</sup>	1	92.25	103.32
	471205		Pilot, propane, IID <sup>1</sup>	1	92.25	103.32
	075173		Thermal cut-off <sup>1</sup>	1	17.84	19.98
	470180		Thermistor, probe, complete, IID Models <sup>1</sup>	1	35.69	39.97
	470181		Stem, thermostat control, IID models	2	4.75	5.32

<sup>6</sup> Qty. = Model N or P 150 (3 ea.), 200 (4 ea.), 250 (5 ea.), 300 (6 ea.), 350 (7 ea.), 400 (8 ea.).

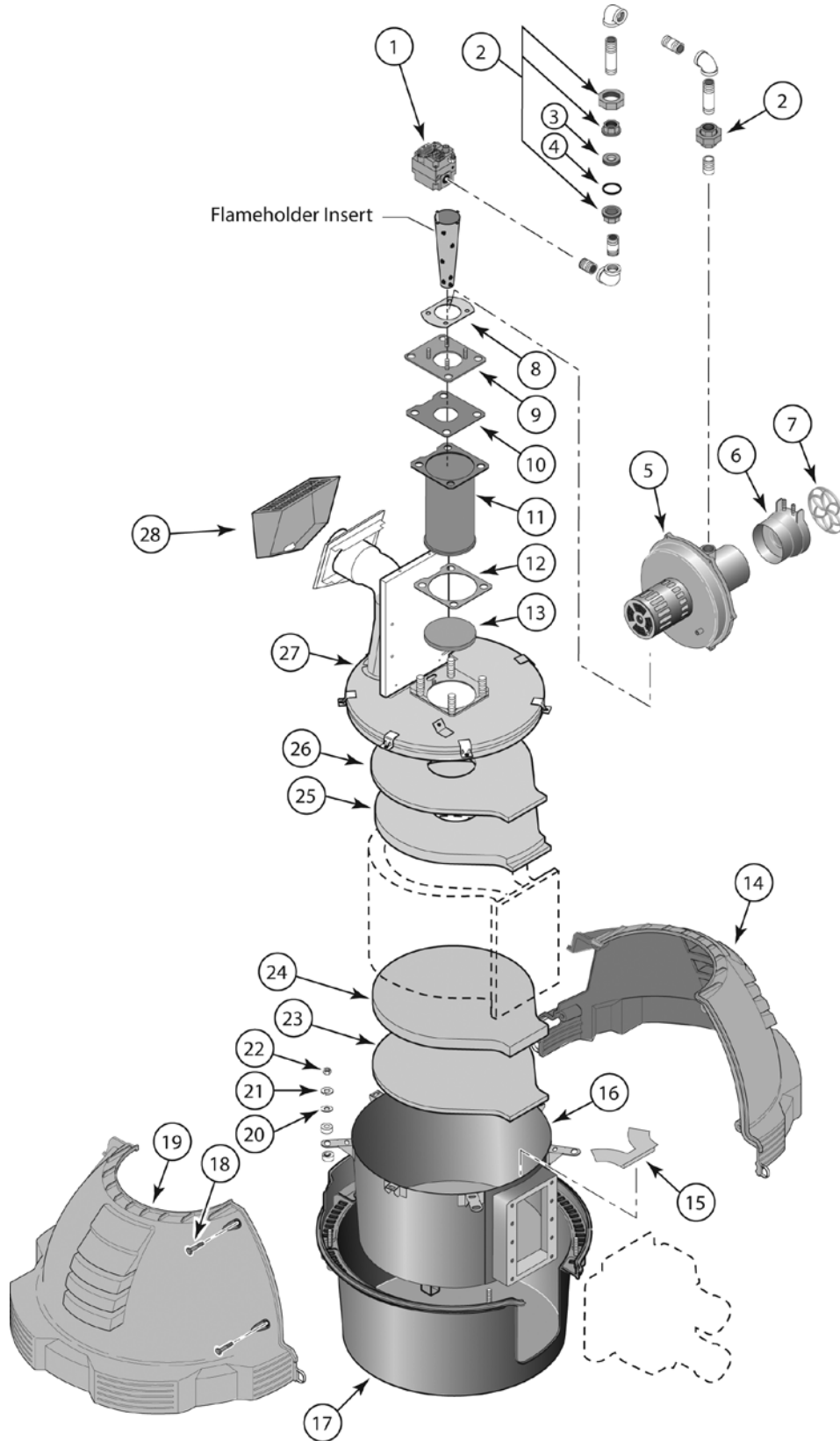
<sup>7</sup> ASME or Local Code

<sup>8</sup> Qty. = Model 150 (2 ea.), 200 (3 ea.), 250 (4 ea.), 300 (5 ea.), 350 (6 ea.), 400 (7 ea.).

<sup>9</sup> Previously Manufactured Model.

# Max-E-Therm® Heater

## Burner System Replacement Parts





# Max-E-Therm® Heater (Cont'd)

## Burner System Replacement Parts



Item No.	Part No.	Description	US List	Can. List
<b>MAX-E-THERM BURNER SYSTEM</b>				
1	42001-0051S	Combination Gas Control Valve Kit	338.51	379.13
2	38404-4097S	¾" Union	27.78	31.11
5	77707-0251	Air Blower Kit, Natural - 200NA Model (Single Volt Blower Adapter Included)	640.07	716.88
5	77707-0252	Air Blower Kit, Natural - 333NA Model (Single Volt Blower Adapter Included)	640.07	716.88
5	77707-0253	Air Blower Kit, Natural - 400NA Model (Single Volt Blower Adapter Included)	640.07	716.88
5	77707-0254	Air Blower Kit, Propane - 200LP Model (Single Volt Blower Adapter Included)	640.07	716.88
5	77707-0255	Air Blower Kit, Propane - 333LP Model (Single Volt Blower Adapter Included)	640.07	716.88
5	77707-0256	Air Blower Kit, Propane - 400LP Model (Single Volt Blower Adapter Included)	640.07	716.88
7	42001-0114S	Air Orifice Kit	CALL	CALL
14	77707-0002	Enclosure Kit, Upper Right-Hand	168.43	188.64
16	42001-0200S	One Piece Metal Chamber/Combustion Chamber Assembly	341.12	382.05
16	474095	One Piece Metal Chamber/Combustion Chamber Assembly <sup>2</sup>	527.78	591.11
17	42001-0001S	Lower Enclosure	410.40	459.65
19	77707-3200N	Enclosure Kit, Upper Left-Hand – Natural (200)	175.53	196.59
19	77707-3333N	Enclosure Kit, Upper Left-Hand – Natural (333)	175.53	196.59
19	77707-3400N	Enclosure Kit, Upper Left-Hand – Natural (400)	175.53	196.59
19	77707-3200L	Enclosure Kit, Upper Left-Hand – Propane (200)	175.53	196.59
19	77707-3333L	Enclosure Kit, Upper Left-Hand – Propane (333)	175.53	196.59
19	77707-3400L	Enclosure Kit, Upper Left-Hand – Propane (400)	CALL	CALL
27	42001-0214S	One Piece Metal Elbow/Combustion Chamber Cover Assembly	419.96	470.36
27	474094	One Piece Metal Elbow/Combustion Chamber Cover Assembly <sup>2</sup>	597.22	668.89
28	42002-0005S	Metal Vent Cover	101.90	114.13
29	42001-0074S	Kit Lower Enclosure Insulation	42.69	47.81
<b>NOT SHOWN</b>				
	77707-0431	Gas Orifice Kit – Natural - 200 Model (Incl. 3 & 4) <sup>1</sup>	42.38	47.47
	77707-0421	Gas Orifice Kit – Natural - 333 Model (Incl. 3 & 4) <sup>1</sup>	42.38	47.47
	77707-0411	Gas Orifice Kit – Natural - 400 Model (Incl. 3 & 4) <sup>1</sup>	42.38	47.47
	77707-0461	Gas Orifice Kit – Propane - 200 Model (Incl. 3 & 4) <sup>1</sup>	42.38	47.47
	77707-0451	Gas Orifice Kit – Propane - 333 Model (Incl. 3 & 4) <sup>1</sup>	42.38	47.47
	77707-0441	Gas Orifice Kit – Propane - 400 Model (Incl. 3 & 4) <sup>1</sup>	42.38	47.47
	77707-1461	NG to Propane Conversion Kit – 200 Model (Incl. 3 & 4) <sup>1</sup>	43.82	49.08
	77707-1451	NG to Propane Conversion Kit – 333 Model (Incl. 3 & 4) <sup>1</sup>	43.82	49.08
	77707-1441	NG to Propane Conversion Kit – 400 Model (Incl. 3 & 4) <sup>1</sup>	43.82	49.08
	77707-1431	Propane to NG Conversion Kit – 200 Model (Incl. 3 & 4) <sup>1</sup>	43.82	49.08
	77707-1421	Propane to NG Conversion Kit – 333 Model (Incl. 3 & 4) <sup>1</sup>	43.82	49.08
	77707-1411	Propane to NG Conversion Kit – 400 Model (Incl. 3 & 4) <sup>1</sup>	43.82	49.08
	77707-0111	Air Orifice Kit - (Incl. 6 & 7, 200 Model Only)	50.97	57.09
	77707-0112	Air Orifice Kit - (Incl. 6 & 7, 333 Model Only)	50.97	57.09
	77707-0113	Air Orifice Kit - (Incl. 6 & 7, 400 Model Only)	50.97	57.09
	77707-0011	Blower/Adapter Plate Gasket Kit - (Incl. 8, 9, 10, & 12)	50.22	56.25
	77707-0202	Flameholder Kit - 200 Model (Incl. 10, 11, 12 & 13)	119.28	133.59
	77707-0203	Flameholder Kit - 333 Model (Incl. 10, 11, 12, 13, & Flameholder Insert)	134.20	150.30
	77707-0204	Flameholder Kit - 400 Model (Incl. 10, 11, 12, 13, & Flameholder Insert)	156.57	175.36
	77707-0008	Insulation Kit - (Includes Item Nos. 15, 23, 24, 25 & 26)	189.02	211.70
	42001-0074S	Lower Enclosure Insulation	42.69	47.81
	77707-0008	Installation Kit (Includes items 15, 23-26)	189.02	211.70
	77707-0112	Air Orifice Kit 333 Model	50.97	57.09
	77707-0113	Air Orifice Kit 400 Model	50.97	57.09

<sup>1</sup> Not included with heater. Order separately.

<sup>2</sup> For Heaters Manufactured after 1/12/09 (New Tub Design)

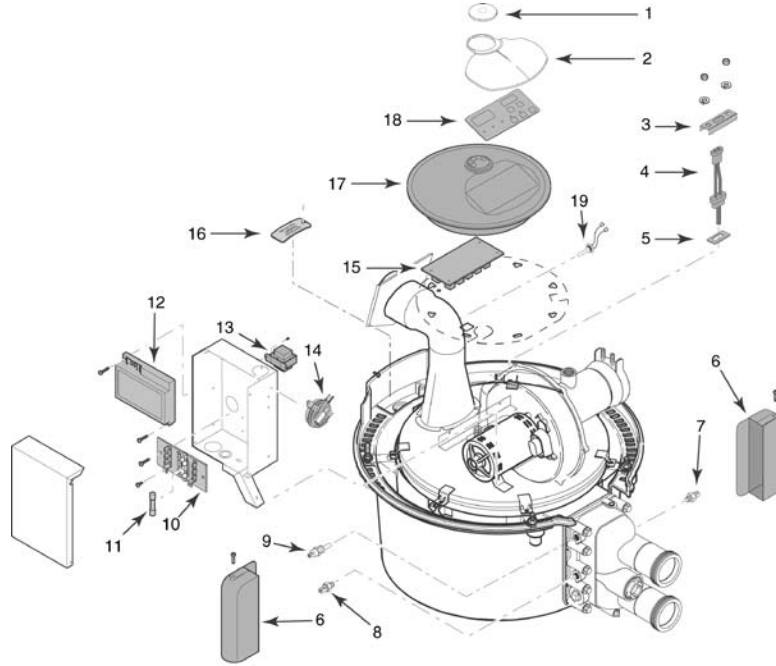
NOTE: Kits include Clamp assembly, O-ring and silicone tube.

Product on page 84-85



# Max-E-Therm® Heater

## Electrical System Replacement Parts

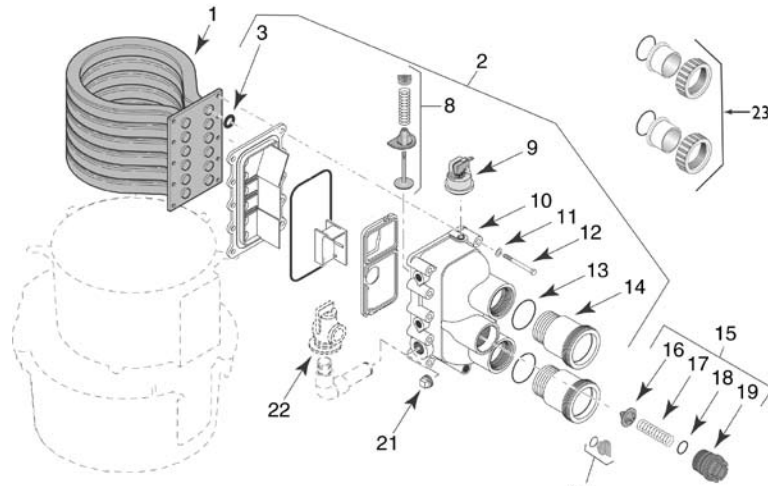


Item No.	Part No.	Description	Qty.	US List	Can. List
<b>MAX-E-THERM ELECTRICAL SYSTEM</b>					
1	77707-0009	Display Cover Retainer Cap Kit, Cap and CPSC Warning Label	1	55.56	62.23
2	42001-0008S	Heater Display Cover	1	31.22	34.97
3	42001-0030S	Igniter Bracket	1	41.67	46.67
4	77707-0054	Igniter/Igniter Gasket Kit (Incl. Key Nos. 4 and 5)	1	64.57	72.32
5	42001-0066S	Igniter Gasket	1	41.67	46.67
6	42001-0007S	Manifold Switch Cover	2	41.67	46.67
7	42002-0025S	Automatic Gas Shutoff Switch (AGS)	1	39.70	44.46
8	42001-0063S	High Limit Switch	1	48.28	54.07
9	42001-0053S	Thermistor	1	61.66	69.06
10	42001-0056S	Terminal Board	1	41.67	46.67
11	32850-0099	Fireman's Switch Fuse (1.25A, 1-1/4")	1	6.46	7.24
12	42001-0052S	Ignition Control Module	1	258.87	289.93
13	42001-0107S	Transformer, 115/230V	1	52.66	58.98
13	42001-0057S	Transformer 120/240V, Dual and Single Adapter		49.72	55.69
14	42001-0061S	Air Flow Switch	1	106.76	119.57
15	42001-0096S	Control Board Kit (HD Series)	1	CALL	CALL
15	42002-0007S	Control Board Kit (NA, LP Series)	1	516.84	578.86
16	77707-0022	Junction Box Cover Kit	1	41.67	46.67
18	42002-0029Z	Switch Membrane Replacement		118.44	132.65
19	42002-0024S	Stack Flue Sensor		92.78	103.91
19b	42002-0009	Stack Flue Switch		73.97	82.85
<b>NOT SHOWN</b>					
	42001-0104S	Heater Wiring Harness - 115/230V	1	268.10	300.27
	42001-0105S	120/240 Volt Plug Kit	1	41.67	46.67
	77707-0004	Control Board Enclosure/Membrane Panel Kit, HD Series (Incl. 17, 18)	1	225.35	252.39
	77707-0013	Control Board Enclosure/Membrane Panel Kit, NA, LP Series (Incl. 17, 18)	1	436.73	489.14
	42002-0029Z	Stack Flue Service Kit		118.44	132.65
	42002-0009	Temp Probe		73.97	82.85
	42001-0057S	Transformer 120/240 (Dual and Single Adapter)		49.72	55.69
	42001-0247	Blower Adapter Dual/Single Volt		30.15	33.77

Product on page 84-85

# Max-E-Therm® Heater

## Water System Replacement Parts



Item No.	Part No.	Description	US List	Can. List	Item No.	Part No.	Description	US List	Can. List
<b>MAX-E-THERM WATER SYSTEM</b>									
1	77707-0232	Tube Sheet Coil Assembly Kit (NA, LP Series) (Incl. No. 3) - 200 Models	804.31	900.83	2	77707-0016	Manifold Kit (Incl. Nos. 3-14, 20-21, and 7-9 in "Electrical System" (Page 300) - 400 Models	496.18	555.72
1	474058	Tube Sheet Coil Assembly Kit (NA, LP Series) (Incl. No. 3) - 200 Models <sup>1</sup>	930.56	1042.23	3	77707-0117	Coil/Tubesheet Sealing O-Ring Kit - 200 Model	41.67	46.67
1	77707-0233	Tube Sheet Coil Assembly Kit (NA, LP Series) (Incl. No. 3) - 333 Models	1164.13	1303.83	3	77707-0118	Coil/Tubesheet Sealing O-Ring Kit - 333 Model	41.67	46.67
1	474060	Tube Sheet Coil Assembly Kit (NA, LP Series) (Incl. No. 3) - 333 Models <sup>1</sup>	1236.11	1384.44	3	77707-0119	Coil/Tubesheet Sealing O-Ring Kit - 400 Model	41.67	46.67
1	77707-0234	Tube Sheet Coil Assembly Kit (NA, LP Series) (Incl. No. 3) - 400 Models	1375.76	1540.85	7	77707-0017	Connector Tube Kit (Includes 1 Connector Tube and 1 O-Ring)	42.34	47.42
1	474061	Tube Sheet Coil Assembly Kit (NA, LP Series) (Incl. No. 3) - 400 Models <sup>1</sup>	1388.89	1555.56	8	77707-0001	Manifold Bypass Valve Package	44.14	49.44
1	77707-0242	Tube Sheet Coil Assembly Kit (HD Series) (Incl. No. 3) - 200 Models	981.98	1099.82	9	473716Z	Water Pressure Switch (ASME)	236.41	264.78
1	474062	Tube Sheet Coil Assembly Kit (HD Series) (Incl. No. 3) - 200 Models <sup>1</sup>	1361.11	1524.44	15	77707-0010	Thermal Regulator Kit (Incl. Key 16-19 and Spring Clip)	80.65	90.33
1	77707-0243	Tube Sheet Coil Assembly Kit (HD Series) (Incl. No. 3) - 333 Models	1343.77	1505.02	16	38000-0007S	Thermal Regulator (Includes Spring Clip)*	55.56	62.23
1	474064	Tube Sheet Coil Assembly Kit (HD Series) (Incl. No. 3) - 333 Models <sup>1</sup>	1944.44	2177.77	18	35505-1313	Thermal Regulator Cap O-ring (O-ring only)	3.93	4.40
1	77707-0244	Tube Sheet Coil Assembly Kit (HD Series) (Incl. No. 3) - 400 Models	1612.55	1806.06	20	U178-920P	Drain Plug	2.57	2.88
1	474065	Tube Sheet Coil Assembly Kit (HD Series) (Incl. No. 3) - 400 Models <sup>1</sup>	2263.89	2535.56	21	U78-60ZPS	¾" Pipe Plug	5.44	6.09
2	77707-0014	Manifold Kit (Incl. Nos. 3-14, 20-21, and 7-9 in "Electrical System" (Page 300) - 200 Models	496.18	555.72	22	473715Z	Kit Pressure Relief Valve	121.76	136.37
2	77707-0015	Manifold Kit (Incl. Nos. 3-14, 20-21, and 7-9 in "Electrical System" (Page 300) - 333 Models	496.18	555.72	23	PKG188	2" Union Adapter Package (includes 2)	CALL	CALL
<b>NOT SHOWN</b>									
		472648Z	Bypass Access Plug (ASME)	286.13	320.47				
		77707-0120	O-Ring Kit (Incl. Nos. 3, 5)	35.48	39.74				
		460940	6 Tube Pressure Vessel Kit (ASME) <sup>2</sup>	2386.11	2672.44				
		474096	6 Tube Pressure Vessel Kit (ASME) <sup>3</sup>	2708.33	3033.33				
		460923	Bypass Valve Kit	361.11	404.44				
		460924	Thermal Regulator Kit (incl. spring clip & install tools) (ASME)	232.69	260.61				
		460941	4 Tube Pressure Vessel Kit (ASME) <sup>2</sup>	2138.89	2395.56				
		474097	4 Tube Pressure Vessel Kit (ASME) <sup>3</sup>	2430.56	2722.23				

<sup>1</sup> For Heaters Manufactured after 1/12/09 (New Tub Design)

<sup>2</sup> For ASME Heaters Manufactured Prior to 3/24/09 (Old Tub Design)

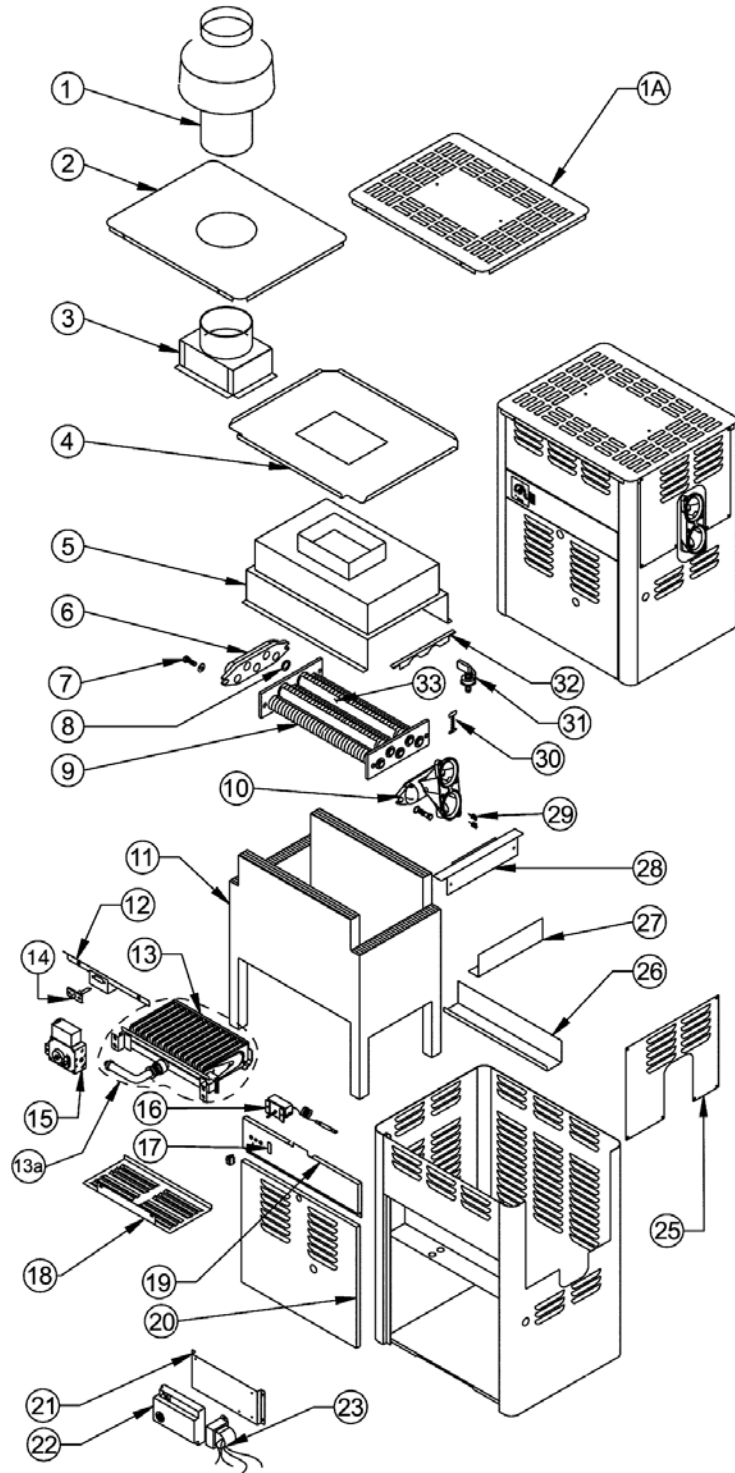
<sup>3</sup> For ASME Heaters Manufactured After to 3/24/09 (New Tub Design)

NOTE: Kits include Clamp assembly, O-ring and silicone tube.

Product on page 84-85

# MiniMax<sup>®</sup> 75 and 100 Heaters

## Replacement Parts



# MiniMax<sup>®</sup> 75 and 100 Heaters (Cont'd)

## Replacement Parts



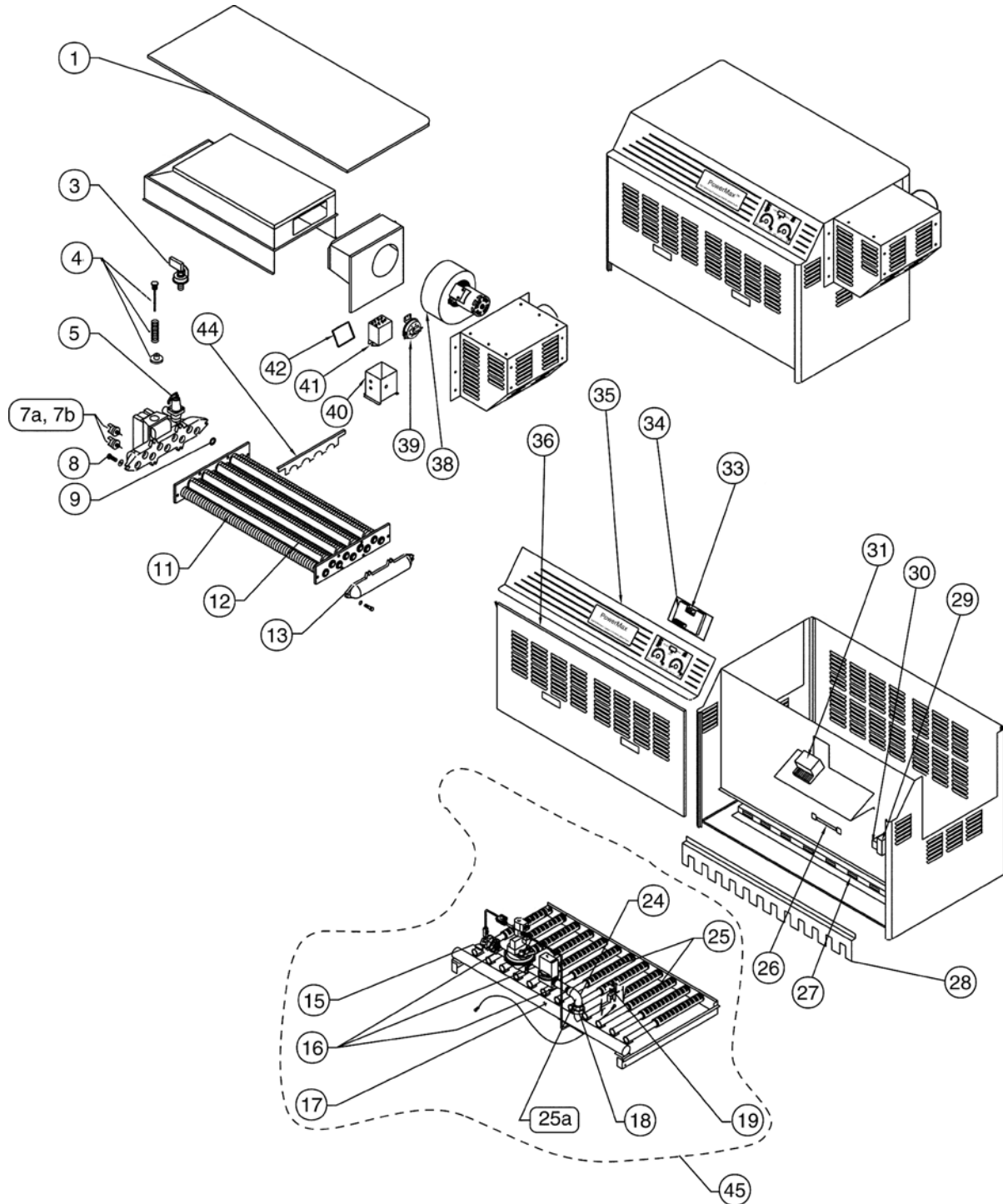
Item	Part No.	Description	Qty.	US List	Can. List
<b>MINIMAX<sup>®</sup> 75 AND 100 HEATERS</b>					
1	471187	Indoor draft hood kit <sup>1</sup>	1	248.92	278.79
1A	471213	Outdoor top	1	98.28	110.07
2	471075	Indoor top, cover <sup>1</sup>	1	64.79	72.56
3	471214	Indoor stack adapter <sup>1</sup>	1	CALL	CALL
4	471069	Middle top	1	47.76	53.49
5	471059	Flue collector	1	CALL	CALL
6	471096	Return header	1	54.91	61.50
7	471200	Bolt, <sup>3</sup> / <sub>8</sub> x 16 UNC x <sup>1</sup> / <sub>4</sub>	4	1.21	1.36
8	070951	Rubber seal tube	10	1.21	1.36
9	471093	Heat exchanger less heads	1	367.80	411.94
10	471094	Main header, inlet/outlet	1	176.83	198.05
11	471061	Insulation, front	1	32.44	36.33
11	471062	Insulation, back	1	30.23	33.86
11	471063	Insulation, sides	1	23.04	25.80
12	471058	Ignitor electrode bracket	1	26.85	30.07
13	471122	Burner, natural gas	1	252.67	282.99
13	471136	Burner, propane gas	1	252.67	282.99
13	471850	Burner, 75, natural gas	1	CALL	CALL
13a	471219	Burner tray assembly, complete, natural gas, millivolt	1	736.96	825.40
13a	471236	Burner tray assembly, complete, propane, millivolt	1	736.96	825.40
13a	471076	Burner tray assembly, complete, natural gas, DSI	1	566.57	634.56
13a	471077	Burner tray assembly, complete, propane, DSI	1	566.57	634.56
14	471090	Ignitor electrode	1	38.47	43.09
15	471088	Gas valve, natural, DSI, w/ bracket	1	215.14	240.96
15	471089	Gas valve, propane, DSI, w/ bracket	1	215.14	240.96
15	471436	Gas valve-natural, millivolt,	1	262.53	294.03
15	471435	Gas valve, propane, millivolt,	1	262.53	294.03
16	471431	Electronic thermostat, direct spark models	1	119.50	133.84
16	072022	Thermostat, millivolt models	1	145.48	162.94
17	471128	On/off switch S.P.S.T.	1	5.86	6.56
18	471070	Heat shield burner tray	1	CALL	CALL
19	471078	Control panel assembly	1	CALL	CALL
20	471067	Door assembly	1	72.72	81.45
21	471159	Control bracket	1	CALL	CALL
22	471091	Ignition control DSI	1	205.92	230.63
23	471360	Transformer w/circuit MMX	1	57.52	64.42
25	471071	Inspection panel	1	16.32	18.28

Item	Part No.	Description	Qty.	US List	Can. List
26	471169	Burner tray back support	1	CALL	CALL
27	471166	Burner tray side support	2	10.21	11.44
28	471164	Heat exchanger support brackets	2	17.56	19.67
29	071017	Hi-limit safety switch	2	35.66	39.94
30	471095	Flow valve, assembly	1	76.98	86.22
31	471097	Pressure switch	1	34.89	39.08
32	471064	Baffle hold down bracket	1	7.93	8.88
33	471065	Flue baffle	4	4.75	5.32
<b>NOT SHOWN</b>					
	075173	Thermal cutoff, fusible link	1	17.84	19.98
	471292	Pilot natural gas, millivolt	1	51.38	57.55
	471291	Pilot propane, millivolt	1	51.38	57.55
	071515	Thermopile generator	1	83.21	93.20
	075284	Quick-flange kit for 2 in. slip connection	1	100.33	112.37
	471083	Quick-flange II kit for 1- <sup>1</sup> / <sub>2</sub> in. thd. Connection	1	42.21	47.28
	471201	Kit wiring, MMX 100 millivolt	1	78.89	88.36
	471202	Kit wiring, MMX 100 DSI	1	92.79	103.92
	470184	Knob	1	9.97	11.17
	470414	Knob stopper	1	6.51	7.29
	075459	Presslite Piezo ignitor assembly, millivolt	1	15.76	17.65
	072136	Valve drain, <sup>1</sup> / <sub>4</sub> NPT	1	16.97	19.01
	471092	Hi-tension ignition cable	1	17.97	20.13
	070544	Rubber bushing, 2 in. i.d.	2	4.75	5.32
	471221	Pilot bracket/shield, millivolt	1	10.69	11.97
	471260	Manifold	1	17.80	19.94
	471138	Rod flow valve	1	12.51	14.01
	471139	Spring flow valve	1	6.11	6.84
	471140	Plug flow valve	1	25.28	28.31
	471141	Plunger flow valve	1	4.75	5.32
	076618	Pilot Tube	1	8.32	9.32
	075190	Break Away Fitting	1	4.75	5.32

<sup>1</sup> Indoor draft hood kit consisting of indoor draft hood (471198) and items 2 & 3

# PowerMax<sup>®</sup> Commercial Heater

Manufactured Prior to July 2006 - Replacement Parts



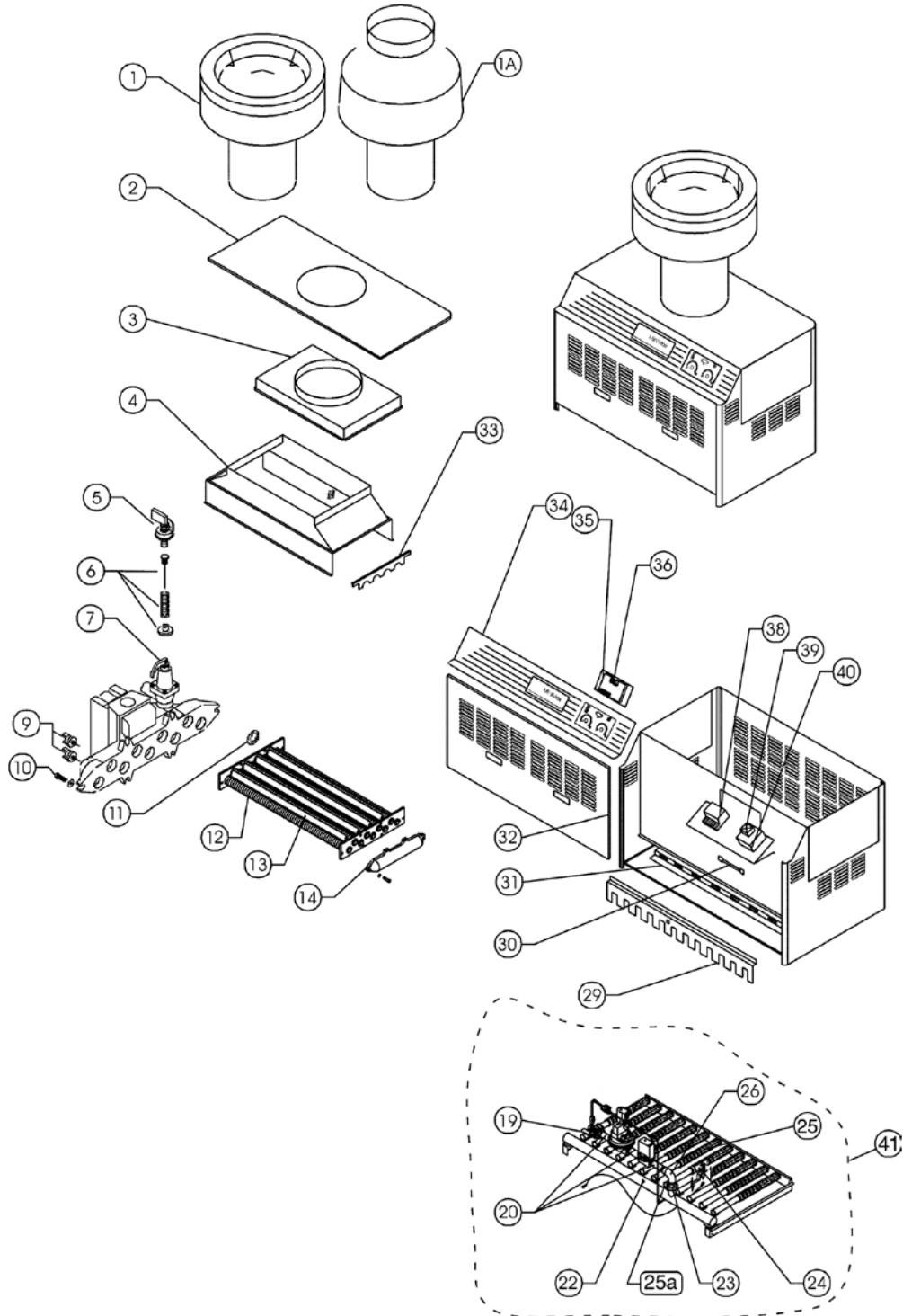
# PowerMax<sup>®</sup> Commercial Heater (Cont'd)

Manufactured Prior to July 2006 - Replacement Parts

Item	Description	US List	Can. List	Item	Description	US List	Can. List
<b>POWERMAX™ COMMERCIAL HEATER</b>							
1	471310 Top cover (Model 900)	CALL	CALL	28	470792 Retainer shield (Model 525)	35.09	39.30
3	470190 Pressure switch	94.87	106.25	28	470793 Retainer shield (Model 750)	55.56	62.23
4	470747 Flow valve assembly (Model 525)	65.44	73.29	28	470794 Retainer shield (Model 900)	43.42	48.63
4	471114 Flow valve assembly (Model 750)	83.33	93.33	29	471426 Junction box	30.60	34.27
4	471115 Flow valve assembly (Model 900)	65.44	73.29	30	471571 Transformer	66.72	74.73
5	470768 Pressure relief valve	357.67	400.59	31	073584 Module IID S8600F natural	257.22	288.09
7a	071017 Hi-limit switch, 150° shut-off	35.66	39.94	31	073585 Module IID S8600H propane	265.66	297.54
7b	471175 Hi-limit switch, 135° shut-off	56.47	63.25	33	470186 Rocker switch	9.77	10.94
8	470966 Bolts	21.22	23.77	34	470179 Thermostat board	189.49	212.23
9	470742 Rubber seal	4.75	5.32	35	470753 Control panel (Model 525)	419.97	470.37
10	470979 Combustion chamber (Model 900)	CALL	CALL	35	470754 Control panel (Model 750)	515.40	577.25
11	470735 Heat Exchanger Assembly (Model 525)	3428.99	3840.47	35	470755 Control panel (Model 900)	528.22	591.61
11	470736 Heat exchanger assembly (Model 750)	3209.88	3595.07	38	471313 Blower (Model 525)	833.33	933.33
11	470737 Heat exchanger assembly (Model 900)	3635.16	4071.38	38	471314 Blower (Model 750 & 900)	1018.46	1140.68
12	470645 Baffle (Model 525)	20.74	23.23	39	471428 Air pressure switch	59.32	66.44
12	470646 Baffle (Model 750)	19.33	21.65	40	470331 Blower control box	44.05	49.34
13	470646 Baffle (Model 900)	19.33	21.65	41	470010 Relay	43.06	48.23
14	470745 Return header	329.41	368.94	44	470799 Baffles hold down	22.23	24.90
14	470772 Pilot manual valve (Model 900)	44.17	49.47	45	470648 Burner tray assembly natural (Model 525)	2479.06	2776.55
15	470773 Main shut-off valve	178.11	199.48	45	470649 Burner tray assembly natural (Model 750)	2396.00	2683.52
17	470653 Manifold (Model 750)	273.25	306.04	45	470650 Burner tray assembly natural (Model 900)	3710.30	4155.54
19	471204 Pilot Q3451B1178 natural	92.25	103.32	45	470669 Burner tray assembly propane (Model 750)	2752.26	3082.53
19	471205 Pilot Q3451B1236 propane	92.25	103.32	<b>NOT SHOWN</b>			
20	470771 Pilot regulator (Model 900)	98.44	110.25	470180	Thermistor (probe) complete	35.69	39.97
21	470770 Pilot valve (Model 900)	255.13	285.75	470181	Stem, thermostat control	4.75	5.32
22	470688 Gas valve solenoid 900 (Model 900)	621.08	695.61	470184	Knob, thermostat	9.97	11.17
22	470688 Gas valve natural (Model 525 & 750)	621.08	695.61				
22	470892 Gas valve propane (Model 525 & 750)	936.13	1048.47				
23	470687 Gas valve diaphragm natural (Model 900)	728.63	816.07				
25	471537 Burner alternate comm	93.98	105.26				
25a	471545 Burner w/pilot bracket (Model 525)	170.15	190.57				
26	075173 Thermal cut-off	17.84	19.98				

# MiniMax<sup>®</sup> Commercial Heater

Manufactured Prior to July 2006 - Replacement Parts



In January 1996, the circuit boards for MiniMax Heaters were changed at the terminals by request of the American National Standard Institute (ANSI) and the American Gas Association (A.G.A.), the two approval agencies for the manufacturing of gas heaters in the United States. If you have a heater manufactured before January 1, 1996 and you receive a newer circuit board with the smaller terminals and the older thermistor has larger connectors, the larger connectors can be crimped so they will fit tight on the newer circuit board terminals, contact a Pool Service Professional for details.



# MiniMax<sup>®</sup> Commercial Heater (Cont'd)

## Replacement Parts



Item	Description	Part No.	US List	Can.List
<b>MINIMAX<sup>®</sup> COMMERCIAL HEATER</b>				
I	Outdoor vent cap kit* (Model 525)	460226	277.78	311.11
I	Outdoor vent cap kit* (Model 750)	460318	1250.81	1400.91
I	Outdoor vent cap kit* (Model 900)	460319	1599.84	1791.82
IA	Indoor draft hood kit* (Model 525)	460321	1619.30	1813.62
IA	Indoor draft hood kit* (Model 750)	460320	1274.84	1427.82
IA	Indoor draft hood kit* (Model 900)	460234	277.78	311.11
5	Pressure switch	470190	94.87	106.25
6	Flow valve assembly (Model 525)	470747	65.44	73.29
6	Flow valve assembly (Model 750)	471114	83.33	93.33
6	Flow valve assembly (Model 900)	471115	65.44	73.29
7	Pressure relief valve (Model 525)	470768	357.67	400.59
9	Hi-limit switch (Model 525)	071017	35.66	39.94
10	Bolts (Model 525)	470966	21.22	23.77
11	Rubber seal (Model 525)	470742	4.75	5.32
12	Heat exchanger assembly (Model 525)	470735	3428.99	3840.47
12	Heat exchanger assembly (Model 750)	470736	3209.88	3595.07
12	Heat exchanger assembly (Model 900)	470737	3635.16	4071.38
13	Baffle (Model 525)	470645	20.74	23.23
13	Baffle (Model 750)	470646	19.33	21.65
13	Baffle (Model 900)	470647	20.14	22.56
14	Return header	470745	329.41	368.94
16	Pilot valve (Model 900)	470770	255.13	285.75
17	Pilot regulator natural (Model 900)	470771	98.44	110.25
18	Pilot manual valve (Model 900)	470772	44.17	49.47
19	Main shut-off valve	470773	178.11	199.48
22	Manifold (Model 750)	470653	273.25	306.04
24	Pilot Q345A2816 natural	471204	92.25	103.32
24	Pilot Q345A2824 propane	471205	92.25	103.32
25	Burner, 525 -7 req., 750 - 10 req., 900 - 12 req.	471537	93.98	105.26
25A	Burner w/pilot bracket	471545	170.15	190.57

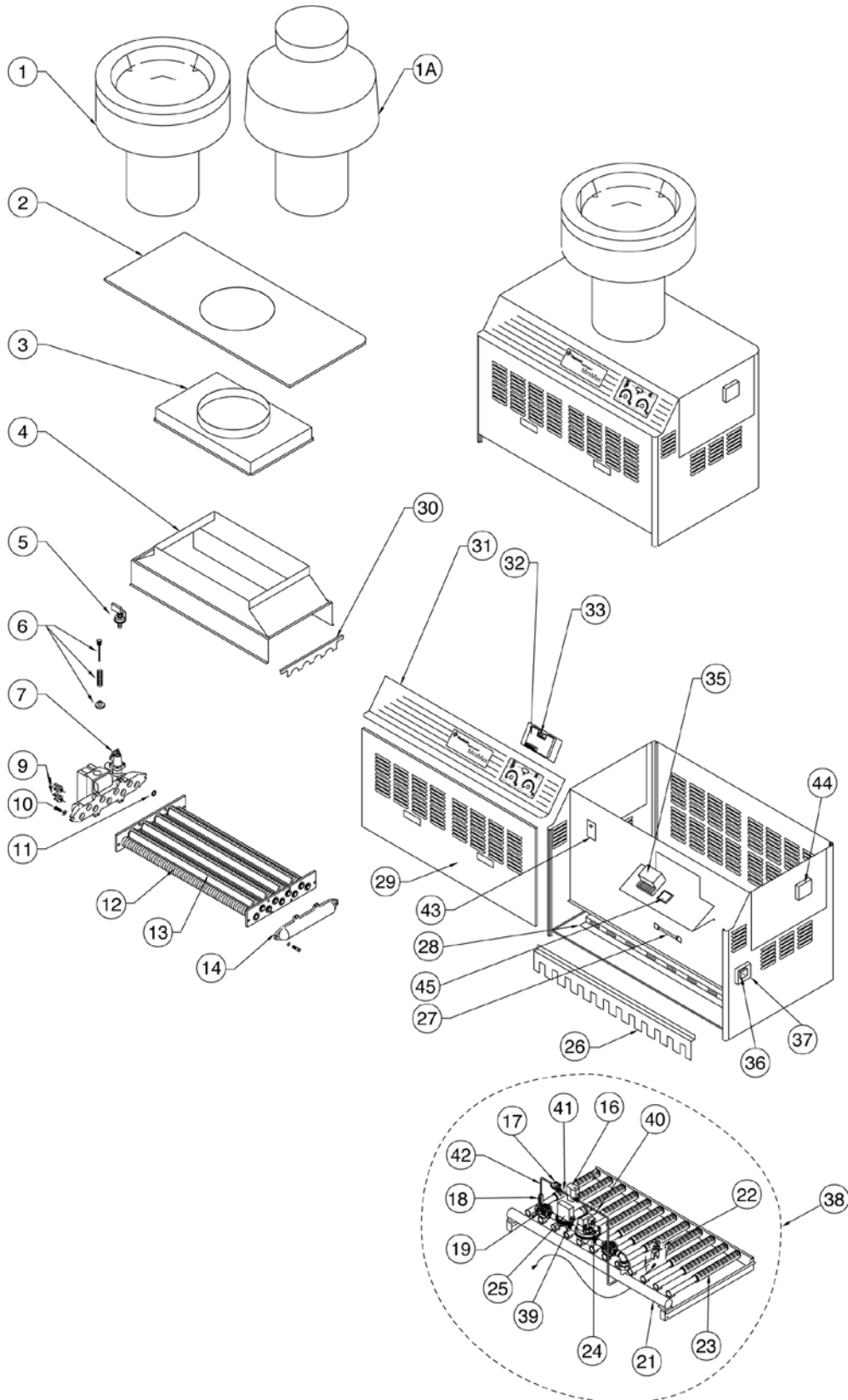
Item	Description	Part No.	US List	Can.List
27	Gas valve diaphragm natural (Model 900)	470687	728.63	816.07
28	Gas valve solenoid 900 (Model 900)	470688	621.08	695.61
28	Gas valve natural (Model 525 & 750)	470891	747.52	837.22
28	Gas valve propane (Model 525 & 750)	470892	936.13	1048.47
29	Retainer shield (Model 525)	470792	35.09	39.30
29	Retainer shield (Model 750)	470793	55.56	62.23
29	Retainer shield (Model 900)	470794	43.42	48.63
30	Thermal cut-off (Model )	075173	17.84	19.98
33	Baffle hold down	470799	22.23	24.90
34	Control panel (Model 525)	470753	419.97	470.37
34	Control panel (Model 750)	470754	515.40	577.25
34	Control panel (Model 900)	470755	528.22	591.61
35	Thermostat board	470179	189.49	212.23
36	Rocker switch	470186	9.77	10.94
38	Module IID S8600F natural	073584	257.22	288.09
38	Module IID S8600H propane	073585	265.66	297.54
39	Transformer	471571	66.72	74.73
40	Junction box	471426	30.60	34.27
41	Burner tray assembly natural (Model 525)	470648	2479.06	2776.55
41	Burner tray assembly natural (Model 750)	470649	2396.00	2683.52
41	Burner tray assembly propane (Model 750)	470669	2752.26	3082.53
41	Burner tray assembly natural (Model 900)	470650	3710.30	4155.54
<b>NOT SHOWN</b>				
	Drain valve	072134	25.53	28.59
	Thermistor (probe) complete	470180	35.69	39.97
	Stem, thermostat control	470181	4.75	5.32
	Knob, thermostat	470184	9.97	11.17

\* Choice of one vent kit, item No. I or No. IA, provided at no charge with initial commercial heater purchase

\*\* Item No. 21, hi-tension wire, is now part of pilot assembly, item No. 24

# MiniMax<sup>®</sup> Commercial Heater, w/CSD-I Controls

## Replacement Parts



# MiniMax<sup>®</sup> Commercial Heater, w/CSD-I Controls (Cont'd)

## Replacement Parts

Item	Description	Part No.	US List	Can. List
<b>MINIMAX<sup>®</sup> COMMERCIAL HEATER WITH CSD-I CONTROLS</b>				
I	Outdoor vent cap kit (Model 525) <sup>1</sup>	460226	277.78	311.11
I	Outdoor vent cap kit (Model 750) <sup>1</sup>	460318	1250.81	1400.91
I	Outdoor vent cap kit (Model 900) <sup>1</sup>	460319	1599.84	1791.82
IA	Indoor draft hood kit (Model 750) <sup>1</sup>	460320	1274.84	1427.82
IA	Indoor draft hood kit (Model 525) <sup>1</sup>	460321	1619.30	1813.62
5	Pressure switch	470190	94.87	106.25
6	Flow valve assembly (Model 525)	470747	65.44	73.29
6	Flow valve assembly (Model 750)	471114	83.33	93.33
6	Flow valve assembly (Model 900)	471115	65.44	73.29
7	Pressure relief valve	470768	357.67	400.59
	Hi-Limit switch	071017	35.66	39.94
10	Bolts	470742	4.75	5.32
11	Rubber Seal	470735	3428.99	3840.47
12	Heat exchange assembly (Model 525)	470736	3209.88	3595.07
12	Heat exchange assembly (Model 750)	470737	3635.16	4071.38
12	Heat exchange assembly (Model 900)	470645	20.74	23.23
13	Baffle (Model 525)	470646	19.33	21.65
13	Baffle (Model 750)	470646	19.33	21.65
13	Baffle (Model 900)	470647	20.14	22.56
14	Return header	470745	329.41	368.94
16	Pilot valve	470770	255.13	285.75
17	Pilot regulator natural	470771	98.44	110.25
18	Pilot manual valve	470772	44.17	49.47
19	Main shut-off valve	470773	178.11	199.48
21	Manifold (Model 750)	470653	273.25	306.04
22	Pilot Q3451B1178 natural	471204	92.25	103.32

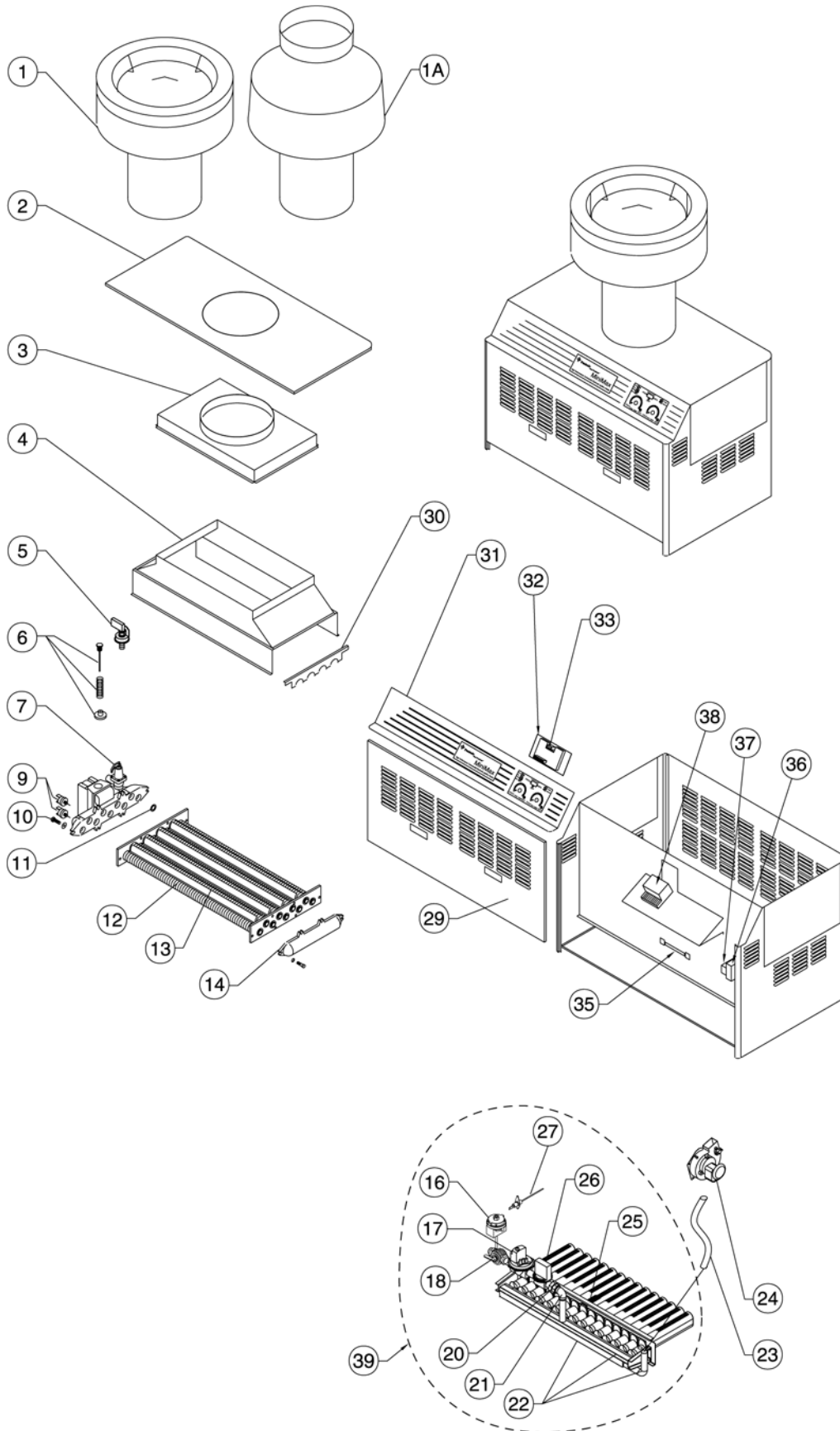
Item	Description	Part No.	US List	Can. List
22	Pilot Q3451B1236 propane	471205	92.25	103.32
23	Burner, qty. 7	471537	93.98	105.26
23a	Burner w/pilot bracket	471545	170.15	190.57
24	Gas valve diaphragm natural	470687	728.63	816.07
25	Gas valve solenoid	470688	621.08	695.61
26	Retainer shield (Model 525)	470792	35.09	39.30
26	Retainer shield (Model 750)	470793	55.56	62.23
26	Retainer shield (Model 900)	470794	43.42	48.63
27	Thermal cut-off	075173	17.84	19.98
30	Baffle hold down	470799	22.23	24.90
31	Control panel (Model 525)	470753	419.97	470.37
31	Control panel (Model 750)	470754	515.40	577.25
31	Control panel (Model 900)	470755	528.22	591.61
32	Thermostat board	470179	189.49	212.23
33	Rocker switch	470186	9.77	10.94
35	Module IID S8600F natural/propane	472339	307.55	344.46
36	Transformer	471571	66.72	74.73
37	J-box	471426	30.60	34.27
38	Burner tray assembly natural (Model 525)	470648	2479.06	2776.55
38	Burner tray assembly natural (Model 750)	470649	2396.00	2683.52
38	Burner tray assembly natural (Model 900)	470650	3710.30	4155.54
38	Burner tray assembly propane (Model 750)	470669	2752.26	3082.53
43	High limit control	472334	CALL	CALL
44	Low water cut-off	472337	CALL	CALL
45	Lock-out control	472338	219.68	246.04

<sup>1</sup> Choice of one vent kit, item No. I or No. IA, provided at no charge with initial commercial heater purchase

<sup>2</sup> Item No. 20, hi-tension wire, is now part of pilot assembly, item No. 22

# MiniMax<sup>®</sup> Commercial LOW NOx Heater

## Replacement Parts



# MiniMax<sup>®</sup> Commercial LOW NOx Heater (Cont'd)

## Replacement Parts

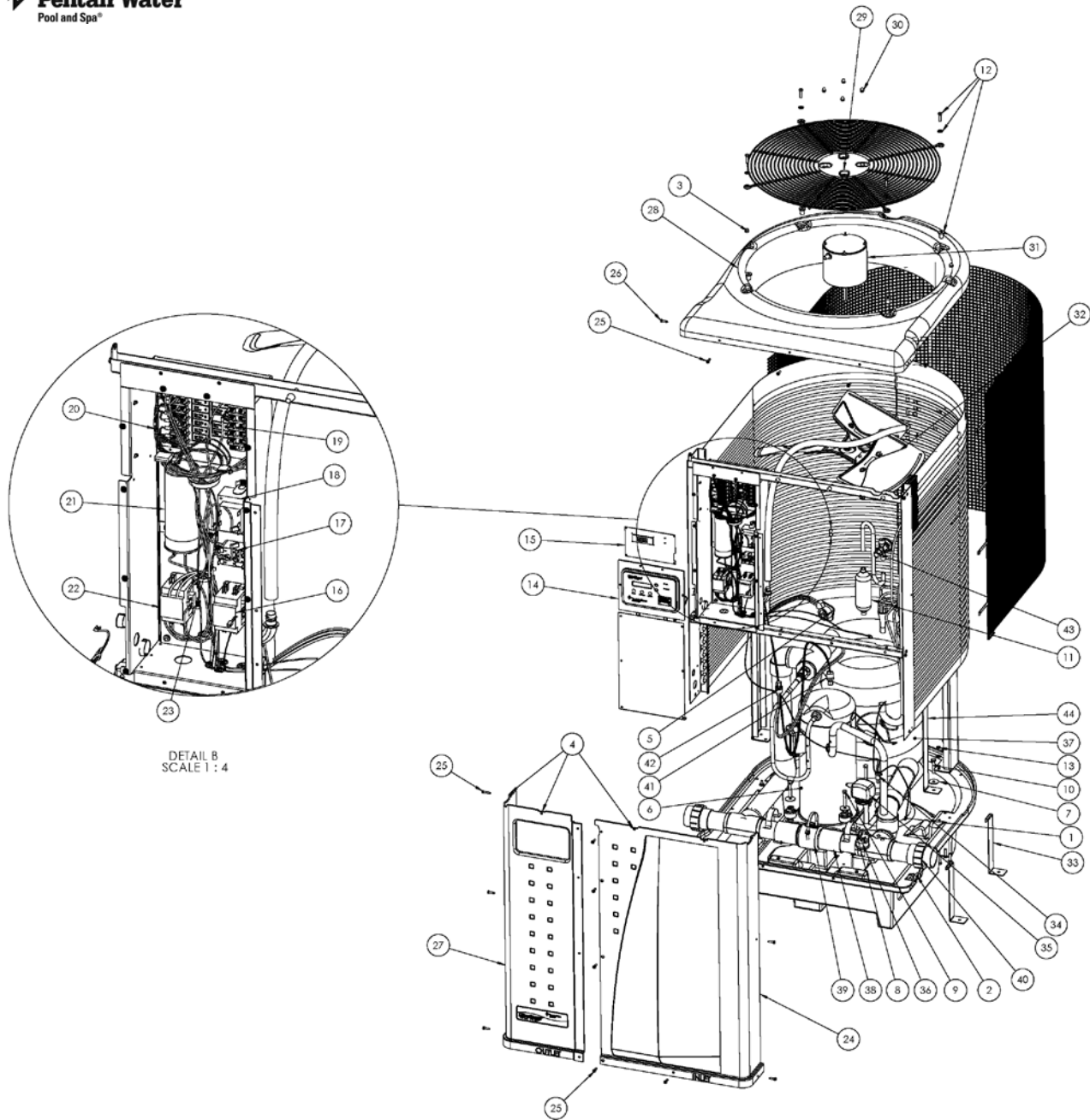
Item	Description	Part No.	US List	Can. List
<b>MINIMAX<sup>®</sup> COMMERCIAL LOW NOX HEATER</b>				
I	Outdoor vent cap kit (Model 525) <sup>1</sup>	460226	277.78	311.11
I	Outdoor vent cap kit (Model 750) <sup>1</sup>	460318	1250.81	1400.91
I	Outdoor vent cap kit (Model 900) <sup>1</sup>	460319	1599.84	1791.82
IA	Indoor draft hood kit (Model 525) <sup>1</sup>	460321	1619.30	1813.62
IA	Indoor draft hood kit (Model 750) <sup>1</sup>	460320	1274.84	1427.82
IA	Indoor draft hood kit (Model 900) <sup>1</sup>	460234	277.78	311.11
5	Pressure switch	470190	94.87	106.25
6	Flow valve assembly (Model 525)	470747	65.44	73.29
6	Flow valve assembly (Model 750)	471114	83.33	93.33
6	Flow valve assembly (Model 900)	471115	65.44	73.29
7	Pressure relief valve (Model 525)	470768	357.67	400.59
9	Hi-limit switch	071017	35.66	39.94
10	Bolts	470966	21.22	23.77
11	Rubber seal	470742	4.75	5.32
12	Heat exchanger assembly (Model 525)	470735	3428.99	3840.47
12	Heat exchanger assembly (Model 750)	470736	3209.88	3595.07
12	Heat exchanger assembly (Model 900)	470737	3635.16	4071.38
13	Baffle (Model 525)	470645	20.74	23.23
13	Baffle (Model 750)	470646	19.33	21.65
13	Baffle (Model 900)	470647	20.14	22.56
14	Return header	470745	329.41	368.94
16	Low gas pressure switch	471506	232.42	260.31

Item	Description	Part No.	US List	Can. List
17	Gas valve diaphragm natural (Model 525 & 750)	471501	700.87	784.97
17	Gas valve diaphragm natural (Model 900)	471500	663.99	743.67
18	Main shutoff valve	470773	178.11	199.48
19	Gas valve solenoid (Model 900)	470688	621.08	695.61
22	Gas & air manifold assembly (Model 750)	471473	550.74	616.83
23	Air supply pipe	471498	20.10	22.51
24	Blower	471481	522.84	585.58
25	Hot surface ignition	471491	96.60	108.19
26	OVO burner, qty. 7	471471	92.13	103.19
27	Remote sense electrode	473483	27.98	31.34
30	Baffles hold down	470799	22.23	24.90
31	Control panel (Model 525)	470753	419.97	470.37
31	Control panel (Model 750)	470754	515.40	577.25
31	Control panel (Model 900)	470755	528.22	591.61
32	Thermostat board	470179	189.49	212.23
33	Rocker switch	470186	9.77	10.94
35	Thermal cut-off	075173	17.84	19.98
36	J-box	471426	30.60	34.27
37	Transformer	471571	66.72	74.73
38	Ignition module	471492	722.53	809.23
39	Burner tray assembly (Model 525)	471482	3363.35	3766.95
39	Burner tray assembly (Model 750)	471483	3841.26	4302.21
39	Burner tray assembly (Model 900)	471484	CALL	CALL

<sup>1</sup> Choice of one vent kit, item No. I or No. IA, provided at no charge with initial commercial heater purchase

# UltraTemp® Heat Pump (460932, 460933, 460935)

## Replacement Parts



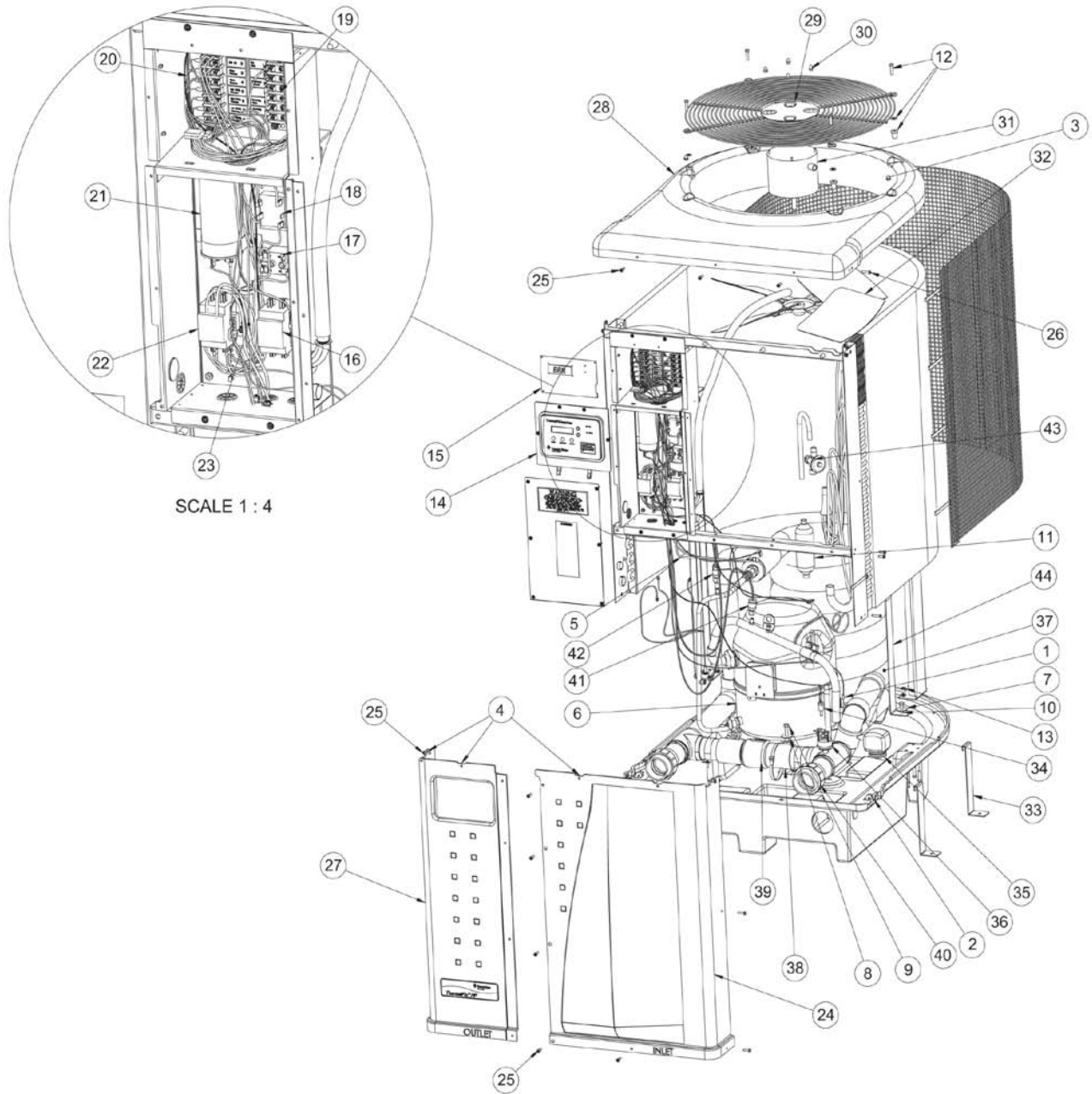
# UltraTemp® Heat Pump (Cont'd)

## Replacement Parts

Item	Part No.	Description	US List	Can. List	Item	Part No.	Description	US List	Can. List
<b>ULTRATEMP REPLACEMENT PARTS</b>									
1	473665	Probe Thermistor Defrost Sensor	34.46	38.60	25	470159	Screw #10 X .75" Pan Head Phillips, Almond Head	1.00	1.12
2	470284	Nut, J-Clip	2.41	2.70	26	470161	Screw #10 X 1" Button Head Torx, Almond Head	1.00	1.12
3	473285	Nut, 1/4-20 Ss Acorn	1.00	1.12	27	473755	Panel, Front Left, W/ Decal	196.86	220.48
4	470281	Nut, U-clip	2.01	2.25	28	473773	Hp Top	337.00	377.44
5	473732	Wire Harness, Compressor	76.33	85.49	29	473786	Guard, Fan	123.92	138.79
6	473734	Compressor, Scroll ZP83 (Model #120, 120HC)	CALL	CALL	30	470439	Nut, #10-32 SS Acorn	4.03	4.51
6	473735	Compressor, Scroll ZP70 (Model # 110)	CALL	CALL	31	473785	Fan Motor W/ Acorn Nut Kit	302.39	338.68
7	473295	Fender Washer	1.00	1.12	32	473783	Fan Blade	142.50	159.60
8	473736	Compressor Isolation Kit, Grommet And Spacer 1 Set	21.67	24.27	33	470137	Tie Down Bracket	15.60	17.47
9	473745	Bolt 5/16-18 X 2" Ss	3.51	3.93	34	471566	Probe Thermister - Water Temperature	40.60	45.47
10	98219800	Bolt 5/16-18 X 1" Ss	1.21	1.36	35	473606	Water Pressure Switch Boot	5.24	5.87
11	473121	Drier (Model # 110, 120 Heat Only)	74.68	83.64	36	473605	Water Pressure Switch	59.75	66.92
11	473139	Drier (Model # 120 Hc)	221.88	248.51	37	473992	Titanium Heat Exchanger	2484.78	2782.95
12	470441	Fan Guard Fastener Kit	6.16	6.90	38	473774	Water Bypass Manifold	346.92	388.55
13	071406	Nut, 1/4-20 Hex SS	1.21	1.36	39	R172305	Water Bypass Check Valve	CALL	CALL
14	473777	Bezel, Control Board With Label	125.42	140.47	40	473381	Union Pvc 2"	21.99	24.63
15	473602	Auto Heat Control Board	CALL	CALL	41	473656	Switch, Low Pressure	90.24	101.07
16	473603	Pump Contactor Autoheat	46.75	52.36	42	473744	Switch, High Pressure	73.67	82.51
17	473150	Fan Relay	87.47	97.97	43	473787	Thermostatic Expansion Valve (Model 120)	194.25	217.56
18	473155	Transformer	127.83	143.17	43	473999	Thermostatic Expansion Valve (Model 120HC, 110)	194.25	217.56
19	473422	Wire Harness Terminal Block-Fan, Compressor	65.85	73.75	44	473772	Titanium Water Coil Tie Down Strap (1 On All Models)	CALL	CALL
20	473315	Wire Harness, Terminal Block-Sensors	80.40	90.05	44	473789	Titanium Water Coil Tie Down Strap (1 On All Models)	61.75	69.16
21	473731	Capacitor	74.08	82.97	<b>NOT SHOWN</b>				
22	473149	Contactor, Heat Pump	135.82	152.12	473135	Reversing valve (Model # 120HC)	694.44	777.77	
23	473423	Wire Harness, Main	63.75	71.40	473136	Reversing Solenoid (Model #120HC)	112.91	126.46	
24	473742	Panel, Front Right	186.11	208.44					

# ThermalFlo™ Heat Pump Titanium (460912, 460913, 460914, 460915, & 460922)

## Replacement Parts





# ThermalFlo™ Heat Pump Titanium (Cont'd)

## Replacement Parts



Item	Part No.	Description	US List	Can. List
<b>THERMALFLO™ HP TITANIUM</b>				
1	473665	Probe Thermister Defrost Sensor	34.46	38.60
2	470284	Nut, J-Clip	2.41	2.70
3	473285	Nut, ¼ - 20 SS Acorn	1.00	1.12
4	470281	Nut, U-Clip	2.01	2.25
5	470147	Wire Harness, Compressor	12.78	14.31
6	473024Z	Compressor, Trane GH633-LLI-G (Model # 500, 700, 900)	2015.50	2257.36
6	473025Z	Compressor, Trane GH673-LLI-G (Model # 1200, 1200R)	2015.50	2257.36
7	473295	Fender Washer	1.00	1.12
8	473026	Compressor Isolation kit, Grommet and Spacer (1 Set)	17.12	19.17
9	473294	Bolt 5/16 - 18 x 1.75" SS	1.00	1.12
10	98219800	Bolt 5/16 - 18 x 1" SS	1.21	1.36
11	473121	Drier (Model # 500, 700, 900, 1200)	74.68	83.64
11	473139	Drier, Reversible (Model # 1200R)	221.88	248.51
12	470441	Fan Guard Fastener Kit	6.16	6.90
13	071406	Nut, ¼ - 20 Hex SS	1.21	1.36
14	473693	Bezel, Control Board w/ Label	137.82	154.36
15	473602	Auto Heat Control Board	CALL	CALL
16	473603	Pump Contactor AutoHeat	46.75	52.36
17	473150	Fan Relay	87.47	97.97
18	473155	Transformer	127.83	143.17
19	473422	Wire Harness Terminal Block - Fan, Compressor	65.85	73.75
20	473315	Wire Harness, Terminal Block - Sensors	80.40	90.05
21	470146	Capacitor	64.95	72.74
22	473149	Contactor, Heat Pump	135.82	152.12
23	473423	Wire Harness, Main	63.75	71.40
24	473412	Panel, Front Right (Model# 500, 700)	159.58	178.73
24	473431	Panel, Front Right (Model# 900, 1200, 1200R)	181.76	203.57
25	470159	Screw #10 x .75" Pan Head Phillips, Almond Head	1.00	1.12
26	470161	Screw #10 x 1" Button Head Torx, Almond Head	1.00	1.12
27	470419	Panel, Front Left, w/ Decal (Model# 500, 700)	180.64	202.32

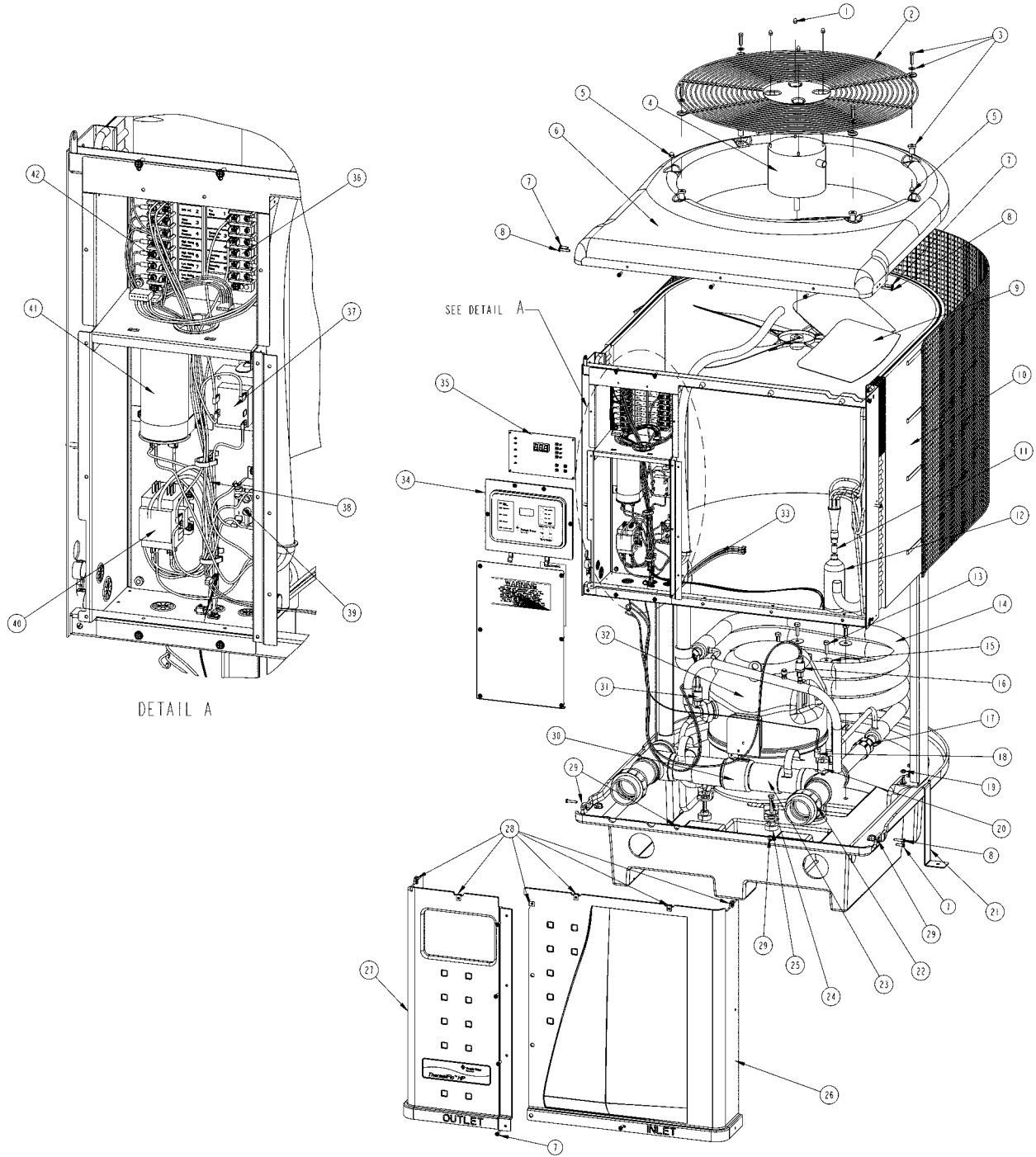
Item	Part No.	Description	US List	Can. List
27	470434	Panel, Front Left, w/ Decal (Model# 900, 1200, 1200R)	191.98	215.02
28	473134	HP Top	496.67	556.27
29	473368	Guard, Fan	90.13	100.95
30	470439	Nut, 10-32 SS Acorn	4.03	4.51
31	470289	Fan Motor w/ Acorn nut Kit	229.02	256.50
32	473223	Fan Blade	189.49	212.23
33	470137	Tie Down Bracket	15.60	17.47
34	471566	Probe Thermister - Water Temperature	40.60	45.47
35	473606	Water Pressure Switch Boot	5.24	5.87
36	473605	Water Pressure Switch	59.75	66.92
37	472737	Titanium Heat Exchanger (Model# 500)	2184.13	2446.23
37	472736	Titanium Heat Exchanger (Model# 700, 900, 1200, 1200R)	2483.40	2781.41
38	473664	Water Bypass Manifold	382.29	428.16
38	473774	Water Bypass Manifold <sup>1</sup>	346.92	388.55
39	R172305	Water Bypass Check Valve	CALL	CALL
40	473381	Union PVC 2"	21.99	24.63
41	473656	Switch, Low Pressure	90.24	101.07
42	473655	Switch, High Pressure	90.24	101.07
43	472735	Thermostatic Expansion Valve	184.28	206.39
44	473657	Titanium Water Coil Tie Down Strap	27.89	31.24
<b>NOT SHOWN</b>				
	473135	Reversing Valve (Model # 1200R)	694.44	777.77
	473136	Reversing Solenoid (Model # 1200R)	112.91	126.46

<sup>1</sup> For units manufactured after 7/1/09

# ThermalFlo™ Heat Pump (Cont'd)

(460812, 460813, 460814, 460815, & 460822)

## Replacement Parts



DETAIL A

# ThermalFlo™ Heat Pump

## Replacement Parts

Item	Part No.	Description	US List	Can. List
<b>THERMALFLO™ HP</b>				
1	470439	Nut, 10-32 SS acorn <sup>2</sup>	4.03	4.51
2	473368	Fan guard	90.13	100.95
3	470441	Fastener kit, fan guard, 1 set	6.16	6.90
4	470289	Fan motor w/acorn nuts	229.02	256.50
5	473285	Nut, ¼-20 SS acorn	1.00	1.12
6	473134	Top	496.67	556.27
7	470159	Screw, 10 x ¾ in. pan head phillips, almond head	1.00	1.12
8	470161	Screw, No.10 x 1 in. button head torx, almond head	1.00	1.12
9	473223	Blade, fan	189.49	212.23
11	473144	Orifice, reversing, Model No. 1200R	40.20	45.02
11	473145	Orifice, Model No. 500, 700, 900, 1200, 1200C	40.22	45.05
12	473121	Drier, Model No. 500, 700, 900, 1200, 1200C	74.68	83.64
12	473139	Drier, reversible, Model No. 1200R	221.88	248.51
13	98219800	Bolt <sup>5</sup> /16-18 x 1 in., SS	1.21	1.36
14	473416	Coil, water, Model No. 500	1384.20	1550.30
14	473417	Coil, water, Model No. 700, 900, 1200, 1200R, 1200C	1656.58	1855.37
15	473295	Washer, fender	1.00	1.12
16	473175	Switch, low pressure	89.88	100.67
17	473116	Compression fitting, water line, Model No. 500	22.59	25.30
17	473117	Compression fitting, water line, Model No. 700, 900, 1200, 1200R, 1200C	14.23	15.94
18	471566	Probe, Thermistor	40.60	45.47
19	071406	Nut, ¼-20 hex SS	1.21	1.36
20	473605	Switch, water pressure	59.75	66.92
21	470137	Bracket, tie down	15.60	17.47
22	473381	Union, 2 in. PVC	21.99	24.63
23	473320	Manifold, water bypass w/hartford loop, Model No. 700, 900, 1200, 1200R, 1200C	383.48	429.50
23	473424	Manifold, water bypass w/hartford loop, Model No. 500	369.65	414.01
24	473294	Bolt <sup>5</sup> /16-18 x 1-¾ 4 in. SS	1.00	1.12
25	473026	Compressor isolation kit, grommet & spacer, 1 set	17.12	19.17
26	473412	Panel, front right, Model No. 500, 700	159.58	178.73

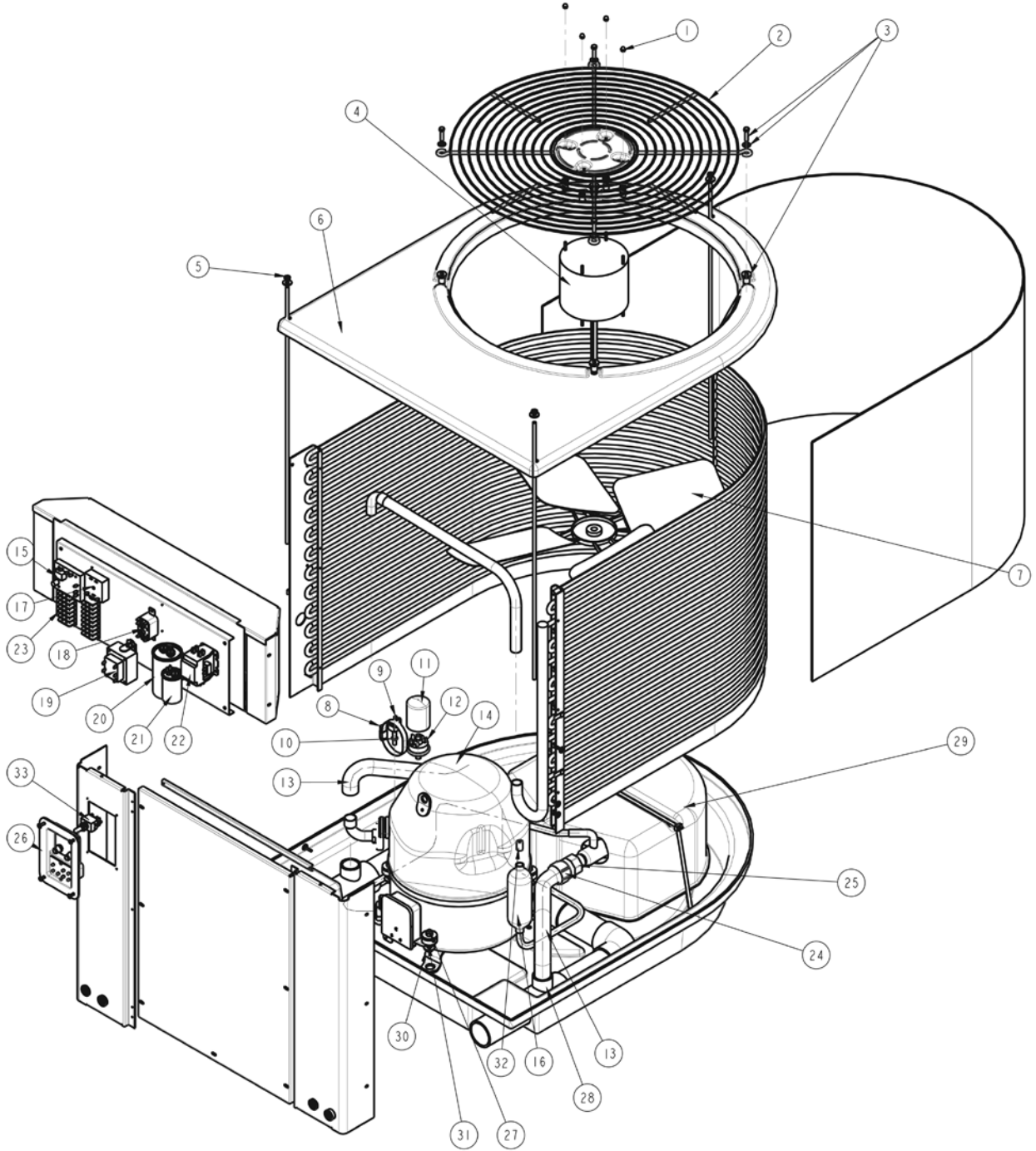
Item	Part No.	Description	US List	Can. List
26	473431	Panel, front right, Model No. 900, 1200, 1200R, 1200C	181.76	203.57
27	470419	Panel, front left, w/decal, Model No. 500, 700	180.64	202.32
27	470434	Panel, front left, w/decal, Model No. 900, 1200, 1200R, 1200C	191.98	215.02
28	470281	Nut, U-clip	2.01	2.25
29	470284	Nut, J-clip	2.41	2.70
30	R172305	Valve, check	CALL	CALL
31	473172	Switch, high pressure	89.88	100.67
32	473024Z	Compressor, Trane GH633-LLI-G, Model No. 500, 700, 900	2015.50	2257.36
32	473025Z	Compressor, Trane GH673-LMI-G, Model No. 1200, 1200R, 1200C	2015.50	2257.36
33	470147	Wire harness, compressor	12.78	14.31
34	473693	Bezel, control board w/label	137.82	154.36
35	472734	Control board assembly	344.56	385.91
36	473422	Wire harness, fan & compressor terminal block	65.85	73.75
37	473155	Transformer	127.83	143.17
38	473423	Wire harness, main	63.75	71.40
39	473150	Relay, fan	87.47	97.97
40	473149	Contactator	135.82	152.12
41	470146	Capacitor	64.95	72.74
42	473315	Wire harness, sensor terminal block	80.40	90.05
<b>NOT SHOWN</b>				
	473606	Rubber boot cover for water pressure switch	5.24	5.87
	473135	Reversing valve w/coil, Model No. 1200R	694.44	777.77
	473136	Solenoid, reversing, Model No. 1200R	112.91	126.46
	473432	Coil for reversing valve <sup>1</sup>	164.30	184.02
	473035	RotoLock Hi Side with Gasket	71.14	79.68
	473034	RotoLock Lo Side with Gasket	71.14	79.68

<sup>1</sup> For unit manufactured before 9-1-05

<sup>2</sup> For units manufactured after 9-1-05

# MiniMax<sup>®</sup> Plus HP

## Replacement Parts



# MiniMax® Plus HP (Cont'd)

## Replacement Parts



Item	Part No.	Description	US List	Can. List
<b>MINIMAX® PLUS HP</b>				
1	470439	Nut, 10-32 SS acorn	4.03	4.51
2	473368	Fan guard	90.13	100.95
3	470441	Fastener kit, fan guard, 1 set	6.16	6.90
4	473224	Motor, fan	284.31	318.43
5	473285	Nut, ¼-20 SS acorn	1.00	1.12
6	473222	Top	260.59	291.86
7	473223	Fan blade	189.49	212.23
8	9321004	Hose clamp, 2-¾ in.	3.99	4.47
9	520272	Temperature sensor, 10K OHM, 40 in.	59.43	66.56
10	9142109	O-ring 2-109	3.33	3.73
11	473364	Protective cap for water pressure switch	3.41	3.82
12	473070	Water pressure switch	150.57	168.64
13	473065	Hose, spa, 1 in.	5.57	6.24
14	473024	Compressor, Trane GH633-LLI-G, Model No. 400, 600, 800	CALL	CALL
14	473025	Compressor, Trane GH673-LMI-G, Model No. 1000, 1000R, CHILLR	CALL	CALL
15	473157	Circuit board, Honeywell	217.94	244.09
16	473121	Drier, Model No. 400, 600, 800, 1000, CHILLR	74.68	83.64
16	473139	Drier, Model No. 1000R	221.88	248.51
17	473156	Time delay SSAC	120.96	135.48
18	473150	Relay, fan	87.47	97.97
19	473155	Transformer	127.83	143.17
20	473198	Capacitor, 50 MFD 440V	55.72	62.41
21	473154	Capacitor, 7.5 MFD 370V	47.19	52.85
22	473149	Contact, compressor	135.82	152.12
23	473160	Terminal block 8 POS	17.29	19.36
24	473068	Adapter, male, Model No. 400, 600, 800	7.11	7.96
24	473069	Adapter, male, Model No. 1000, 1000R, CHILLR	21.34	23.90
25	473116	Quest nut, ASM ¼ NPT, Model No. 400, 600	22.59	25.30

Item	Part No.	Description	US List	Can. List
25	473117	Quest nut, ASM ¼ NPT, Model No. 800, 1000, 1000R, CHILLR	14.23	15.94
26	473216	Thermostat, Model No. 400, 600, 800, 1000	312.77	350.30
26	473221	Thermostat, Model No. 1000R	318.35	356.55
27	473294	Bolt, 5/16-18 x 1.75 in. SS	1.00	1.12
28	473059	Bypass assembly with check valve	138.89	155.56
29	473051	Water coil assembly, Model No. 400, 600	1606.33	1799.09
29	473052	Water coil assembly, Model No. 800, 1000, 1000R, CHILLR	1817.81	2035.95
30	473295	Washer, fender	1.00	1.12
31	473026	Compressor isolation kit	17.12	19.17
32	473144	Orifice, reversible, Model No. 1000R	40.20	45.02
32	473145	Orifice, reversible, Model No. 400, 600, 800, 1000, CHILLR	40.22	45.05
33	473181	Switch, 3 position toggle	60.45	67.70
<b>NOT SHOWN</b>				
	473135	Valve, reversing, Model No. 1000R	694.44	777.77
	473168	Wire harness electrical	51.01	57.13
	473169	Wire harness, Trane compressor	72.32	81.00
	473172	Switch 500/ 380 hi-pressure	89.88	100.67
	473175	Switch 90/120 lo-pressure, Model No. 400, 600, 800, 1000	89.88	100.67
	473176	Switch 40/80 lo-pressure, Model No. 1000R, CHILLR	89.88	100.67
	155187	Switch toggle double insulated, Model No. CHILLR	16.97	19.01
	473381	Union nuts - 2 in.	21.99	24.63
	473035	RotoLock Hi Side with Gasket	71.14	79.68
	473034	RotoLock Lo Side with Gasket	71.14	79.68

