



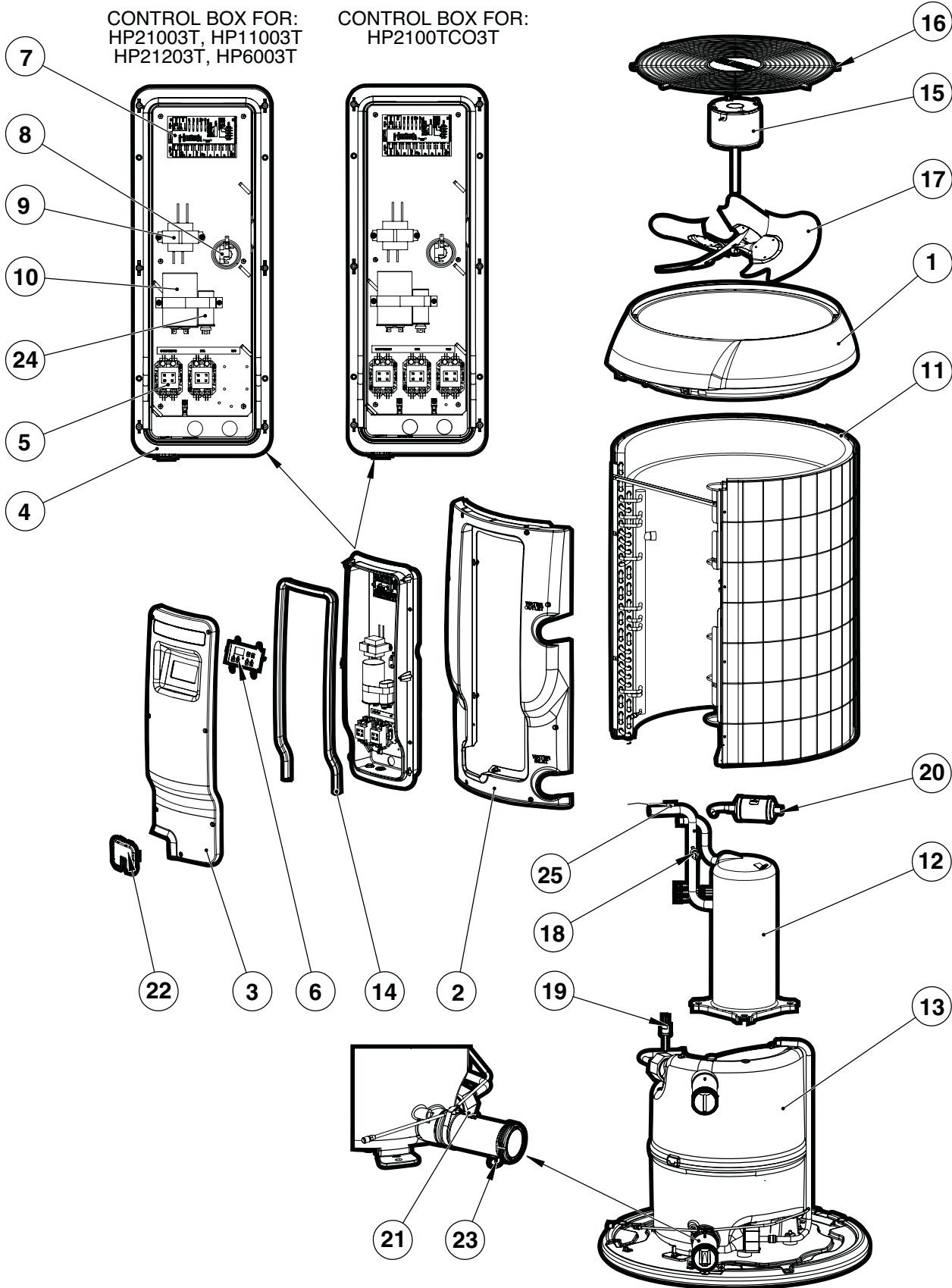
HeatPro™

HEAT PUMP REPLACEMENT PARTS

Parts Diagram: HP6003T, HP11003T, HP21003T, HP21203T, HP2100TCO3T

CONTROL BOX FOR:
HP21003T, HP11003T
HP21203T, HP6003T

CONTROL BOX FOR:
HP2100TCO3T



Heaters

Parts Listing: HP6003T, HP11003T, HP21003T, HP21203T, HP2100TC03T

Ref. No.	Part No.	Description	Ref. No.	Part No.	Description
1	HPX01023502	Fan Top	14	HPX05023549	Cover Gasket
2	HPX01023503	Side Panel	15	HPX11023564	Fan Motor, 1/3 H.P.
3	HPX01023504	Control Box Cover	16	HPX01023561	Fan Guard
4	HPX01023505	Control Box	17	HPX15023562	Fan Blade
5	HPX1985	Contactora	18	HPX2186	Replacement HP Switch
6	HPX26024138	Control Board Assembly for HP21003T	19	HPX2179	Replacement LP Switch
6	HPX26024139	Control Board Assembly for HP21203T, HP21003T and HP6003T	20	HPX15024023	Expansion Valve Assembly for HP21203T, HP21003T, HP2100TC03T, and HP11003T
6	HPX26024140	Control Board Assembly for HP2100TC03T	20	HPX15024026	Expansion Valve Assembly for HP6003T
7	HPX11024130	Interface Board	21	HPX2169	Temperature Sensor
8	HPX2181	Water Pressure Switch	22	HPX01023760	Electrical Entry Plug
9	HPX11023693	Transformer	23	SPX4000FG	Drain Plug
10	HPX11024154	Capacitor for HP21003T, HP2100TC03T, HP11003T and HP6003T	24	HPX11024151	Fan Run Capacitor
10	HPX11025155	Capacitor for HP21203T	25	HPX11024169	Defrost Sensor
11	HPX24023929	Bent Coil with Guard			NOT SHOWN:
12	HPX11023911	Compressor for HP21203T		HPX10023517	HPC Cable
12	HPX11024170	Compressor for HP21003T, HP2100TC03T and HP11003T		HPX02024108	Compressor Blanket
12	HPX11024077	Compressor for HP6003T		HPXSCRKIT1	Screw Replacement Kit
13	HPX24023941	Condenser		HPX0054	Compressor Mount Kit
				HPX2223	Compressor Electrical Plug



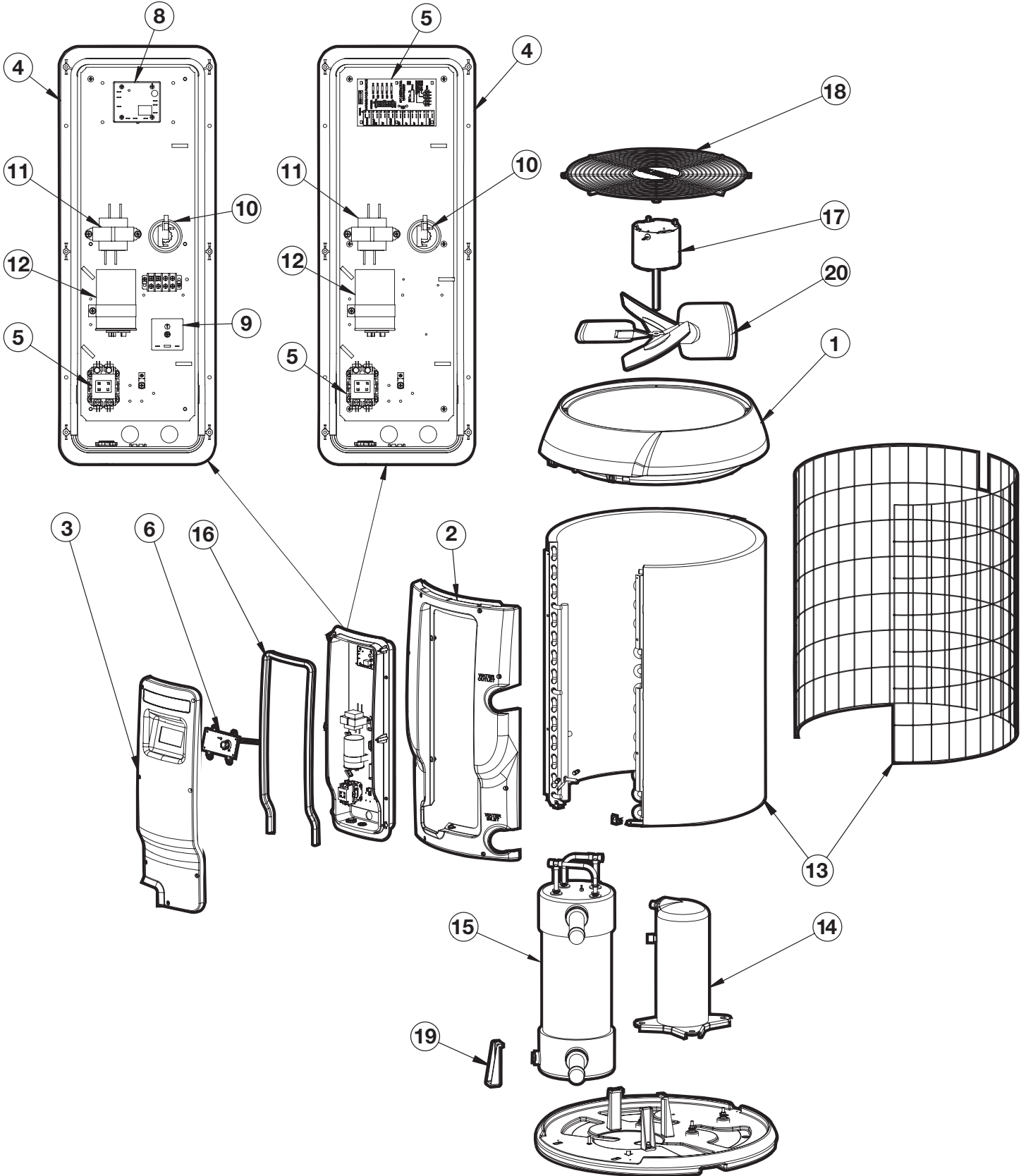
HeatPro™

HEAT PUMP REPLACEMENT PARTS

Parts Diagram: HP21002, HP2100TC02, HP21002C, HP11002, HP6002

Analog Thermostat

Digital Thermostat



Heaters

Parts Diagram: HP21002, HP2100TC02, HP21002C, HP11002, HP6002

Ref. No.	Part No.	Description	List Price
1	HPX01023502	Fan Top	\$70.21
2	HPX01023503	Side Panel	42.27
3	HPX01023504	Electrical Box Cover	53.36
4	HPX01023505	Control Box	72.50
5	HPX1985	Contactora	45.34
6	HPX26023631	Control Board Assembly – HP21002,02C, HP6002	158.57
	HPX26023632	Control Board Assembly – HP2100TC02	176.79
	HPX26023633	Control Board Assembly – HP11002	78.83
7	HPX11023509	Interface Board	26.08
8	HPX2134	Potted T'Stat Board – HP11002	90.58
9	HPX1483	Time Delay Relay – HP1102	36.39
10	HPX2181	Water Pressure Switch	38.16
11	HPX11023693	Transformer	25.36
12	HPX2040	Capacitor	42.28
	HPX11023542	Capacitor – HP6002	27.49
13	HPX24023528	Bent Coil with Guard	1,163.98
	HPX24023548	Bent Coil with Guard – HP6002	1,005.08
14	HPX1916	Compressor	2,019.18
	HPX1960	Compressor – HP6002	1,295.30
15	HPX24023619	Condenser	1,314.84
	HPX24023730*	Condenser – HP21002C	1,290.33
16	HPX05023549	Cover Gasket	5.86
17	HPX11023564	Fan Motor	190.71
18	HPX01023561	Fan Guard	38.76
19	HPX01023515	Condenser Bracket (Set of 4)	25.49
20	HPX15023562	Fan Blade	44.31

NOT PICTURED

—	HPX10023517	HPC Cable – HP21002, 02C, 2100TC02, HP6002	\$19.74
—	HPX2001	Bulb Well	10.35
—	HPX2179	Replacement LP Switch	47.40
—	HPX2186	Replacement HP Switch	47.40
—	HPX15023570	Expansion Valve Assembly – HP21002, 02C, 2100TC02, 11002	123.36
—	HPX15023600	Expansion Valve Assembly – HP6002	146.01
—	HPX15023676	Defrost Valve – HP21002C Only	146.35
—	HPX2169	Temperature Sensor	25.12
—	HPX0054	Compressor Mount Kit	11.69
—	HPX2223	Compressor Electric Plug	18.80
—	HPXFUSE1A	Kit – Fuse, 1 Amp (5 Pack)	13.77

*Use part HPX24023730 on HP21002C built prior to S/N 21120509001694001.

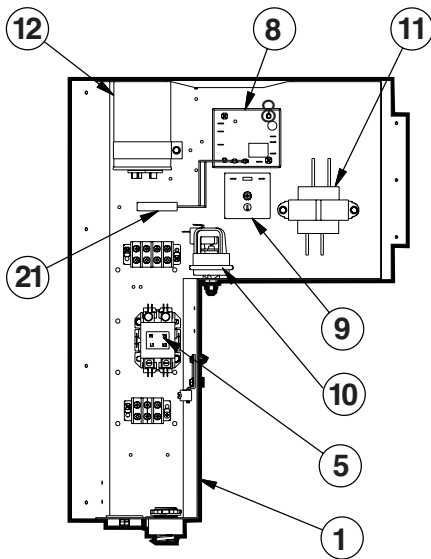


HeatPro™

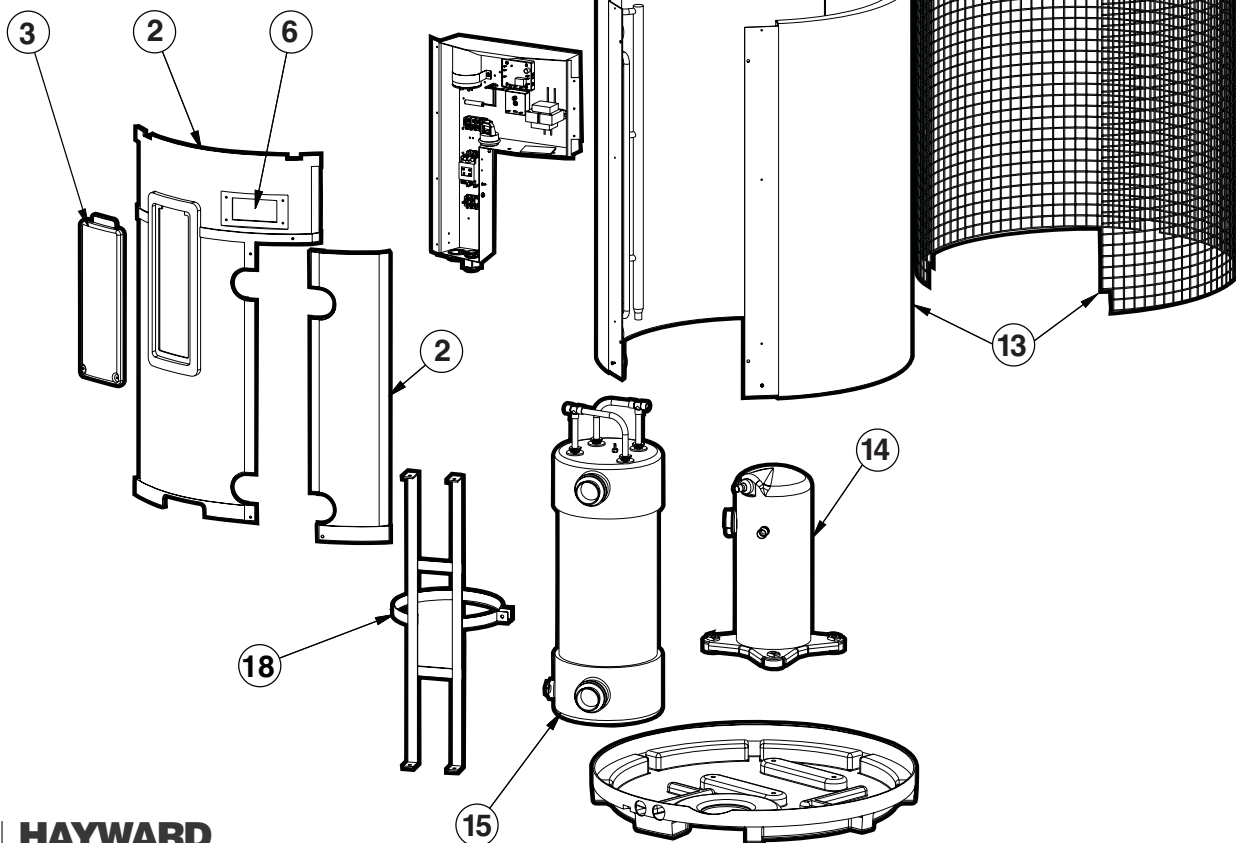
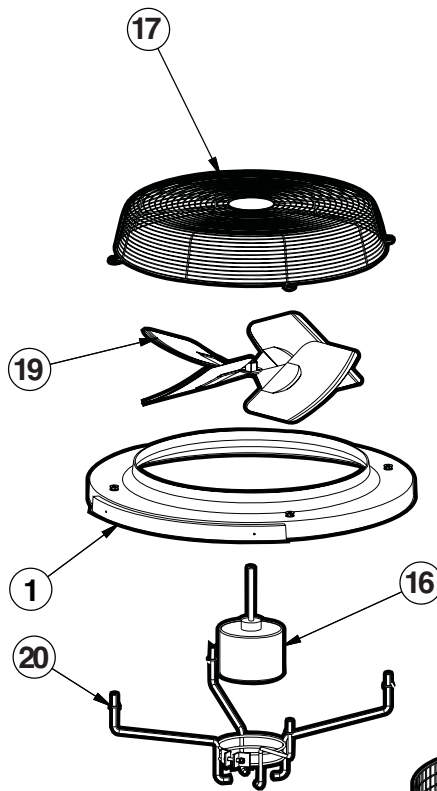
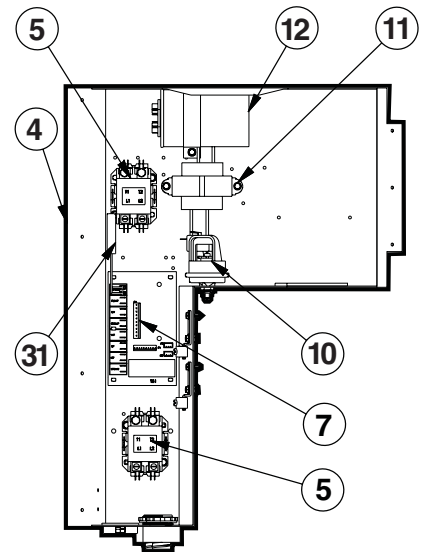
HEAT PUMP REPLACEMENT PARTS

Parts Listing: HP2100, HP2100TCO, PE52AGTCO, HP1100, PE52A, HP600, PE42B2S, HPABGDELUXE

Analog Thermostat



Digital Thermostat



Heaters

Parts Listing: HP2100, HP2100TCO, HP1100, HP600, HPABGDELUXE

Ref. No.	Part No.	Description	List Price
1	HPX2327	Fan Top	\$199.61
2	HPX2329	Side Panels – HP2100, HP2100TCO, HP1100, HP600, HPABGDELUXE	161.51
	HPX2330	Right Front Panel Taupe	161.51
3	HPX2331	Electrical Box Cover	N.L.A.
4	HPX2294	Control Box	Discont'd
5	HPX1985	Contactora	45.34
6	HPXCTLKIT1	Control Board Assembly – HP2100	198.61
	HPX2289	Control Board Assembly – HP2100TCO	744.41
	HPX26023633	Control Board Assembly – HP1100,HP600, HPABGDELUXE	78.82
7	HPX2227	Interface Board – HP2100, HP2100TCO	61.93
8	HPX2134	Potted T'Stat Board – HP1100 HP600, HPABGDELUXE	90.58
9	HPX1483	Time Delay Relay – HP1100, HP600, HPABGDELUXE	36.39
10	HPX2181	Water Pressure Switch	38.16
11	HPX11023693	Transformer	25.36
12	HPX2040	Capacitor	42.28
	HPX11023542	Capacitor – HP600, HPABGDELUXE	27.49
13	HPX1448ALT	Bent Coil with Guard	Discont'd
14	HPX1916	Compressor	2,019.18
	HPX1960	Compressor – HP600, HPABGDELUXE	1,295.30
15	HPX24023619	Condenser	1,314.84
16*	HPX11031134*	Fan Motor	177.49
17	HPX0970	Fan Guard	94.53
18	HPX2297	Condenser Bracket	36.04
19	HPX689	Fan Blade	60.80
20	HPX1140	Fan Mounting Bracket	38.69
21	HPX2169	Temperature Sensor	25.12

NOT PICTURED

—	HPX2229	Cover Gasket	\$5.72
—	HPX2268	Wiring Harness PST, HP2100	83.85
—	HPX2235	Wiring Harness PST, HP2100TCO	76.60
—	HPX2001	Bulb Well	10.35
—	HPX2179	Replacement LP Switch	47.40
—	HPX2186	Replacement HP Switch	47.40
—	HPX15023570	Expansion Valve Assembly	123.36
—	HPX15023600	Expansion Valve Assembly – HP600 HPABGDELUXE	146.01
—	HPX2261A	Tie-Down Kit	N.L.A.
—	HPX2169	Temperature Sensor	25.12
—	HPX0054	Compressor Mount Kit	11.69
—	HPX2223	Compressor Electric Plug	18.80

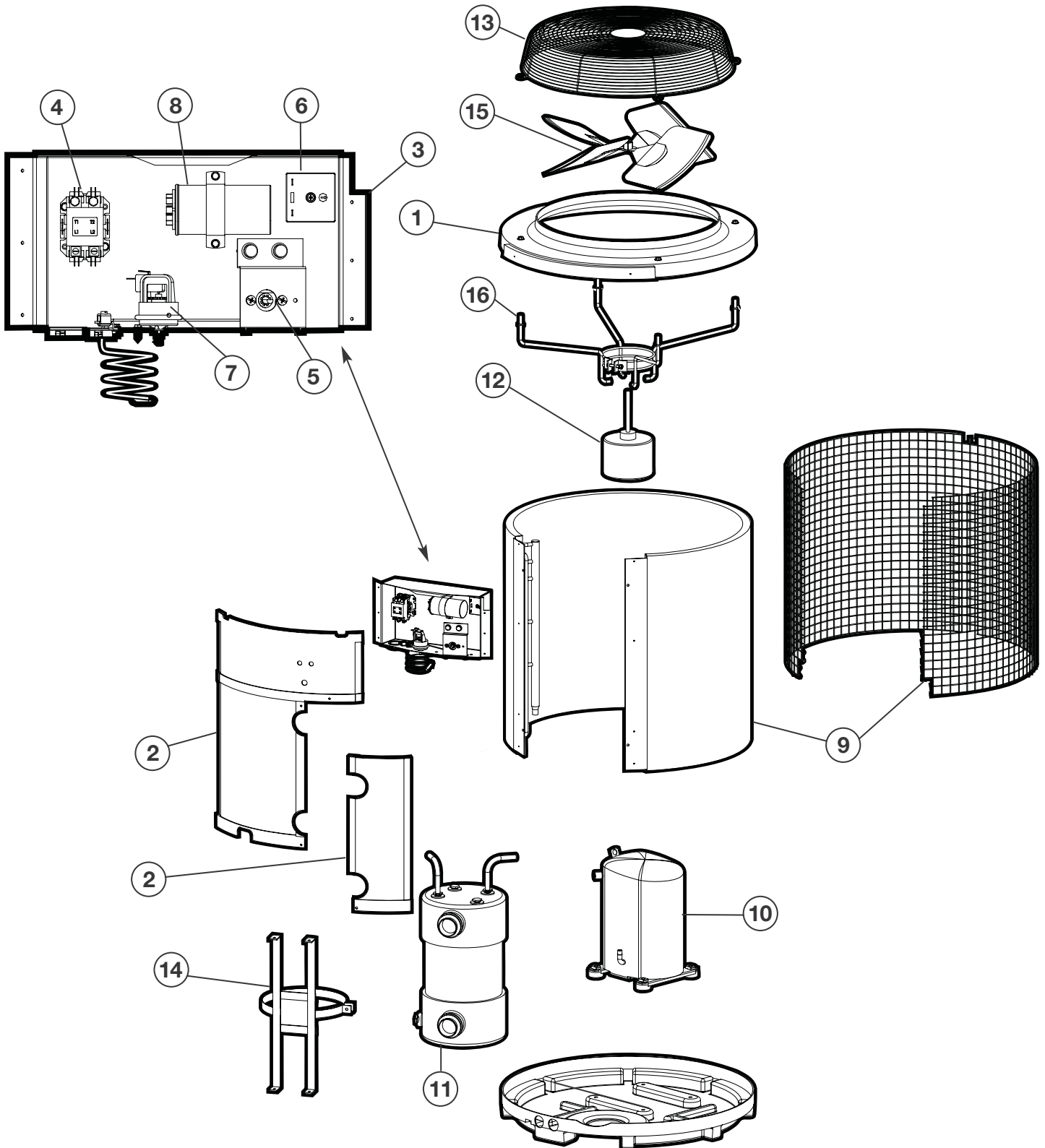
*Use part HPX1103113440 on units HP600, HPABDELUXE built prior to S/N 21120502006396001.

Heaters



Parts Listing: HP380, HPAB6

Heaters



Parts Listing: HP380, HPABG

Ref. No.	Part No.	Description	List Price
1	HPX2327	Fan Top	\$199.61
2	HPX2427H	Side Panel – HP380	N.L.A.
	HPX2428H	Side Panel – HPABG	N.L.A.
3	HPX2416	Control Box	Discont'd
4	HPX1811	Contactora	45.34
5	HPX1105	Thermostat	69.93
6	HPX1483	Time Delay Relay	36.39
7	HPX2181	Water Pressure Switch	38.16
8	HPX11023543	Capacitor	25.94
9	HPX2088	Bent Coil with Guard	Discont'd
10	HPX2417	Compressor	1,027.17
11	HPX2423	Condenser	996.02
12*	HPX11031134*	Fan Motor	177.49
13	HPX0970	Fan Guard	94.53
14	HPX2415	Condenser Bracket	47.57
15	HPX689	Fan Blade	60.80
16	HPX1140	Fan Mounting Bracket	38.69
NOT PICTURED			
—	HPX2001	Bulb Well	\$10.35
—	HPX2179	Replacement LP Switch	47.40
—	HPX2186	Replacement HP Switch	47.40
—	HPX15031135	Expansion Valve Assembly	142.24
—	HPX2261A	Tie-Down Kit	N.L.A.
—	HPX0054	Compressor Mount Kit	11.69
—	HPX01023727	Knob for HPX1105 Thermostat	9.23
—	HPX05023549	Cover Gasket	5.86

* Use part HPX1103113435 on units HP380 and HPAB built prior to S/N 21120501007121001.

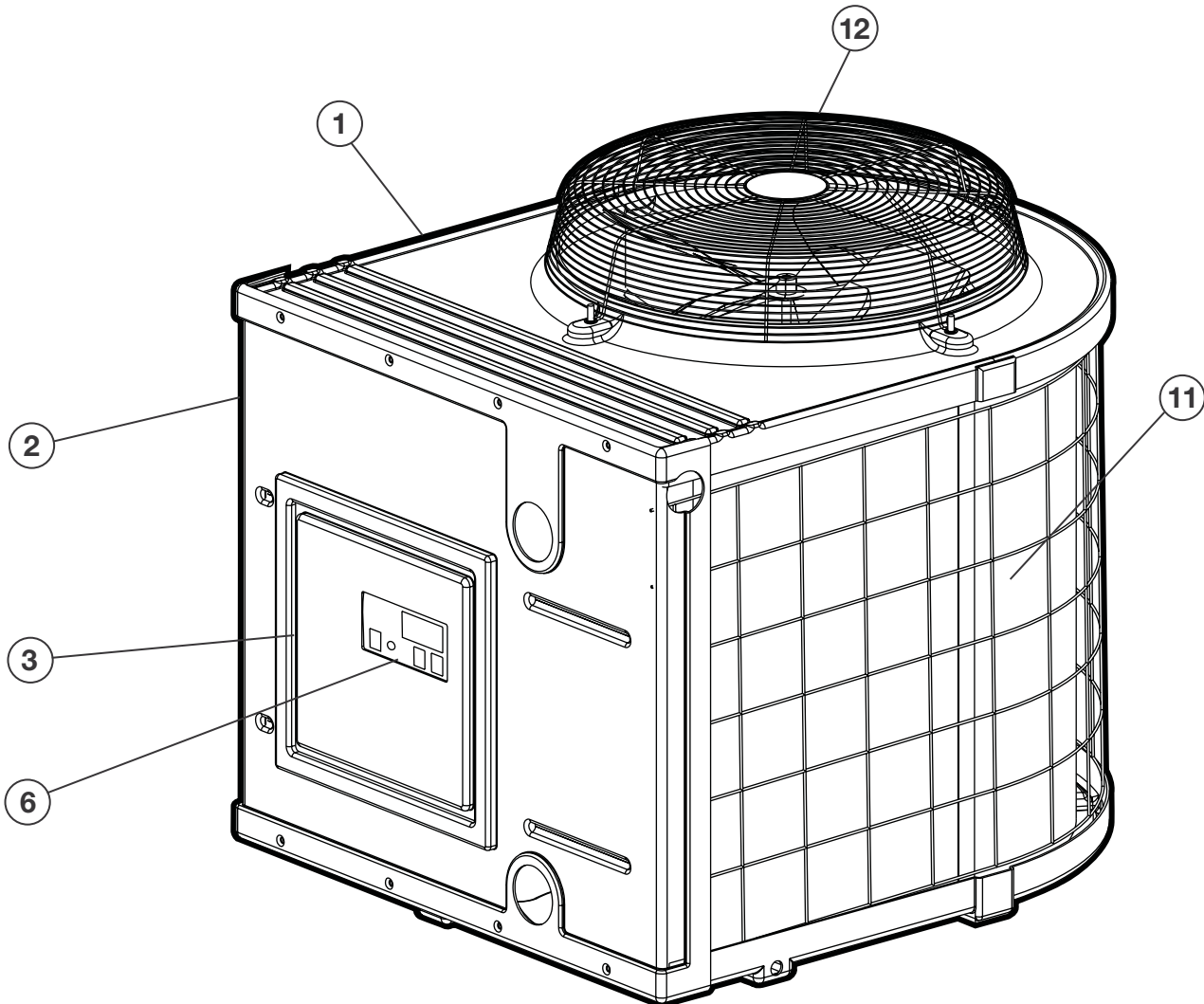
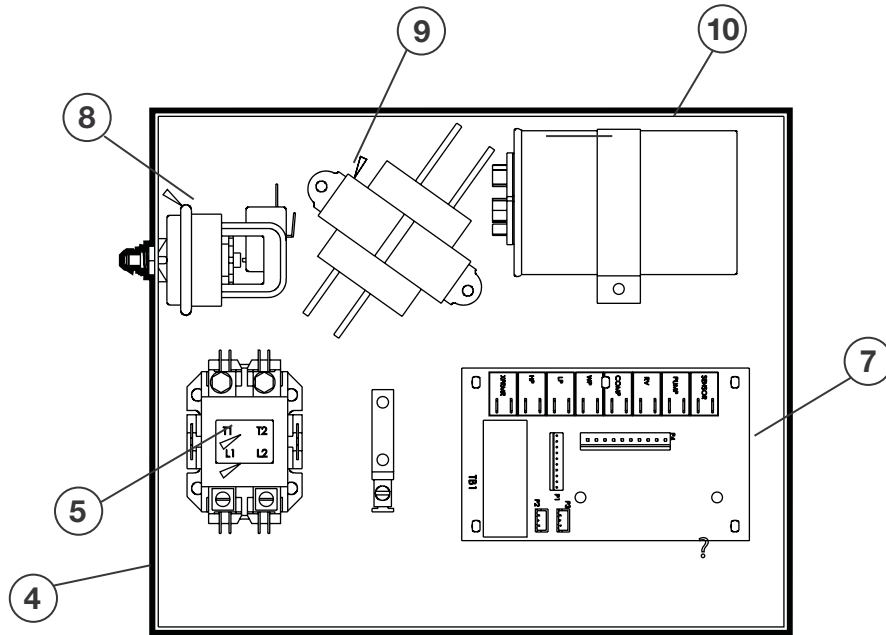


HeatPro™

HEAT PUMP REPLACEMENT PARTS

Parts Diagram: HP5, H/C, HP3100

Heaters





Parts Listing: HP5, H/C, HP3100

Ref. No.	Part No.	Description	List Price
1	HPX1982	Fan Top	\$284.94
2	HPX1981	Side Panel	146.43
3	HPX1997	Electrical Box Cover	58.37
4	HPX2247	Control Box Assembly	1,012.32
5	HPX1985	Contactora	45.34
6	HPX2290	Control Board Assembly	816.77
7	HPX2227	Interface Board	61.93
8	HPX2181	Water Pressure Switch	38.16
9	HPX2135	Transformer	34.32
10	HPX2040	Capacitor	48.28
11	HPX1986	Bent Coil with Guard	Discont'd
12	HPX0970	Fan Guard	94.53

NOT PICTURED

—	HPX1916	Compressor	\$2,019.18
—	HPX2092-H/C	Condenser	1,790.50
—	HPX2268	Wiring Harness PST	83.85
—	HPX11031134	Fan Motor	177.49
—	HPX1437	Fan Blade	66.39
—	HPX1987	Fan Mounting Bracket	58.37
—	HPX2001	Bulb Well	10.35
—	HPX2179	Replacement LP Switch	47.40
—	HPX2186	Replacement HP Switch	47.40
—	HPX2412	Reversing Valve Assembly*	958.06
—	HPX2262A	Tie-Down Kit	Discont'd
—	HPX2169	Temperature Sensor	25.12
—	HPX0054	Compressor Mount Kit	11.69
—	HPX2223	Compressor Electric Plug	18.80
—	HPXFUSE1A	Kit – Fuse, 1 Amp (5 Pack)	13.77

*Reversing valve assembly includes TXV assembly.