

#1 NICHELESS LED  
LIGHTING MANUFACTURER

**S.A.V.I**<sup>®</sup>  
POOL AND SPA  
A Division of Next Step Products

**COM PRO** The Brightest White Replacement Light in the Industry



**MEETS OR EXCEEDS COMMERCIAL POOL STANDARDS**  
**3400 LUMENS – NO ONE ELSE COMES CLOSE**

Brightest White Light LED and for 2012  
it's also **DIMMABLE!!**



Com Pro fits most industry  
standard pool housings  
(not included)

Designed and Made in the USA  
KEEPING AMERICA WORKING



# COMMERCIAL RATED WHITE LED LIGHT 3400 Lumens



**BRIGHTEST OF THE BRIGHT**

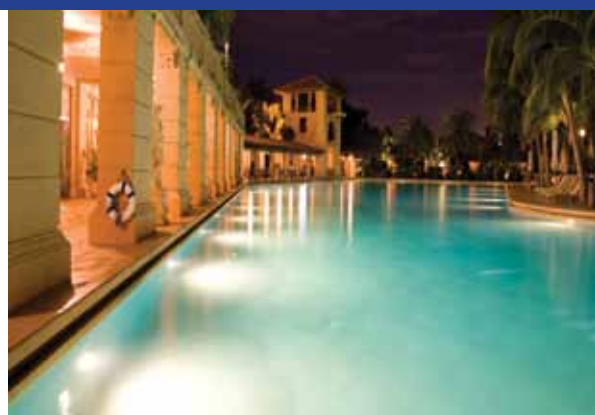
Here's a comparison

## WE'RE OFF THE CHART

• 300 Watt Incandescent	2092 Lumens	Watts 273
• 400 Watt Incandescent	3201 Lumens	Watts 406.4
• 500 Watt Incandescent	4573 Lumens	Watts 472.4
• Competitor Replacement Bulb	1917 Lumens	Watts 49.4
• Competitor Whole Light A	2353 Lumens	Watts 42.1
• Competitor Whole Light B	2732 Lumens	Watts 52.2
• Competitor Whole Light C	3039 Lumens	Watts 67.4

Data Source available upon request

- **COM PRO REPLACEMENT LAMP 3400 Lumens Watts 35**  
**MOST LIGHT - LOWEST WATT - LOWEST OPERATING COST**



### FEATURES & BENEFITS

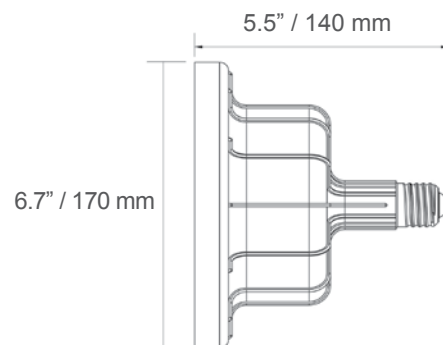
- Reduce service cycles
- Reduce Energy Consumption
- Up to 50,000 hrs lamp life
- 120V & 12V Models Available
- **DIMMABLE LIGHTING!!!**
- Direct Incandescent Replacement
- Screw In Edison Base
- 5000 Kelvin for improved visibility
- White Light Only

### ELECTRICAL SPECIFICATIONS:

- 120V = 35 Watts, .3 Amps
- 12V = 35 Watts, 2.91 Amps

### PART NUMBERS:

- 120V..... **ComPro-12V**
- 12V..... **Com Pro-120V**



Com Pro fits most industry standard pool housings (not included)

