



# Prowler™ 720 and 730

## Robotic Inground Pool Cleaners



## Installation and User's Guide

IMPORTANT SAFETY INSTRUCTIONS  
*READ AND FOLLOW ALL INSTRUCTIONS*  
SAVE THESE INSTRUCTIONS

## Customer Service

If you have questions about ordering Pentair replacement parts, and pool products, please use the following contact information:

### **Customer Service** (8 A.M. to 5 P.M. — Eastern and Pacific Times)

Phone: (800) 831-7133

Fax: (800) 284-4151

### **Technical Support**

#### **Sanford, North Carolina** (8 A.M. to 5 P.M. — Eastern Time)

Phone: (919) 566-8000

Fax: (919) 566-8920

#### **Moorpark, California** (8 A.M. to 5 P.M. — Pacific Time)

Phone: (805) 553-5000 (Ext. 6312)

Fax: (805) 553-5502

### **Web site**

visit [www.pentairpool.com](http://www.pentairpool.com) or [www.staritepool.com](http://www.staritepool.com) to find information about Pentair products

© 2006 Pentair Water Pool and Spa, Inc. All rights reserved.

This document is subject to change without notice.

1620 Hawkins Ave., Sanford, NC 27330 • (919) 566-8000

10951 West Los Angeles Ave., Moorpark, CA 93021 • (805) 553-5000

**Trademarks and Disclaimers:** Prowler and the *Pentair Water Pool and Spa logo* are trademarks of Pentair Water Pool and Spa, Inc. Other trademarks and trade names may be used in this document to refer to either the entities claiming the marks and names or their products. Pentair Water Pool and Spa, Inc. disclaims any proprietary interest in trademarks and trade names other than its own.

# Contents

---

Important Safety Precautions .....	ii
<b>Section 1: Introduction .....</b>	<b>1</b>
Prowler™ 720 and 730 Overview .....	1
Prowler™ 720 and 730 Features .....	2
<b>Section 2: Installation .....</b>	<b>3</b>
Cleaner Components .....	3
Operating the Prowler™ 720 and 730 Cleaner .....	4
Technical Data .....	4
Cleaner Placement .....	5
Power Supply Set-Up .....	6
Wireless Remote Control .....	7
Using the Radio Remote Control Feature .....	7
Remote Control Cleaning Modes .....	7
Replacing the Remote Control Battery .....	8
<b>Section 3: Maintenance .....</b>	<b>9</b>
Changing/Cleaning the Filter Bag .....	9
Changing the Drive Belts .....	10
Changing Brushes .....	10
Cable Care .....	11
Important Maintenance Tips .....	11
In/Off-Season Storage .....	11
<b>Section 4: Replacement Parts .....</b>	<b>12</b>
Prowler™ 720 Exploded View .....	12
Prowler™ 720 Replacement Parts List .....	13
Prowler™ 730 Exploded View .....	14
Prowler™ 730 Replacement Parts List .....	15

## IMPORTANT SAFETY PRECAUTIONS



### Important Notice:

**Attention Installer:** This guide contains important information about the installation, operation and safe use of this product. This information should be given to the owner and/or operator of this equipment after installation of the pool cleaner.

**Attention User:** This manual contains important information that will help you in operating and maintaining this pool cleaner. Please retain it for future reference. Consult Pentair Water with any questions regarding this equipment.

**⚠ WARNING** — Before installing this product, read and follow all warning notices and instructions which are included. Failure to follow safety warnings and instructions can result in severe injury, death, or property damage. Call (800) 831-7133 for additional free copies of these instructions.

### Consumer Information and Safety

The Prowler™ 720 and 730 pool cleaners are designed and manufactured to provide many years of safe and reliable service when installed, operated and maintained according to the information in this manual. Throughout the manual, safety warnings and cautions are identified by the “⚠” symbol. Be sure to read and comply with all of the warnings and cautions.

**⚠ DANGER** — **Risk of electrical shock or electrocution.**



The electrical supply to this product must be installed in accordance with the National Electrical Code and all applicable local codes and ordinances. Improper installation will create an electrical hazard which could result in death or serious injury to pool or spa users, installers, or others due to electrical shock, and may also cause damage to property.

Always disconnect the power to the cleaner before servicing. Failure to do so could result in death or serious injury to serviceman, pool users or others due to electrical shock. Read and follow the specific instructions inside this guide.

**⚠ WARNING** — Hazardous suction. Do not play with cleaner or cable or apply to body. Can trap and tear hair or body parts. Cable can trip or entangle swimmers which could result in drowning.

**⚠ WARNING** — Do not allow swimmers in the pool while pool cleaner is operating. Cable can trip or entangle swimmers which could result in drowning.

**⚠ WARNING** — To reduce the risk of injury, do not let children use or play with pool cleaner.

**⚠ CAUTION** — Before installing the cleaner in a gunite pool or a pool that is partially or completely tiled, repair loose tiles and tighten any loose light rings.

**⚠ CAUTION** — Before installing the cleaner, understand cleaner coverage: The cleaner was not designed to automatically clean steps or to work under a solar cover. It was also not designed to do initial cleanup for a new pool installation.

**⚠ CAUTION** — The unit must be supplied through a residual current device (RCD) having a rated operating current not exceeding 30mA.

- The connection to the branch circuit should be consistent with the local and National Electrical Code.
- Mishandling the unit can result in leakage of lubricants.
- If the supply cord is damaged, it must be replaced by a licensed or certified electrician or a qualified pool serviceman in order to avoid hazards.

---

# Section 1

## Introduction

### The Prowler™ 720 and 730 Overview

#### *Vacuums what you can see, filters what you can't...*

Prowler™ 720 and 730 are the computer-controlled, programmed cleaners that scrub and vacuum your pool's bottom, walls and steps and provides supplemental filtration of pool water.

#### *Powerful, efficient, and smart!*

The Prowler™ 720 and 730 features the patented Aqua Smart System. This intelligent program enables the cleaner to fully cover and efficiently clean any standard residential swimming pool in approximately one hour (90 minutes for larger residential pools). The high-speed drive motor propels the unit across pool surfaces while a high-efficiency pump motor delivers thorough, economical cleaning performance.

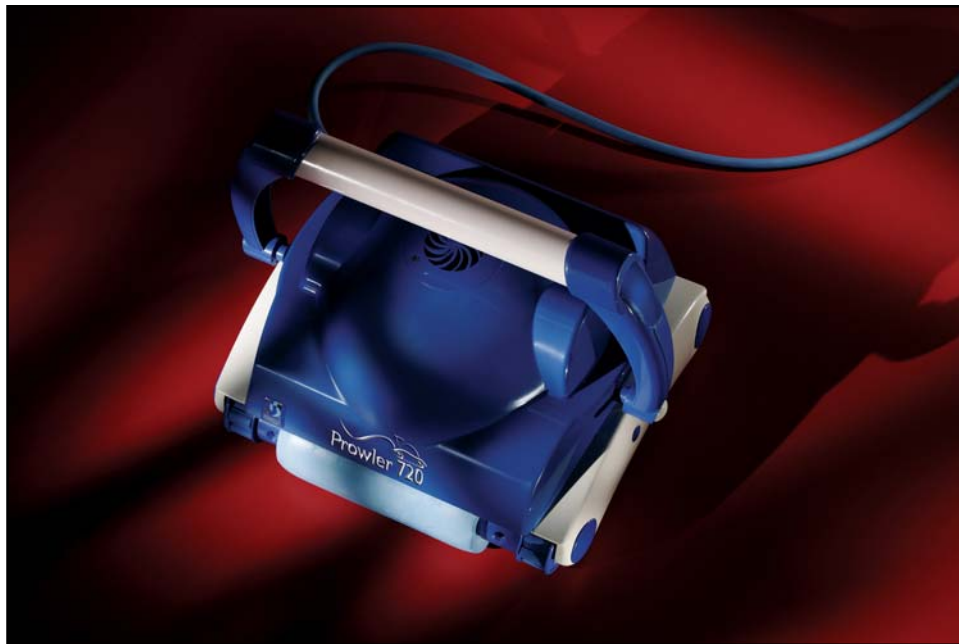
Totally independent of your pool circulation system, the Prowler™ 720 and 730 provide on-demand cleaning without running pumps. It requires no installation, no booster pump, no hoses. Just plug it in and place it in your pool...it's a totally self-contained cleaning and filtration system.

#### *Two-way cleaning with remote control convenience*

The Prowler 730™ Remote Control provides the ultimate in automatic pool cleaning convenience. The wireless radio remote control system provides two automatic cleaning options – one for the pool bottom and a second for the bottom and sides. Remote control functions allow you to override the automatic cleaning modes to perform quick spot clean-ups. Simply guide the cleaner to any area of the pool with the touch of a button.

#### *No other cleaner is so simple.*

No other cleaner provides such a complete cleaning job at such a low operating cost.



Prowler™ 720

## General Features

Two-way cleaning performance:

- Powerful vacuum action removes fine particles and larger debris.
- Integrated filtration system captures dirt and debris in handy collection bag.
- Integrated filter reduces run time of your primary filtration system by 25% to save on pump energy use and normal wear and tear.
- Works fast; thoroughly scrubs and vacuums pools up to 20 x 50 feet in just 60–90 minutes.
- Auto-reverse feature prevents hang-ups in corners and by steps and ladders for uninterrupted service.
- Cleans all pool surfaces: gunite, vinyl, fiberglass and tile.

## Additional Features:

Time and energy-saving features:

- Reduces your filtration system's run time.
- Removes algae and bacteria.
- Vacuums all types of debris.
- Cleans and scrubs most pool steps.
- Built-in filtration system with reusable filter bag.
- Cleans any size, shape and type of standard residential pool in only one hour.
- The intelligent program enables the cleaner to fully cover and efficiently clean any standard residential swimming pool in approximately one hour (90 minutes for larger residential pools).

---

## Section 2

# Installation

The following general information describes how to install the Prowler™ 720 and 730 robotic pool cleaners. Carefully read the following so that you are fully aware of all the capabilities and features this Prowler™ cleaner has to offer.

**NOTE:** Before installing this product, read and follow all warning notices and instructions starting on page ii.

### Introducing your new Prowler™ Cleaner

Dear Customer, Congratulations! You have purchased one of the best pool cleaners that technology has to offer! Thank you for choosing the Prowler™ cleaner to clean your pool. We hope that you will enjoy using your new Prowler™ cleaner to maintain your swimming pool for years to come.

### Your Prowler™ automatic pool cleaner includes the following:

- Cleaning Unit & Cable
- Power Supply (Transformer)
- Caddy — Cart



Photo shows the Prowler™ 720 in a convenient, protective cradle for easy storage and transport, also available for the Prowler™ 730 model.

## Operating the Prowler™ 720 and 730 Cleaners

**⚠ WARNING** — Your Cleaner should not be used while people are swimming in the pool. The cable can trip or entangle swimmers which could result in drowning.

**⚠ WARNING** — **Risk of electrical shock or electrocution.**



A Ground Fault Current Interrupter (GFCI-USA) or a Residual Current Device (RCD-EUROPE) must be installed to protect your electric outlet and to prevent any possible electrical shock. Failure to do so could create an electrical hazard which could result in death or serious injury to pool or spa users, installers, or others due to electrical shock, and may also cause damage to property.

**⚠ CAUTION** — DO not switch the pool cleaner to “ON” if it is not fully immersed in water. Operating the cleaner out of water will immediately cause severe damage and will result in loss of warranty.

Allow the cleaner to remain in the pool for 15 to 20 minutes following the end of its cleaning cycle. This will allow the motors to cool adequately. Do not leave the cleaner in the pool all the time. Always remember to turn the power supply “OFF” and unplug it from the power outlet before removing the cleaner from the pool.

Prowler 720 and 730 Technical Data		
Recommended pool size	20 x 50 feet	6.1 x 15.2 meters
Volume of water filtered	4,225 gal. / hr.	16m <sup>3</sup> / hr.
Prowler 720 Floating cable length	60 feet	18 meters
Prowler 730 Floating cable length	75 feet	23 meters
Drive motor	24V DC high speed submersible	
Pump motor	24V DC high efficiency submersible	
Filter specification	Reusable 2 micron	
Electrical specification	115V / 60Hz	
Voltage in water	24V DC	

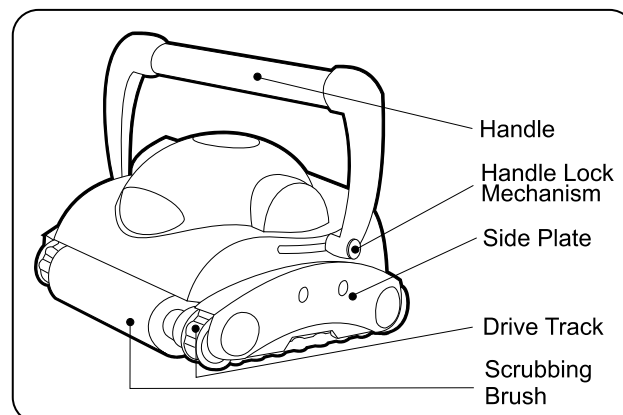


Figure 1.



## Operating the Prowler™ 720 and 730 Cleaners, cont'd.

1. Place the power supply, (transformer), at least ten feet / three meters from the pool as shown in Figure 2. The transformer will supply low voltage to the cleaner.
2. Uncoil the cable as shown in Figure 3.
3. For proper operation, lock the moveable handle diagonally across the top of the cleaner's body. Push down on the handle lock mechanism and slide the handle all the way to the end, (we recommend one slot before the end), then release the lock. The handle will remain fixed in this position. Repeat this process on the other side of the cleaner. Remember, the handle must be fixed diagonally, see Figures 4 and 5.
4. Place the unit in the water. Turn the unit side to side in the water to allow air to escape from the body and then let the cleaner sink to the bottom of the pool, see Figure 6. Then, spread the cable over the surface of the pool as evenly as possible as shown in Figure 2.
5. Plug the cable into the power supply. Make sure the key on the plug exactly corresponds with the key slot on the socket of the power supply, see Figure 7. Plug the power supply into a grounded outlet. Make sure that the electric outlet has been properly grounded, see Figure 8. The light will glow indicating that the system is "ON" and the pool cleaner will start the cleaning cycle. The unit keeps record of the number of cleaning cycles. Only an authorized service center can display the accumulated cleaning cycles. (See details on the next page.)

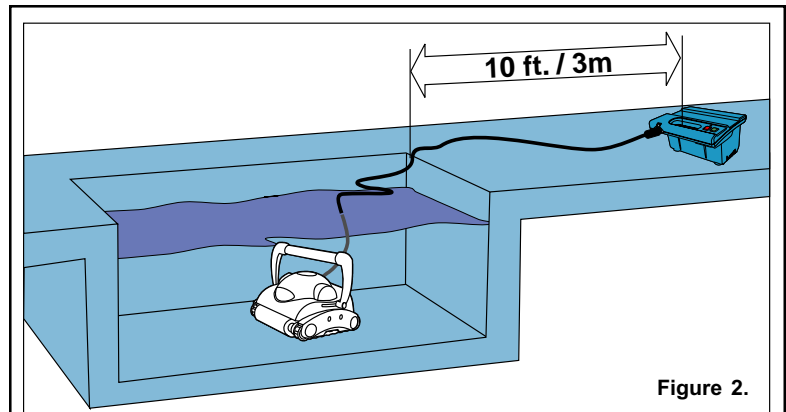


Figure 2.

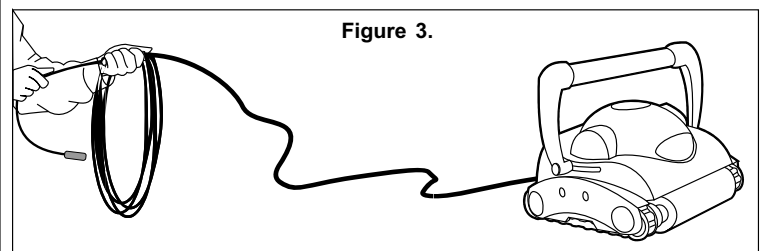
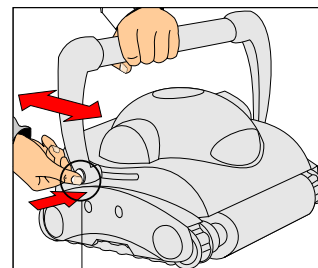


Figure 3.



Handle Lock Mechanism

Figure 5.

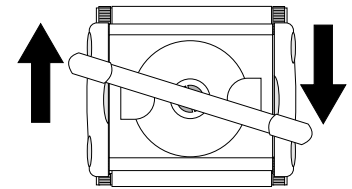


Figure 4.

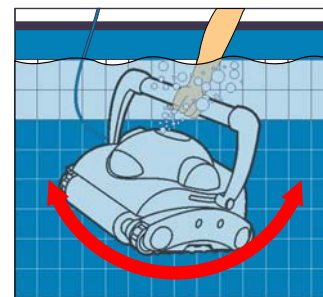


Figure 6.

Figure 7.

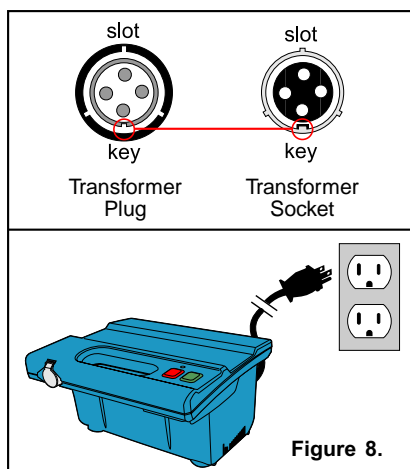


Figure 8.

## Setting Up the Standard Power Supply (Transformer)

To plug the cable into the transformer socket on the power supply, follow these steps:

1. Prepare the plug with the key and three outside slots as shown in Figure 9.
2. Fit the key and the slots from cable plug exactly with the corresponding key and slots from the transformer socket.
3. Push the plug all the way into the socket of the transformer.
4. Once the plug is in, rotate the plug to the right to lock it into place as shown in Figure 9.
5. To remove the plug, first rotate the plug to the left to unlock it, then pull it out.
6. The Power Supply (Transformer) is now ready for operation. Listed below are the Transformer buttons as shown in Figure 10:
  - a. **Green Button:** push button turns the machine "ON".
  - b. **Red Button:** push button turns the machine "OFF".

**IMPORTANT**– After every cycle, the pool cleaner will turn off automatically. In case you want to turn the machine off during the working cycle, push the **red button** once and the **indicator light** will turn off signaling that the machine has stopped running.

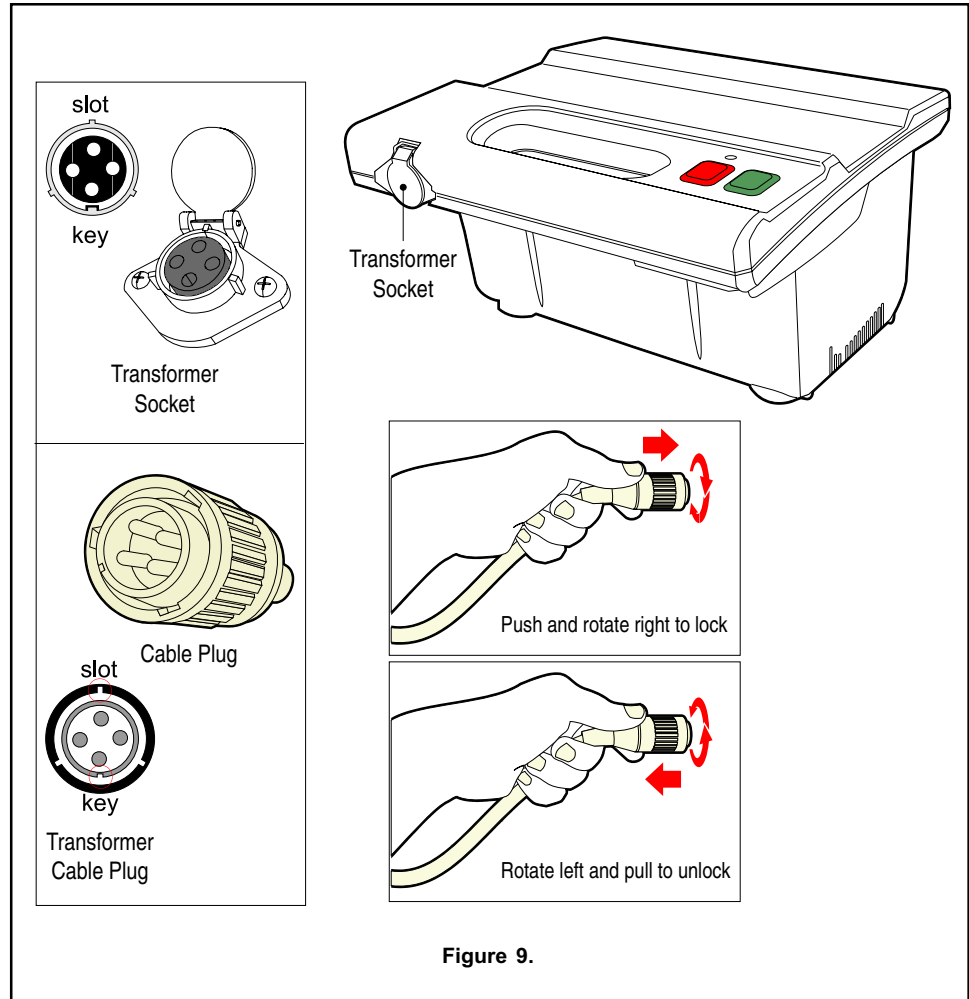


Figure 9.

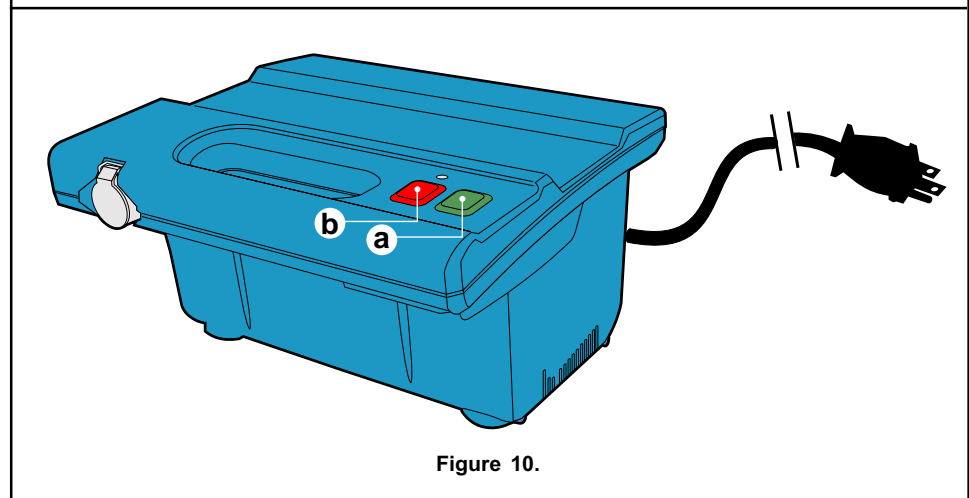


Figure 10.

*(Remember to keep the Power Supply at least 10 feet away from the pool.)*

## Wireless Remote Control - only for Prowler™ 730 cleaners equipped with Remote Control

### Using Radio Remote Control Feature and Accessing Cleaning Modes

The Remote Control Model is equipped with a multi-directional radio transmitter, see Figure 12. This feature will enable you to guide the pool cleaner directly to areas of the pool requiring additional cleaning attention or for quick clean-ups. When you press the **Right** or **Left** buttons, the cleaner will turn until the button is released. Then, the cleaner will proceed straight ahead in the new direction. Pressing the **Forward/Reverse** button will cause the cleaner to proceed in the new direction after the button has been released.

### Cleaning Modes

The Remote Control has an advanced cleaning program with two options:

**Option 1: STANDARD MODE** — this cycle is 1½ hours long and cleans the bottom of the pool only.

**Option 2: SUPER MODE** — this cycle cleans the bottom and the walls of the swimming pools. This cleaning program is 3 hours long and is registered in the cycle counter as two cycles (one for each 1.5 hours of use). Every time a cleaning cycle is complete the cleaner will stop automatically. Every remote control unit is shipped from the factory with the “Standard Mode” as the primary program.

To switch from the “Standard Mode” to the “Super Mode”, simply press the "**Program**" button once. The cleaner will immediately receive the command and will start to clean the bottom and the walls. Your signal that the cleaner is in the “Special Mode” is that the machine will climb up to the waterline in the first contact with a wall. To return to the “Standard Mode”, simply press the "**Program**" button again, **ONLY** when the machine is on the pool bottom.

**NOTE:** When the Power Supply is turned off, the Mode is automatically returned to the "Standard Mode" (floor cleaning only).

**CAUTION** — Be sure to always keep your Pentair pool cleaner properly stored anywhere between 50° to 104° Fahrenheit, (10° to 40° Celsius). This will keep the motors, plastics and seals protected. Failure to comply will result in loss of warranty.

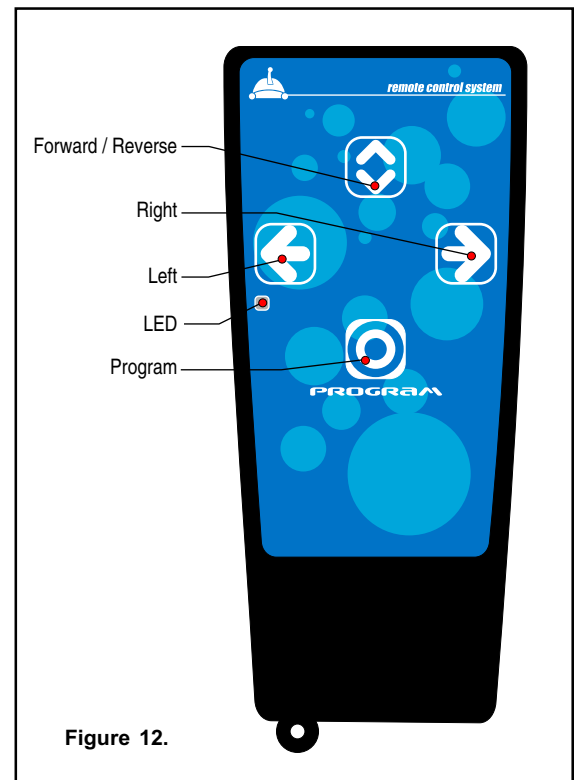


Figure 12.

## Replacing the Remote Control Battery

1. Remove the top screw (see Figure 13, Step 1).
2. Pull the top of the cover away from the transmitter and then pull upwards (Step 2).
3. Replace the battery and make sure the polarity is the same as the existing battery (Step 3).
4. Push the cover downwards into the 2 slots (Step 4).
5. Push the top of the cover towards the battery until it snaps into place (Step 5).
6. Put the screw back into place.

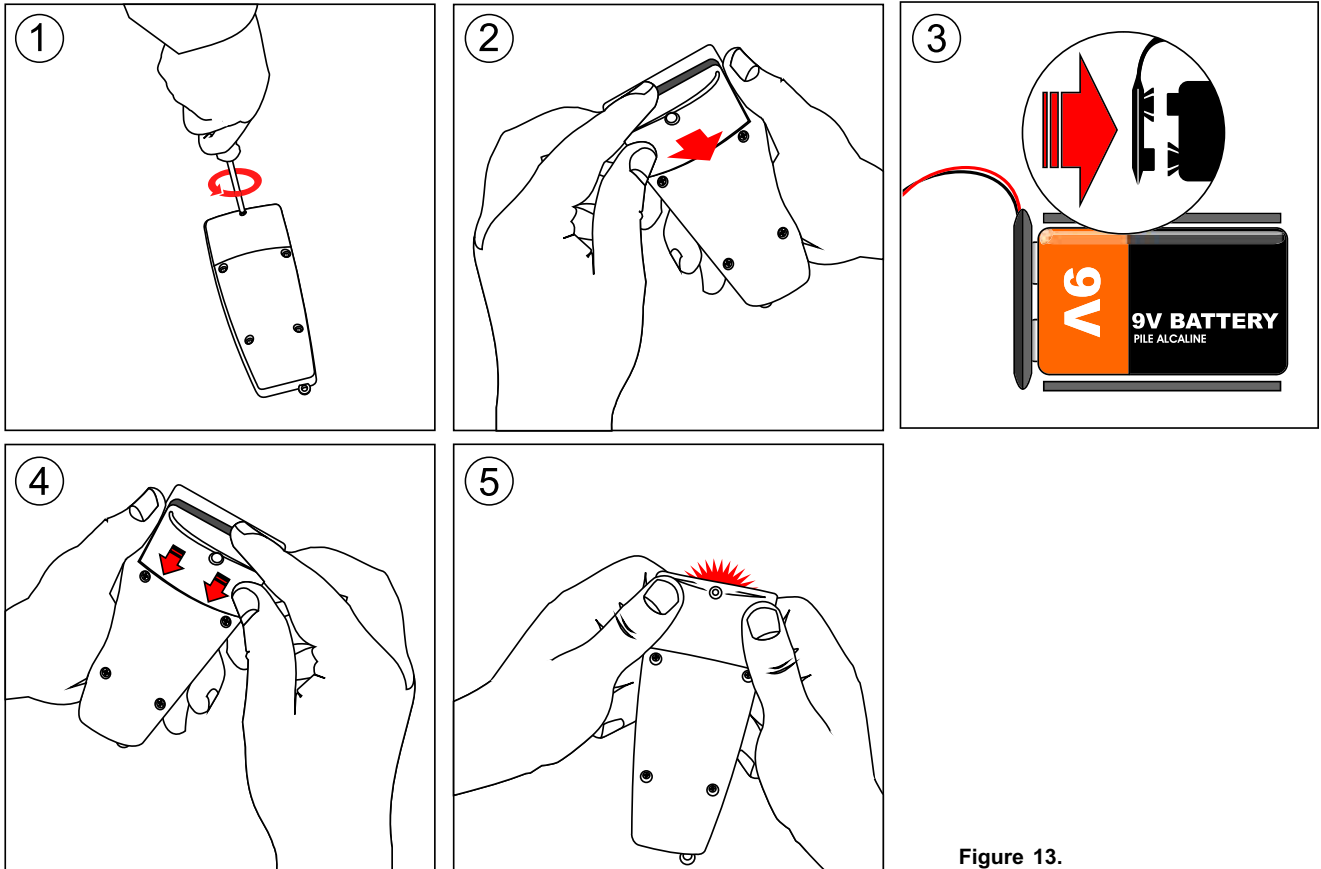


Figure 13.

## Section 3

# Maintenance

### Maintaining the Prowler™ 720 and 730 Cleaner

#### Clean the Filter Bag after every Cleaning Cycle

1. Unplug the power supply. (Keep the plug away from contact with water.)
2. If the unit is in the pool, gently pull the cleaner toward you using the cable until the handle is within reach. Use the handle (not the cable) to pull the cleaner out of the pool after allowing most of the water to drain from the unit.
3. Lay the unit on its back on a smooth surface, (in order to prevent scratches on the machine body), unlock and remove the bottom lid assembly, see Figure 14, Steps 1 - 4.
4. Remove the filter bag from the support bars, see Step 5, turn it inside out and wash off all the dirt with a garden hose or in a sink. Squeeze the bag gently until the rinse water is clear. If necessary, machine wash the bag using only cold water with **NO DETERGENT!**
5. Re-install the bag on the support bars with the **label** in the center of one of the long sides of the bottom lid, see Step 6.
6. Re-install the bottom lid assembly onto the body. Push down on it until all (4) locking tabs snap properly into place.

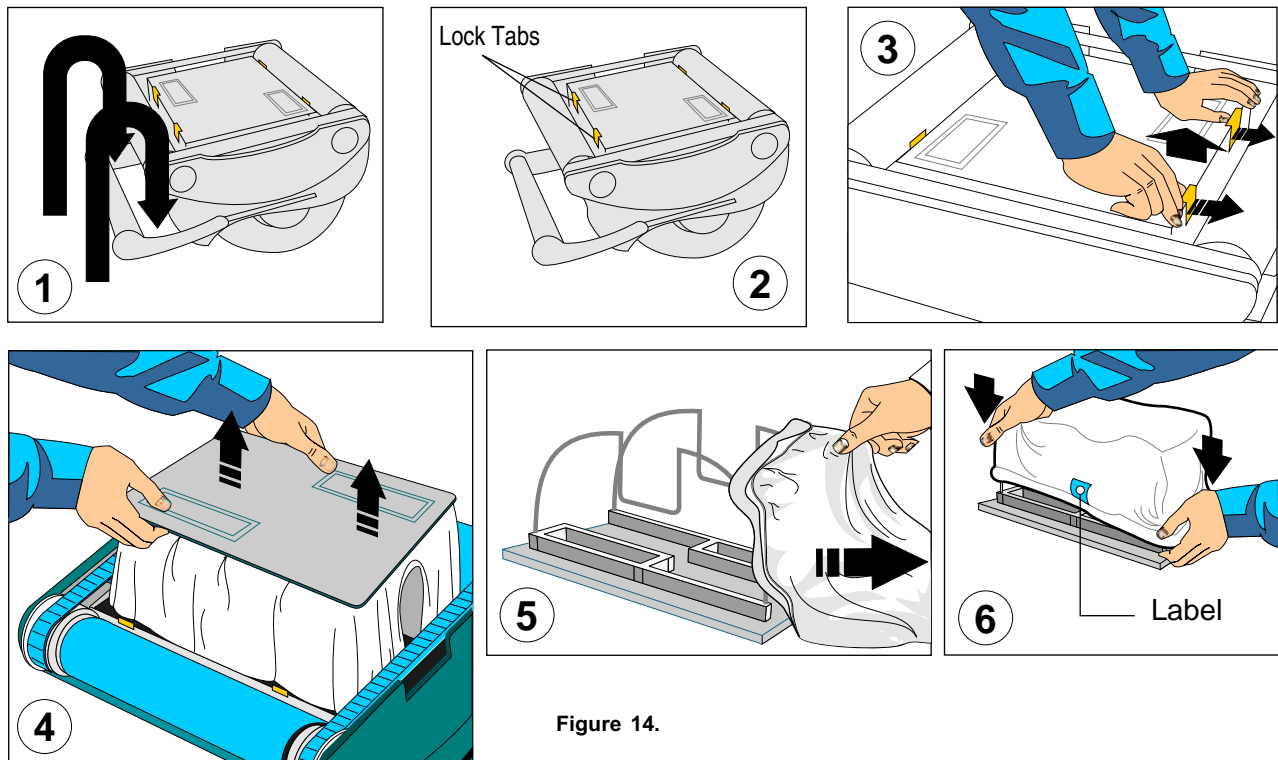


Figure 14.

## Changing the Drive Belts

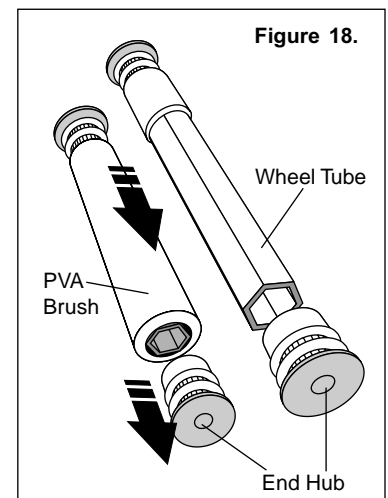
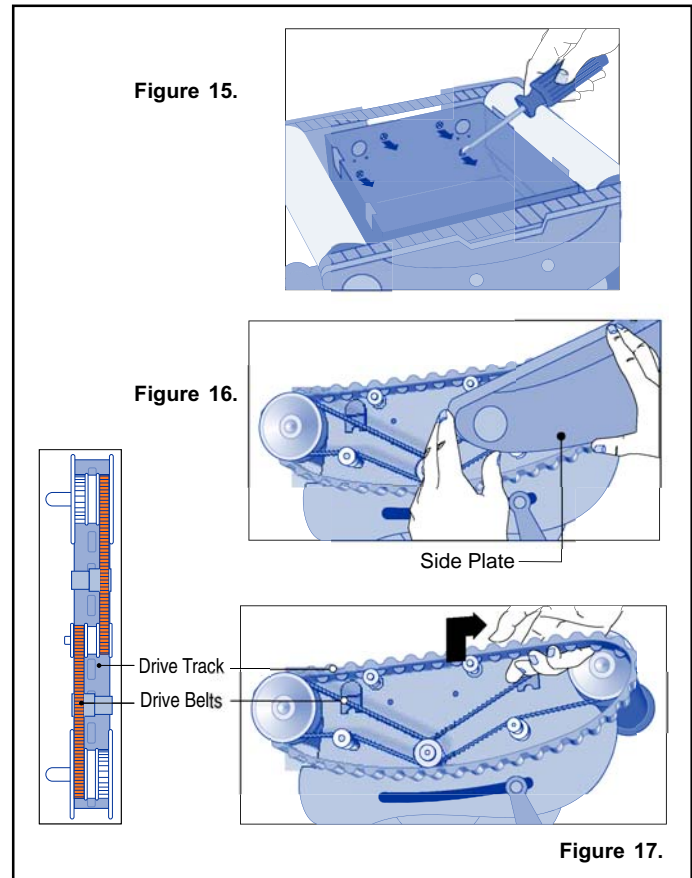
Depending on usage, the drive belts, (located behind the side plate), will stretch. When this happens, in order to maintain the optimum performance of the unit, these drive belts have to be changed.

1. Turn the robot upside down and remove the bottom lid assembly as shown on [page 9](#), Figure 14, Steps 1-4.
2. Inside, locate four screws on drive motor side which hold the side plate in place, see Figure 15.
3. Take out these four screws and remove the side plate, see Figure 16.
4. Remove the drive track. Before removing the drive track, notice how the drive belts are positioned for re-assembly, see Figure 17.
5. Take out the old drive belts and replace them with new ones (P/N P12111). To re-assemble, reverse Steps 4 to 1 above.

## Changing Brushes

It is necessary to replace the brushes when they are worn out, (when the brushes reach the plastic of the wheel). Worn out brushes will impede the cleaner's scrubbing, climbing the walls and/or general performance.

1. Detach one of the side plates by unscrewing the four screws, see Figure 15.
2. With side plate detached, take out the wheel tube from the machine.
3. Remove the end hub and pull out the worn PVA brush, see Figure 18.
4. Place the new PVA brush onto the hexagonal tube and replace the end hub.
5. Re-install the wheel tube in place and reattach the side plate by screwing back- in the four screws.



## Cable Care

The cable may become twisted after a period of use. To correct this condition, simply lock the moveable handle on the top of the cleaner in the opposite diagonal direction. The pool cleaner will now travel in the opposite direction while cleaning your pool and the cable will uncoil. Check the cable periodically for external damage. If the problem persists, use the E-Z Swivel device.

Place the Robot on the ground and unplug the cable from the transformer. With one hand holding the E-Z Swivel, walk away from the Robot, pulling the cable to its full length. The core will rotate inside the cover which will untangle the cable, see Figure 19.

## Important Maintenance Tips

1. Shut off and unplug the power supply every time you remove the cleaner from the water.
2. Clean the filter bag after every cycle.
3. Reverse the handle after every cleaning cycle to avoid tangling the cable.
4. Periodically straighten out the floating cable.
5. Replace worn brushes to ensure maximum cleaning performance.
6. Make sure that your pool cleaner positions itself properly on the wall. The machine handle must rest parallel to the water line upon reaching the surface of the water.
7. Save your cleaner's packaging for off-season storage or for shipping the unit to your dealer if service is required.
8. Store the unit and accessories on the caddy.
9. Leave your pool cleaner in the water for 15 to 20 minutes after every cleaning cycle.
10. **Do not leave your cleaner in direct sunlight when not in use.**
11. **Never leave the power supply in direct sunlight and avoid leaving it in the rain.**
12. Occasionally, you should rinse your cleaner in clean, fresh water. This will lengthen the service life of the drive belts, drive tracks and scrubbing brushes.

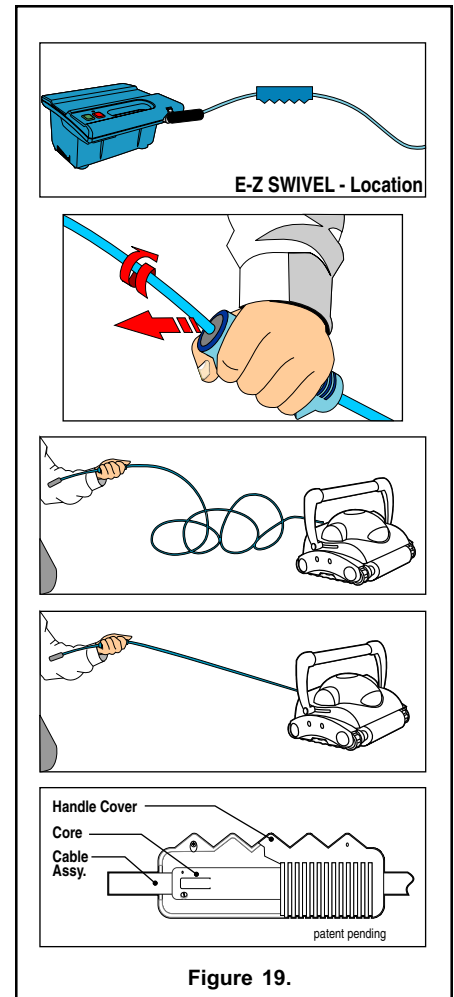


Figure 19.

## In-Season Storage

Do not leave your Prowler™ cleaner in the pool when not in use. Doing so, will reduce the life of your Filter Bag and the Prowler™ cleaner. After removing the Prowler™ cleaner from the pool, you should clean and re-install the Filter Bag. Then, rest the Prowler™ cleaner on its side in a dry shaded area along with its Power Supply and properly coiled Floating Cable.

## Off-Season Storage

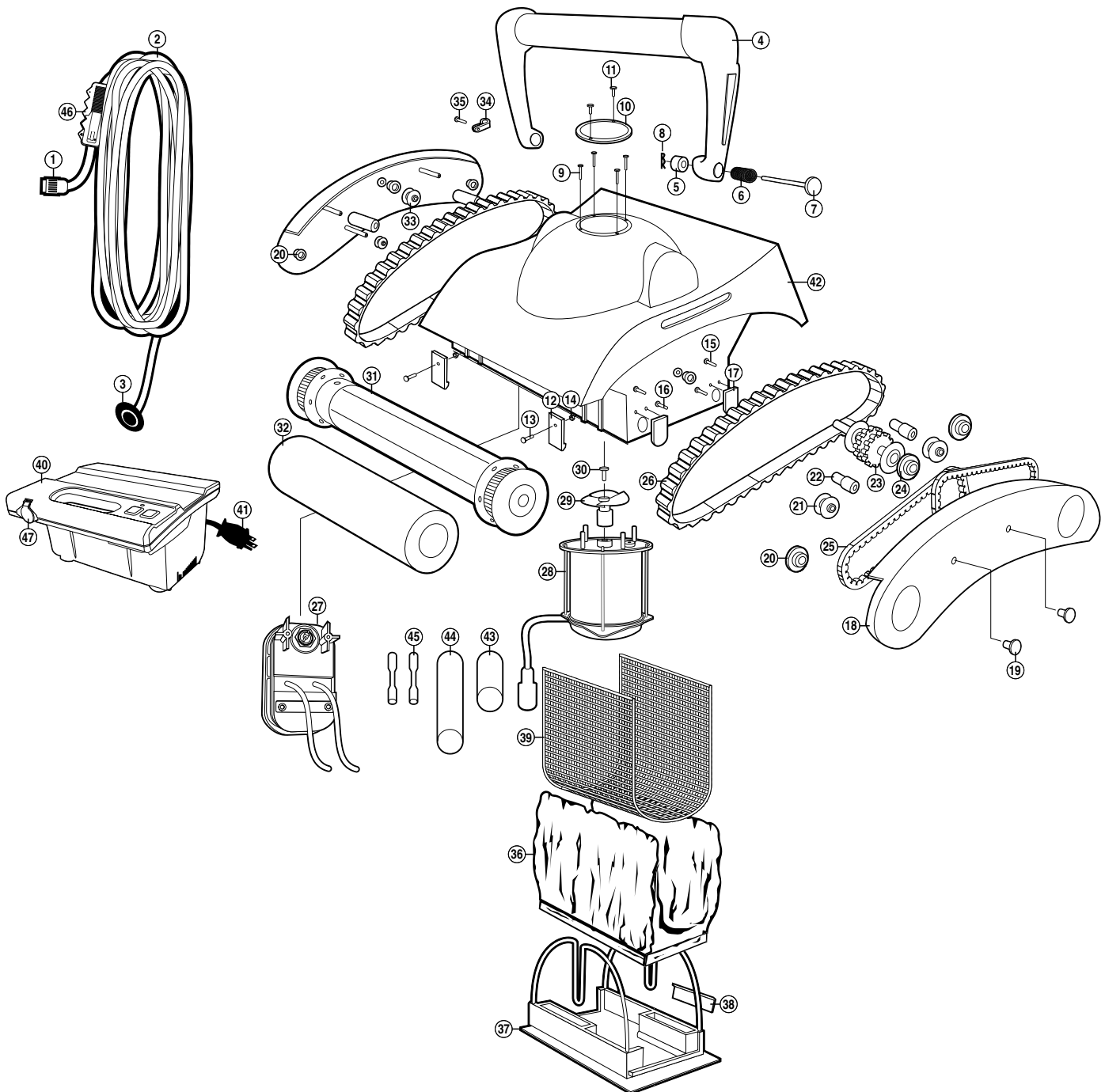
When the Pool Season is over, you should thoroughly clean the Filter Bag. Make sure that there is no water in the Prowler™ cleaner. Completely untangle and then properly coil the Floating Cable. Your Prowler™ cleaner and Power Supply should be stored in a dry, protected area away from freezing temperatures.

# Section 4

---

## Replacement Parts

### Prowler™ 720 Model



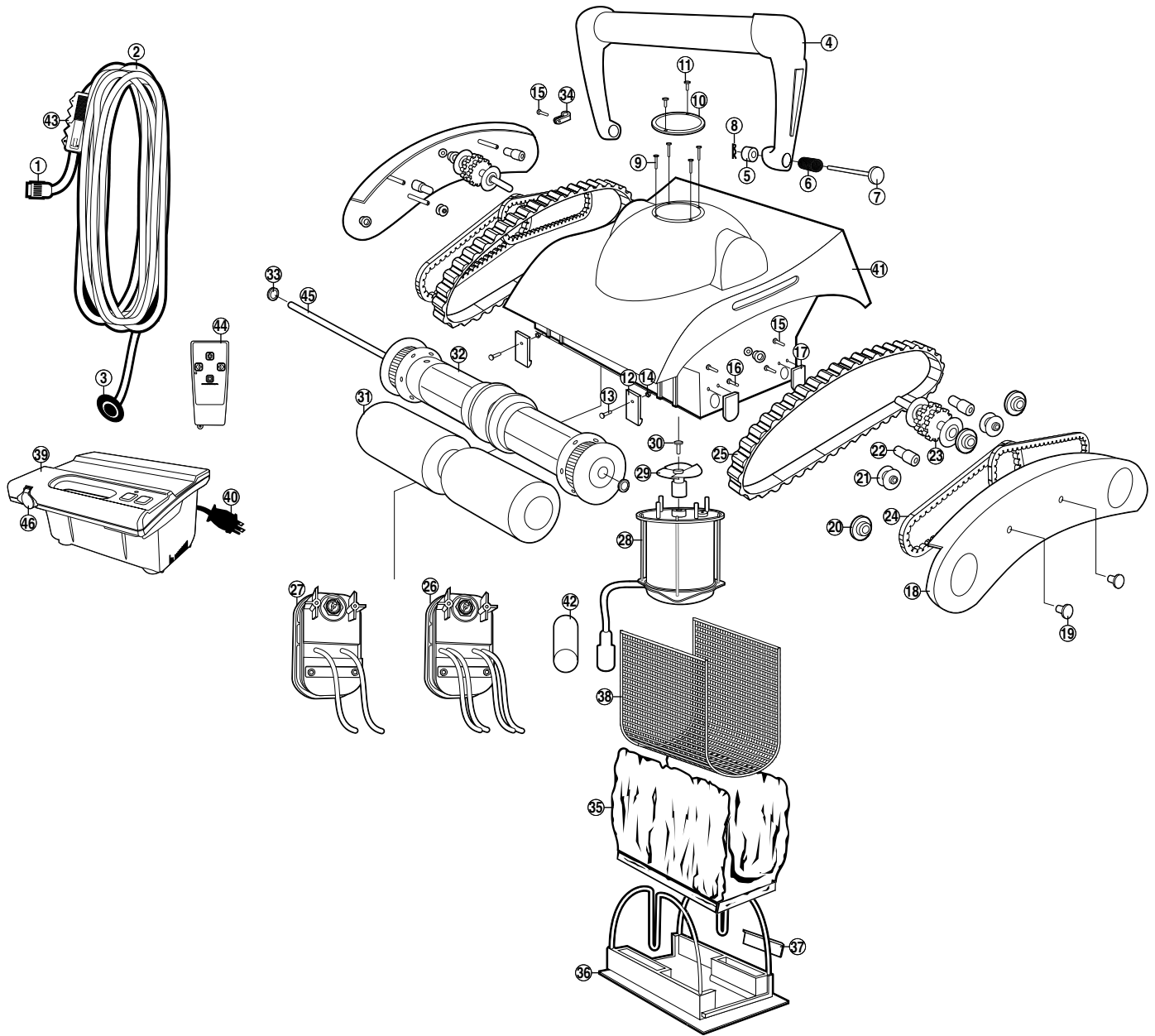


## Replacement Parts List for the Prowler™ 720 Model

ITEM NO.	PART NO.	DESCRIPTION
1	P12100	4 PIN PLUG ❶
2	P12101	CABLE ASSY. - INCLUDES P/N P12100, P12125
3		SEALING GROMMET
4	P12102	HANDLE ASSY. ❶
5		PUSH BUTTON LOCK
6	P12103	SPRING ❶
7		CLEVIS PIN
8		R PIN FOR HANDLE
9		SCREW FOR PUMP
10		OUTLET TOP
11		SCREW (OUTLET TOP)
12	P12104	LOCK TAB ❶
13		SCREW
14	P12105	NUT ❶
15	P12106	SCREW ❶
16	P12107	SCREW ❶
17		RUBBER VALVE
18	P12108	SIDE PLATE ❶
19	P12122	TRIM PANEL ❶
20	P12109	BUSHING ❶
21		SMALL ROLLER
22	P12133	SLEEVE ROLLER ❶
23	P12110	PULLEY ASSY. ❶
24		NYLON BUSHING
25	P12111	DRIVE BELT ❶
26	P12112	DRIVE TRACK ❶
27	P12113	DRIVE MOTOR (1 HR.) - INCLUDES P/N P12125, P12124
28	P12114	PUMP MOTOR - INCLUDES P/N P12123
29		PROPELLER
30		SCREW FOR PROPELLER
31	P12116	WHEEL TUBE ASSY. - HEX
32	P12117	PVA BRUSH
33		LARGE ROLLER
34		P-CLIP
35	P12106	SCREW (P-CLIP) ❶
36	P12118	FILTER BAG ❶
37	P12119	BOTTOM LID ASSY.
38		BOTTOM LID VALVE
39	P12120	FILTER SCREEN ❶
40	P12121	POWER SUPPLY ASSY. (1 HR.)
41		POWER SUPPLY CORD
42	P12115	BODY ASSY. - INCLUDES P/N P12105
43	P12123	SHRINK TUBE - 1 METER ❶
44	P12124	SHRINK TUBE - 1 METER
45	P12125	BUTT CONNECTOR
46		SWIVEL
47		SOCKET

❶ Used on both of the Prowler™ 720 & 730 models.

# Prowler™ 730 Model



## Replacement Parts List for the Prowler™ 730 Model

ITEM No.	PART No.	DESCRIPTION
1	P12100	4 PIN PLUG ❶
2	P12126	CABLE ASSY. - INCLUDES P/N's P12100, P12123
3		SEALING GROMMET
4	P12102	HANDLE ASSY. ❶
5		PUSH BUTTON LOCK
6	P12103	SPRING ❶
7		CLEVIS PIN
8		R PIN FOR HANDLE
9		SCREW FOR PUMP
10		OUTLET TOP
11		SCREW (OUTLET TOP)
12	P12104	LOCK TAB ❶
13		SCREW
14	P12105	NUT ❶
15	P12106	SCREW ❶
16	P12107	SCREW ❶
17		RUBBER VALVE
18	P12108	SIDE PLATE ❶
19	P12122	TRIM PANEL ❶
20	P12109	BUSHING ❶
21		SMALL ROLLER
22	P12133	SLEEVE ROLLER ❶
23	P12110	PULLEY ASSY. ❶
24	P12111	DRIVE BELTS ❶
25	P12112	DRIVE TRACK ❶
26	P12127	DRIVE MOTOR MASTER - INCLUDES P/N P12123
27	P12129	DRIVE MOTOR SLAVE - INCLUDES P/N P12123
28	P12128	PUMP MOTOR - INCLUDES P/N P12123
29		PROPELLER
30		SCREW FOR PROPELLER
31	P12132	PVA BRUSH
32	P12131	WHEEL TUBE ASSY. HEX
33		FLAT NYLON WASHER
34		P-CLIP
35	P12118	FILTER BAG ❶
36		BOTTOM LID ASSY.
37		BOTTOM LID VALVE
38	P12120	FILTER SCREEN ❶
39	P12134	POWER SUPPLY ASSY. 1 HR.
40		POWER SUPPLY CORD
41	P12130	BODY ASSY. - INCLUDES P/N P12115
42	P12123	SHRINK TUBE 1 METER ❶
43		SWIVEL
44	P12137	REMOTE CONTROL
45	P12138	AXLE FOR WHEEL TUBE ASSY.
46		SOCKET

❶ Used on both of the Prowler™ 720 & 730 models.

## SAVE THESE INSTRUCTIONS.

## Notes

## Notes

## Notes



