

# Big Ride

## ASSEMBLY AND INSTALLATION INSTRUCTIONS

**S.R. Smith** LLC™



### **\*\* CAUTION \*\***

S.R. SMITH BIG RIDE SLIDES ARE MANUFACTURED FOR INSTALLATION AND USE ON INGROUND SWIMMING POOLS ONLY. THE BIG RIDE IS NEVER TO BE INSTALLED AND USED ON ABOVEGROUND POOLS, ONGROUND POOLS, HOUSEBOATS, BOAT DOCKS, FLOATING DOCKS OR PLATFORMS OR OTHER BODIES OF WATER SUCH AS LAKES, PONDS, RIVERS, ETC.

CORPORATE HEADQUARTERS  
WESTERN SALES AND MANUFACTURING PLANT  
P.O. Box 400 • 1017 SW Berg Parkway  
Canby, Oregon 97013  
Phone: (503) 266-2231 • Fax: (503) 266-4334  
[www.srsmith.com](http://www.srsmith.com)

## Table of Contents

<u>Topic</u>	<u>Page #</u>
Introduction.....	2
Parts List.....	3
Assembly Instructions.....	4
Manufacturer's Placement Instructions.....	6
Installed Slides' Structural & Installation Checklist.....	8

## **INTRODUCTION**

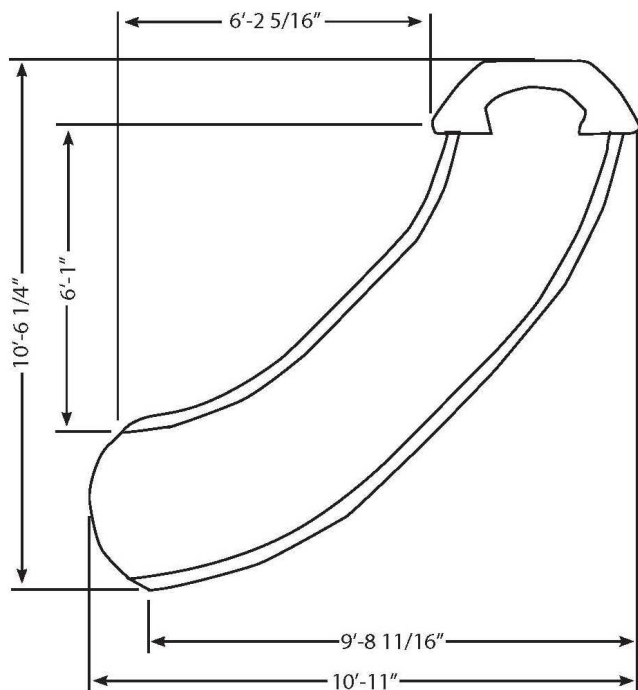
---

The Big Ride slide is designed and manufactured for installation and use on inground swimming pools only. Big Ride slides are NEVER to be installed and used on aboveground pools, onground pools, houseboats, boat docks, floating docks or platforms, or other bodies of water such as lakes, ponds, rivers, etc. Proper and complete assembly, use and supervision are essential for proper operation and to reduce the risk of accident or injury. The Big Ride is designed as a landscape slide and requires special installation considerations; which are unique to each pool.

### **\*\*IMPORTANT\*\***

Check entire boxes and inside all packing materials for parts. Before beginning assembly, read the instructions and identify parts using the figures and parts listed in this document. It is critical that all parts be carefully inspected by the installer prior to installation to ensure that no damage occurred in transit and that a damaged part is not used. Proper installation cannot be overstressed, as an improper installation voids S.R. Smith's warranty and may affect the safety of the user.

<b>Ride Length</b>	<b>17.00'</b>
<b>Centerline Length</b>	<b>14.00'</b>
<b>Starting Elevation</b>	<b>5.50'</b>
<b>Slope</b>	<b>39.29%</b>
<b>Open Flume Width</b>	<b>32.00"</b>
<b>Water Flow</b>	<b>10-45 GPM</b>

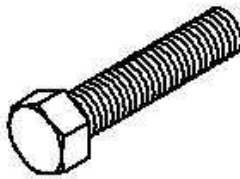


## BIG RIDE PARTS LIST

ITEM #	PART #	DESCRIPTION	QTY.
1	5-145	3/8" Flat Washer S/S	22 ea.
2	5-132	3/8" x 1 3/4" Hex Head Cap Screw S/S	22 ea.
3	5-139	3/8" Hex Nut S/S	22 ea.
4	5-151	3/8" Lock Washer, Split S/S	22 ea.
5	09-707	Sikaflex 291 (10 oz) Gasket Caulk	1 ea.
6	05-31-110	5/16" x 1" Hex Washer Head Screw	7 ea.



(1)



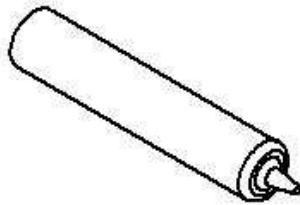
(2)



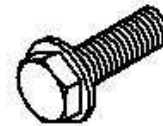
(3)



(4)



(5)



(6)

### Tools Required:

1. Ratchet handle
2. 9/16" deep socket
3. 9/16" wrench
4. Sand paper
5. 1/4" Drill Bit
6. Power Drill
7. Level (Automatic Preferred)

### PVC LEGS (Optional Installation Support, Not Shown)

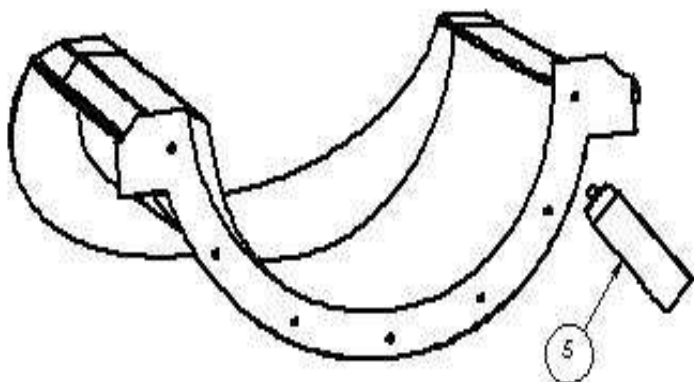
Part Number	Description
1-306-1	PVC Leg #1 – 69.5"
1-306-2	PVC Leg #2 – 73"
1-306-3	PVC Leg #3 – 62"
1-306-4	PVC Leg #4 – 33.5"
1-306-5	PVC Leg #5 – 33"
1-306-6	PVC Leg #6 – 21"
1-306-7	PVC Leg #7 – 22"

## SLIDE PREPARATION

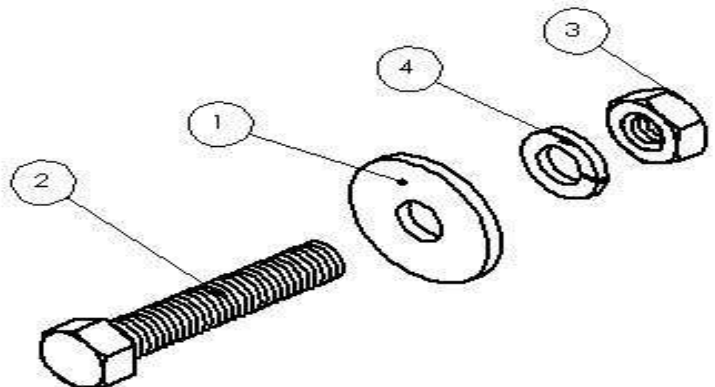
1. All local building codes must be observed and followed.
2. Applicable construction permits must be applied for by builders; S.R. Smith, LLC is not responsible for any permitting of these slides.
3. Make sure to have at least two people capable of handling up to 100 lbs. to assemble the slide.
4. Remove all three sections of the slide from the carton and place near the desired location for the slide.
5. The Big Ride is equipped with a PVC water jet. It is designed to attach to a 2" PVC pipe. No other components of the water system are included.
6. Lightly sand each inside edge of the flanges and then wipe clean.

## ASSEMBLY INSTRUCTIONS

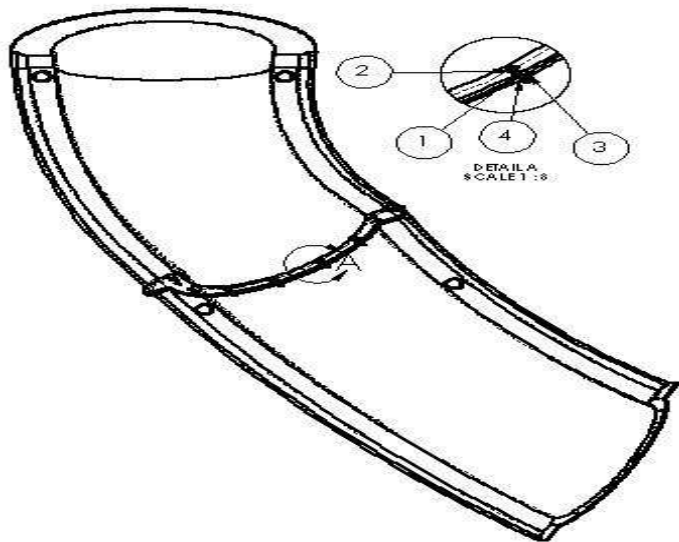
1) Make sure that you have all of the tools and hardware required for the subsequent steps before applying the Sikaflex 291 (5) to the edge. Sikaflex 291 should be spread on the section flange about an inch below the slide runway surface. Each application of Sikaflex 291 should be approximately five ounces, or half of the caulking tube. After applying the Sikaflex 291 to the exit section flange, press the exit section to the middle section. The Sikaflex 291 curing time varies depending on climate; the more heat and humidity, the quicker the Sikaflex will cure.



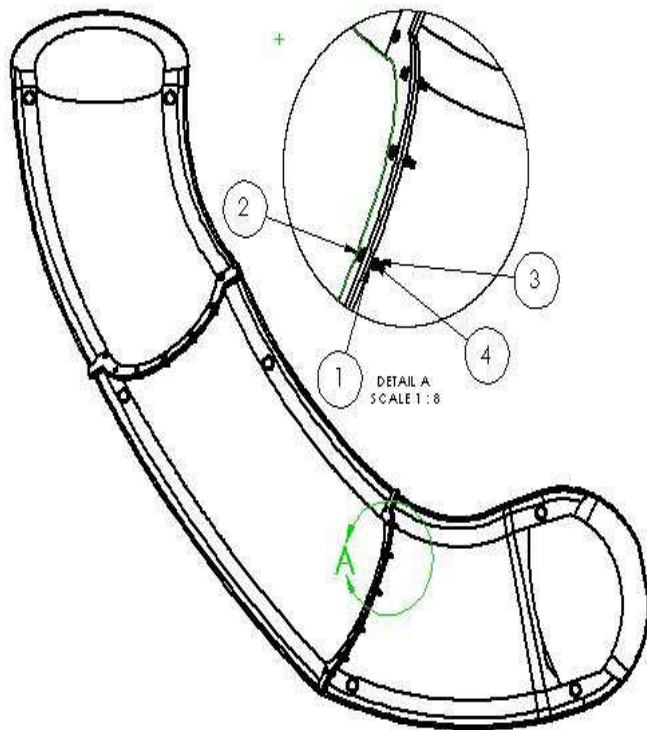
2) You should place eleven 3/8" x 1 3/4" Hex Head Bolts (2) through the connection of the exit and middle sections to make sure that holes line up properly. The bolts should all face the same direction, with the head of the bolt pointed towards the slide exit. After the bolts are placed through both sections, check to make sure that the slide runway is smooth, and that any lip should be higher on the upper section of the slide. Then place the 3/8" Flat Washer (1) and 3/8" Lock Washer (4) on the bolts and tighten the 3/8" Hex Nut (3) from both sides with the ratchet and wrench. If the slide pieces do not line up properly, you can clamp them, with three C-clamps, so that the slide runway is smooth, and then drill two new alignment holes and tighten them before adding the other bolts.



3) This should be repeated for all eleven bolts on the exit and middle connecting flanges. When all of the bolts are tight, check the runway for any Sikaflex 291 that is protruding from the crack between the two sections. This should be wiped away before it is allowed to set.

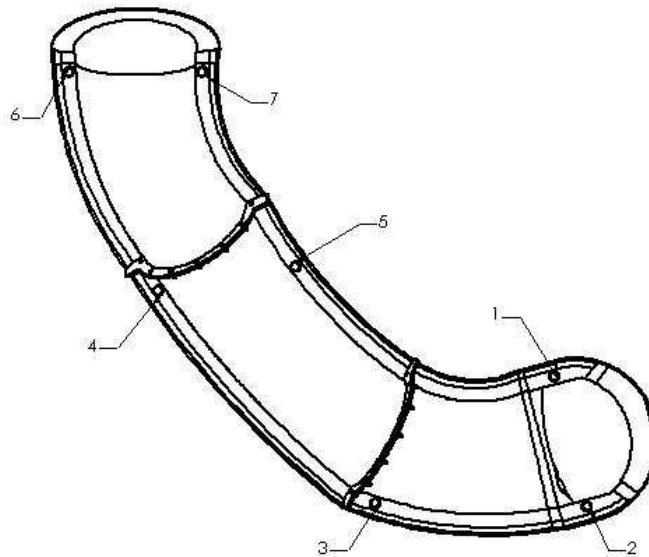


4) For the platform section, apply Sikaflex 291 to the outside flange and then press against the other end of the middle section. Repeat Steps 2-3 for the connection between the middle and platform sections.



## **INSTALLATION INSTRUCTIONS**

1. Place the assembled BigRide slide on the deck relative to the pool wall. Ensure that the exit flume clears any coping. Slide may be angled slightly providing all dimensions are maintained as noted in the **Manufacturer's Placement Instructions** noted in the following section.
2. **THE PVC LEGS ARE NOT MEANT AS THE SUPPORT STRUCTURE FOR THE SLIDE. The BigRide is designed as a landscape slide and should be installed by a professional. The PVC legs are only designed to be used for placement and installation, and may not be used as the slides primary means of support.**
3. If use of the PVC legs is desired, place the corresponding leg in to each of the numbered sockets from **FIG. 1**. (The left hand slide is shown, for a right hand slide the legs are the same length but will be placed on the opposite side of the slide.)



Location of Sockets

FIG. 1

4. Level slide in two perpendicular positions from the seat of the top platform. Adjust the legs until the slide is level. Then drill a hole through the existing hole in the PVC sockets and into the PVC leg. Then tighten the self tapping screw (6) through both pieces of PVC. Do this with the longer legs first, and then continue towards the exit section of the slide.

## MANUFACTURER'S PLACEMENT INSTRUCTIONS

1. The critical dimensions for placement of the Big Ride are as shown in **FIG.'S 2 and 3**.
  - A. The slide exit runway surface shall not exceed twenty inches (20") above the water surface as shown in **FIG. 2**. (Local guidelines may indicate a lower maximum height, please verify with local codes.)
  - B. The slide shall be positioned so that all water flowing off the runway exit drops into the pool. The recommended overhang is 4 inches.
  - C. The minimum depth of water below the exit lip of the slide shall be three feet (3') and increase to three feet six inches (3'-6") at Pt. A, which is a distance of four feet six inches (4'-6") from the exit lip of the slide as shown in **FIG. 2**.
  - D. A minimum depth of three feet six inches (3'-6") shall be maintained at a distance of nine feet (9') along the extended centerline of the slide from Pt. A. as shown in **FIG. 2**.

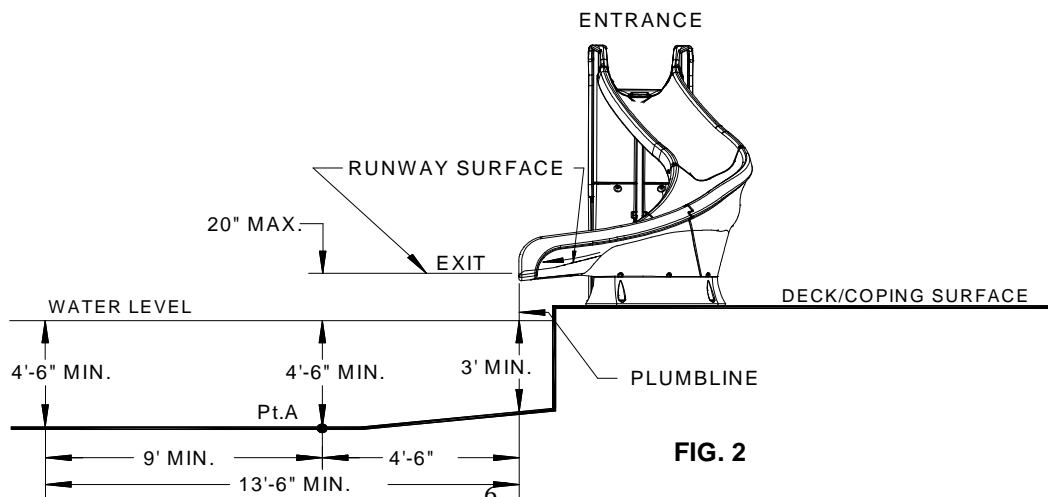


FIG. 2

2. A minimum clearance area in front of the slide shall be maintained at all times as follows:

- A. The minimum clearance distance on either side of the extended centerline of the slide runway shall not be less than three feet six inches (3'-6") at a point no less than two feet six inches (2'-6") from the exit lip of the slide and extending a distance of thirteen feet six inches (13'-6") in front of the slide as shown in FIG. 3.
- B. The minimum clearance area in front of a properly installed diving board on an inground swimming pool is a minimum distance of three feet six inches (3'-6") on either side of the board's centerline as shown in FIG. 4. Pt. C extends a minimum distance of "C" from the tip end of the board as shown in FIG. 4. The width distance "W" on either side of Pt. C is given in CHART 1 and shown in FIG. 4.

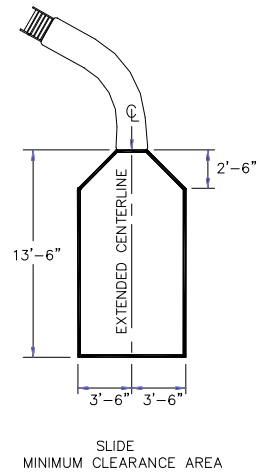


FIG. 3

**CHART 1**

BOARD MINIMUM CLEARANCE AREA		
POOL TYPE	"C" DIMENSION	"W" DIMENSION
I	14'-6"	5'-0"
II	14'-6"	6'-0"
III	16'-6"	6'-0"
IV	18'-6"	7'-6"
V	21'-0"	7'-6"

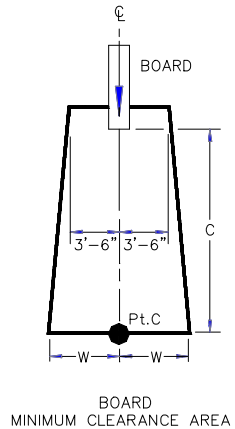


FIG. 4

See Article 5 contained in ANSI/APSP/ICC-5 2011 STANDARD FOR RESIDENTIAL INGROUND SWIMMING POOLS and refer to FIGURE 3 and Table 1 for Minimum Water Envelope Dimensions AB, BC and Width at Point C.

"C" DIMENSION FOR BOARD = AB + BC  
 "W" DIMENSION FOR BOARD = WIDTH AT PT.C

- C. The minimum clearance area of a slide or diving board shall not intersect any coping or rope and float line as shown in FIG. 5. The minimum clearance area of a slide or diving board may intersect each other provided that they are not used simultaneously.

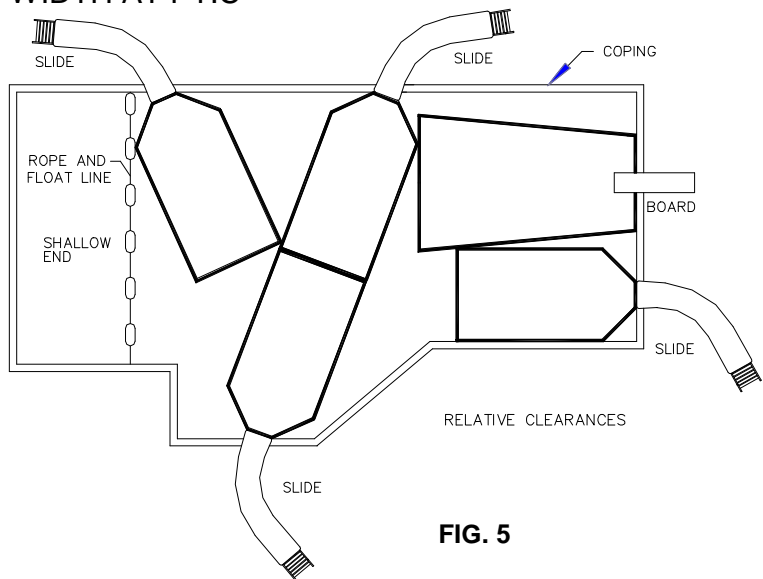


FIG. 5

## **INSTALLED BIG RIDE STRUCTURAL & INSTALLATION CHECKLIST**

1. Inspect the runway for visible cracks or tears.
2. Inspect all fasteners to make sure they are fully tightened.
3. Measure the following dimensions and compare with the Manufacturer's Placement Instructions on pages 6 and 7.
  - a. Measure the depth of water in front of the slide exit. (3'-6" min. depth at a distance of 4'-6" from exit of slide.)
  - b. Measure the height of the slide runway exit above the water. (20" max.)
  - c. Measure the distance between the slide centerline and edge of other pool equipment.
4. Observe the position of the exit of the slide as shown in **FIG.'S 2, 3 and 5** on pages 6 and 7.

### **IMPORTANT**

**PERSONALLY GIVE TO SLIDE OWNER THE BIG RIDE OWNER'S MANUAL,  
THE WARRANTY CARD AND ANSWER ALL QUESTIONS.**